

Wood-Mizer®

Parts Manual

LT20 Series AH
LT20 Series DH

rev. E3.01
rev. E2.02



Safety is our #1 concern! Read and understand all safety information and instructions before operating, setting up or maintaining this machine.

Form #620

Table of Contents

Section-Page

| | | |
|------------------|---|------------|
| SECTION 1 | GENERAL INFORMATION | 1-1 |
| 1.1 | How To Use The Parts List | 1-1 |
| 1.2 | Sample Assembly | 1-1 |
| SECTION 2 | BLADE GUIDE ASSEMBLIES | 2-1 |
| 2.1 | Blade Guide Assembly, Idle Side..... | 2-1 |
| 2.2 | Blade Guide Assembly, Drive Side..... | 2-2 |
| 2.3 | Blade Guide Arm Assembly..... | 2-3 |
| 2.4 | Blade Guide Arm w/Guard | 2-4 |
| 2.5 | Blade Guide Arm Drive..... | 2-5 |
| SECTION 3 | BLADE WHEELS & TENSIONER | 3-1 |
| 3.1 | Blade Wheel Assembly, Drive Side | 3-1 |
| 3.2 | Blade Wheel Assembly, Idle Side | 3-2 |
| 3.3 | Blade Tensioner Assembly | 3-4 |
| SECTION 4 | SAW HEAD | 4-1 |
| 4.1 | Middle Throat Screw..... | 4-1 |
| 4.2 | Drive Belt Tensioner, DC Sawmills..... | 4-2 |
| 4.3 | Water Lube Assembly | 4-4 |
| 4.4 | Blade Lube System..... | 4-6 |
| 4.5 | LT20AC Saw Head Decals | 4-7 |
| 4.6 | LT20DC Saw Head Decals | 4-9 |
| 4.7 | Blade Housing Cover | 4-11 |
| 4.8 | Control Box (AC Sawmills)..... | 4-13 |
| 4.9 | Control Box (DC Sawmills)..... | 4-15 |
| 4.10 | Drum Switches | 4-17 |
| 4.11 | Sawdust Chute | 4-18 |
| 4.12 | Up/Down Cable Chain Assembly | 4-19 |
| 4.13 | LT20 Saw Head Rest Pin Assembly | 4-20 |
| 4.14 | Saw Head Rest Pin Assembly (LT20ME15SAH3 - 1.8 Sawmills)..... | 4-21 |
| 4.15 | Saw Head Rest Pin Assembly (LT20ME15SAH7-2.2 Sawmills)..... | 4-22 |
| 4.16 | Saw Head Rest Pin Assembly (LT20MD22SDH7-2.5 Sawmills) | 4-23 |
| SECTION 5 | UP/DOWN ASSEMBLY | 5-1 |
| 5.1 | Up/Down Assembly, AC Mills | 5-1 |
| 5.2 | Up/Down Assembly, DC Mills | 5-3 |
| 5.3 | Up/Down Chain Tensioner Assembly..... | 5-5 |
| 5.4 | Battery Box Assembly (DC Sawmills) | 5-6 |

Table of Contents

Section-Page

SECTION 6 UP/DOWN ROLLERS & BLADE HEIGHT SCALE

6-1

| | | |
|-----|--------------------------|-----|
| 6.1 | Up/Down Rollers..... | 6-2 |
| 6.2 | Blade Height Scale | 6-4 |
| 6.3 | Limit Switches..... | 6-6 |

SECTION 7 POWER FEED & TRACK ROLLERS

7-1

| | | |
|-----|--------------------------------------|-----|
| 7.1 | Power Feed Assembly, AC Mills | 7-1 |
| 7.2 | Power Feed Assembly, DC Mills | 7-3 |
| 7.3 | Upper Track Rollers And Wipers | 7-5 |
| 7.4 | Lower Track Rollers | 7-7 |

SECTION 8 BED FRAME ASSEMBLY

8-1

| | | |
|------|--|------|
| 8.1 | Bed Rail Assembly, Front (S/M Type Frame) | 8-1 |
| 8.2 | Bed Rail Assembly, Rear (S/M Type Frame) | 8-2 |
| 8.3 | Bed Rail Assembly, Front Middle (S/M Type Frame)..... | 8-3 |
| 8.4 | Bed Rail Assembly, Rear Middle (S/M Type Frame)..... | 8-4 |
| 8.5 | Bed Rail Assembly (L Type Frame) | 8-5 |
| 8.6 | Bed Rail Assembly (L Type Frame) | 8-6 |
| 8.7 | Bed Rail Assembly (L Type Frame) | 8-7 |
| 8.8 | Leg, Stationary (S & M Type Frame) | 8-8 |
| 8.9 | Angled Bed Rails for "M" Frame | 8-10 |
| 8.10 | Leg, Stationary (L Type Frame)..... | 8-12 |
| 8.11 | Stationary Legs for "M" Frame | 8-13 |
| 8.12 | Stationary Legs for "S" Frame | 8-15 |
| 8.13 | Pivot Bed Rail Assembly..... | 8-17 |
| 8.14 | Log Side Support Assembly | 8-19 |
| 8.15 | Tie Down Chain Assembly | 8-21 |
| 8.16 | Inspection Platform (DC Mills Only)..... | 8-22 |
| 8.17 | Inspection Platform For M Frame With Power Roller | 8-23 |
| 8.18 | Remote Equipment for Installation on a Wall (Cutting Length of 6.5 m) | 8-24 |
| 8.19 | Remote Equipment for Installation on a Wall (Cutting Length of 6.5-10 m) | 8-25 |
| 8.20 | Guide Rail Support Post | 8-26 |
| 8.21 | Guide Rail Support Post | 8-28 |
| 8.22 | 4-Post Remote Set | 8-30 |
| 8.23 | 5-Post Remote Set | 8-31 |
| 8.24 | Octagonal Profile Sawing Tool (Option) | 8-32 |
| 8.25 | Bed Frame Decals..... | 8-33 |

Table of Contents

Section-Page

SECTION 9 HYDRAULIC SYSTEM

9-1

| | | |
|---|---|------|
| 9.1 | Hydraulic System, LT20 Series A/DH | 9-1 |
| 9.2 | Hydraulic Hoses, LT20 Series A/DH | 9-2 |
| Protective Conduits, LT20 Series A/DH Hydraulic Hoses | | |
| 9.3 | Hydraulic Hose Kit for MBX12/24H Bed Extensions, "M" Frame AH Sawmills ... | 9-3 |
| 9.4 | Hydraulic Hose Hanger Kit, "M" Frame (AH1-3), MBX12/24H1-4 | 9-5 |
| 9.5 | Hydraulic Hose Hanger Kit, "M" Frame (AH4-7), MBX12/24H5-6 | 9-6 |
| 9.6 | LT20 Hydraulic Boxes | 9-7 |
| 9.7 | Hydraulic Control Box, LT20 Series AH3 | 9-8 |
| 9.8 | Hydraulic Control Box, LT20 Series AH5/7 | 9-11 |
| 9.9 | Hydraulic Control Box, LT20 Series DH3 | 9-14 |
| 9.10 | Hydraulic Control Box, LT20 Series DH5/7 | 9-17 |
| 9.11 | Hydraulic Control Box, AC 16-Section LT20/40/70 | 9-19 |
| 9.12 | Hydraulic Control Box, AC 10-Section LT20/40/70 | 9-22 |
| 9.13 | Hydraulic Power Supply Strip, DC | 9-25 |
| 9.14 | Positive Contact Assembly | 9-26 |
| 9.15 | Ground Contact Assembly | 9-27 |
| 9.16 | Hydraulic Power Supply Strip | 9-28 |
| 9.17 | Hydraulic System Switch (AC) | 9-29 |
| 9.18 | Hydraulic Log Loader | 9-30 |
| 9.19 | Hydraulic Log Loader for S, M and M Super Frames w/2.5 t. and 2.6 t Trailers... | 9-32 |
| 9.19 | | 9-32 |
| 9.19 | | 9-32 |
| 9.20 | Hydraulic Log Turner | 9-34 |
| 9.21 | Hydraulic Log Turner (LT20 Super, Remote) | 9-36 |
| 9.22 | Hydraulic Log Side Support | 9-38 |
| 9.23 | Main Hydraulic Log Clamp (2 Rods) | 9-40 |
| 9.24 | Hydraulic Log Clamp - Main | 9-42 |
| 9.25 | Hydraulic Pull-Down Clamp | 9-44 |
| 9.26 | Hydraulic Toe Board | 9-46 |
| 9.27 | Right Hydraulic Toe Board | 9-48 |
| 9.28 | Driven Log Levelling Roller (mounted on lower bed rail) | 9-49 |
| 9.29 | Driven Log Levelling Roller, Lower Bed Rail (Option) | 9-51 |
| 9.30 | Left Hydraulic Toe Board (mounted on lower bed rail) | 9-53 |
| 9.31 | Driven Log Levelling Roller, Right w/2 Cylinders (Option) | 9-54 |
| 9.32 | Driven Log Levelling Roller, Left w/2 Cylinders | 9-56 |



SECTION 1 GENERAL INFORMATION

1.1 How To Use The Parts List

- Use the index above to locate the assembly that contains the part you need.
- Go to the appropriate section and locate the part in the illustration.
- Use the number pointing to the part to locate the correct part number and description in the table.
- Parts shown indented under another part are included with that part.
- Parts marked with a diamond (◆) are only available in the assembly listed above the part.

See the sample table below. Sample Part #A01111 includes part F02222-2 and subassembly A03333. Subassembly A03333 includes part S04444-4 and subassembly K05555. The diamond (◆) indicates that S04444-4 is not available except in subassembly A03333. Subassembly K05555 includes parts M06666 and F07777-77. The diamond (◆) indicates M06666 is not available except in subassembly K05555.

| 1.2 Sample Assembly | | | | |
|---------------------|---|-----------|-----|---|
| REF. | DESCRIPTION (◆ Indicates Parts Available In Assemblies Only) | PART # | QTY | |
| | Sample Assembly, Complete (Includes All Indented Parts Below) | A01111 | 1 | |
| 1 | Sample Part | F02222-22 | 1 | |
| | Sample Subassembly (Includes All Indented Parts Below) | A03333 | 1 | |
| 2 | Sample Part (◆ Indicates Part Is Only Available With A03333) | S04444-4 | 1 | ◆ |
| | Sample Subassembly (Includes All Indented Parts Below) | K05555 | 1 | |
| 3 | Sample Part (◆ Indicates Part Is Only Available With K05555) | M06666 | 2 | ◆ |
| 4 | Sample Part | F07777-77 | 1 | |

To Order Parts:

- From Europe call our European Headquarters and Manufacturing Facility in Kolo, Poland at **+48-63-2626000**. From the continental U.S., call our toll-free Parts hotline at **1-800-525-8100**. Have your customer number, vehicle identification number, and part numbers ready when you call. From other international locations, contact the Wood-Mizer distributor in your area for parts.

Office Hours:

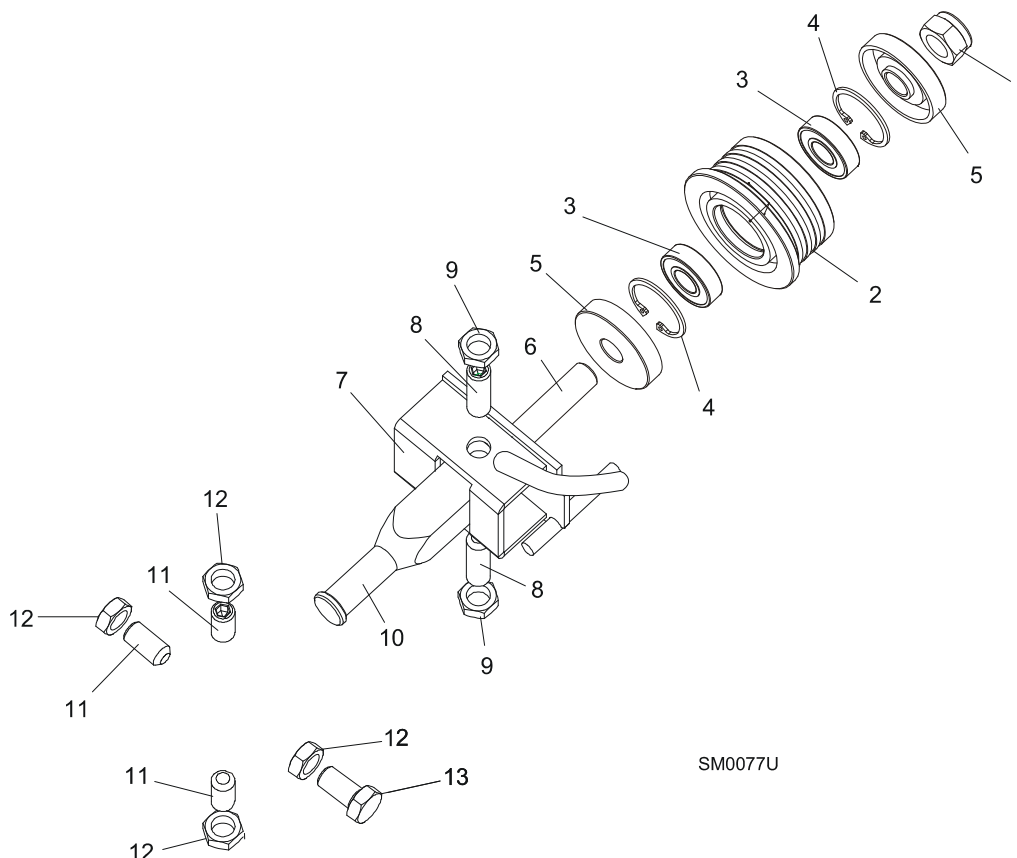
| Country | Monday - Friday | Saturday | Sunday |
|---------|-----------------|-----------------|--------|
| Poland | 7-15 | Closed | Closed |
| US | 8 a.m.- 5 p.m. | 8 a.m.- 12 p.m. | Closed |



CAUTION! It is strongly recommended that only original spare parts be used.

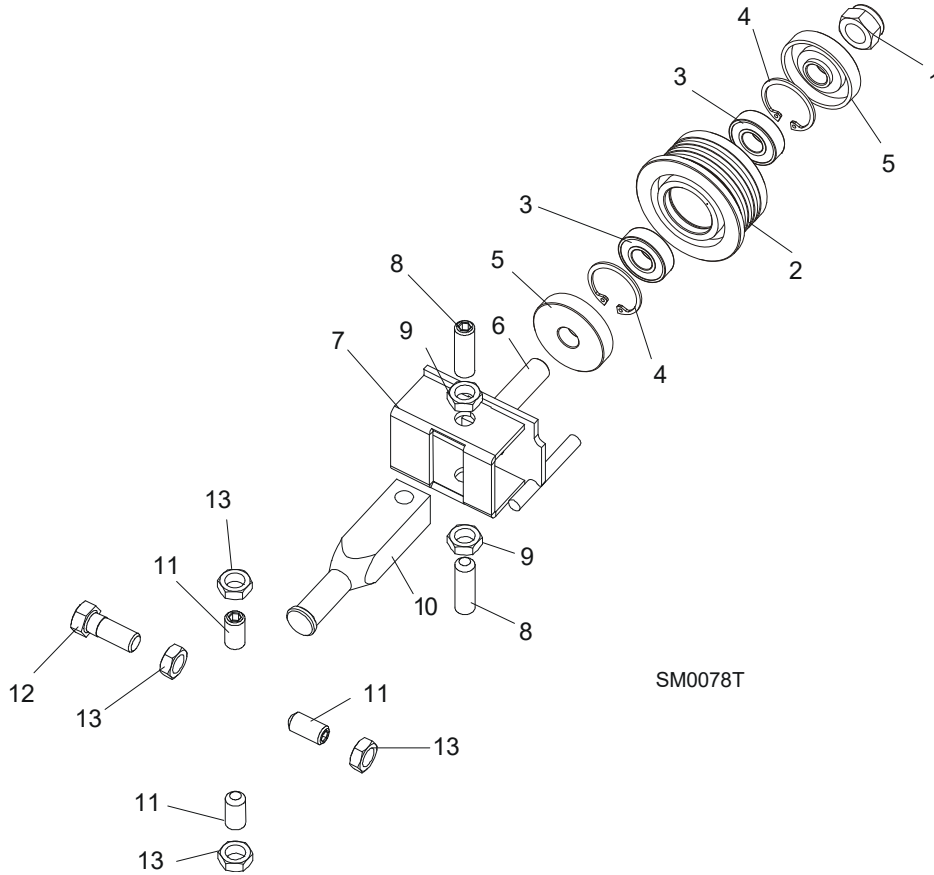
SECTION 2 BLADE GUIDE ASSEMBLIES

2.1 Blade Guide Assembly, Idle Side



| REF. | DESCRIPTION (◆ Indicates Parts Available in Assemblies Only) | PART # | QTY | |
|------|--|-----------|-----|---|
| | BLADE GUIDE ASSEMBLY, IDLE SIDE | 094683 | 1 | |
| | Roller, Blade Guide Complete Standard | 087887 | 1 | |
| 1 | Nut, M12-8 Hex Nylon Zinc Lock | F81034-2 | 1 | |
| 2 | Roller, Blade Guide Narrow | 087889 | 1 | ◆ |
| 3 | Bearing, 6001 2RSR FAG | 087893 | 2 | |
| 4 | Ring, W28 Inside Retaining | F81090-9 | 1 | |
| 5 | Washer, Zinc-plated Spacer | 087891-1 | 2 | |
| 6 | Shaft, Blade Guide Roller Zinc-plated | 087763-1 | 1 | |
| 7 | Bracket Weldment, Idle Side Blade Guide | 094681-1 | 1 | |
| 8 | Screw, M10x1x40 DIN 913 A2-70 Stainless Steel Set | F81015-2 | 2 | |
| 9 | Nut, M10x1-04-ST-A2 ISO 8675 Thin | F81033-10 | 2 | |
| 10 | Shaft, Blade Guide Mount Zinc-Plated | 503588-1 | 1 | |
| 11 | SCREW, M10X1X25 DIN 913 STAINLESS STEEL SET | F81015-4 | 3 | |
| 12 | NUT, M10x1-04-ST-A2 ISO 8675 THIN | F81033-10 | 4 | |
| 13 | BOLT, M10X1X25 DIN 933 STAINLESS STEEL | F81003-28 | 1 | |

2.2 Blade Guide Assembly, Drive Side

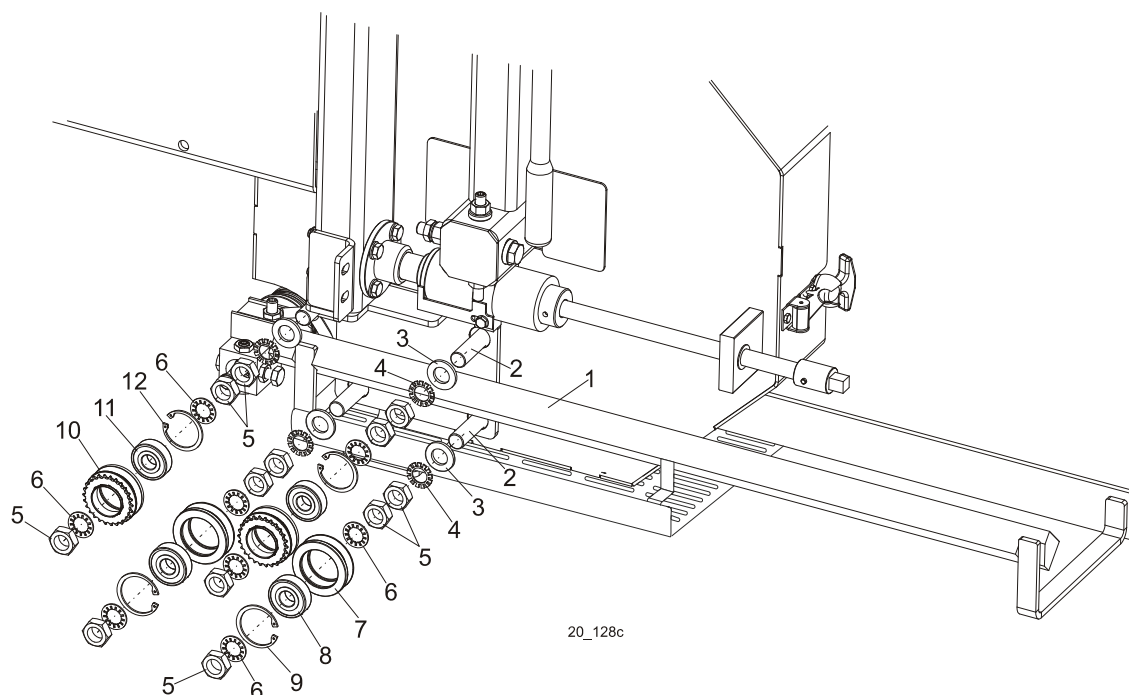


| REF. | DESCRIPTION (◆ Indicates Parts Available in Assemblies Only) | PART # | QTY |
|------|---|-----------|-----|
| | BLADE GUIDE ASSEMBLY, DRIVE SIDE | 094682 | 1 |
| | Roller, Blade Guide Complete Standard | 087887 | 1 |
| 1 | Nut, M12-8 Hex Nylon Zinc Lock | F81034-2 | 1 |
| 2 | Roller, Blade Guide Narrow | 087889 | 1 |
| 3 | Bearing, 6001 2RSR FAG | 087893 | 2 |
| 4 | Ring, W28 Inside Retaining | F81090-9 | 1 |
| 5 | Washer, Zinc-plated Spacer | 087891-1 | 2 |
| 6 | Shaft, Blade Guide Roller Zinc-plated | 087763-1 | 1 |
| 7 | Bracket Weldment, Blade Guide | 094679-1 | 1 |
| | Screw Kit, Blade Guide Adjustment w/Nuts (for two blade guide assemblies) | K09942 | 1 |
| 8 | Screw, M10x1x40 DIN 913 A2-70 Stainless Steel Set | F81015-2 | 2 |
| 9 | Nut, M10x1-04-ST-A2 ISO 8675 Thin | F81033-10 | 2 |
| 10 | Shaft, Blade Guide Mount Zinc-Plated | 503588-1 | 1 |
| 11 | SCREW, M10X1X25 DIN 913 STAINLESS STEEL SET | F81015-4 | 3 |
| 12 | BOLT, M10X1X25 DIN 933 STAINLESS STEEL | F81003-28 | 1 |
| 13 | NUT, M10x1-04-ST-A2 ISO 8675 THIN | F81033-10 | 4 |

2 Blade Guide Assemblies

Blade Guide Arm Assembly

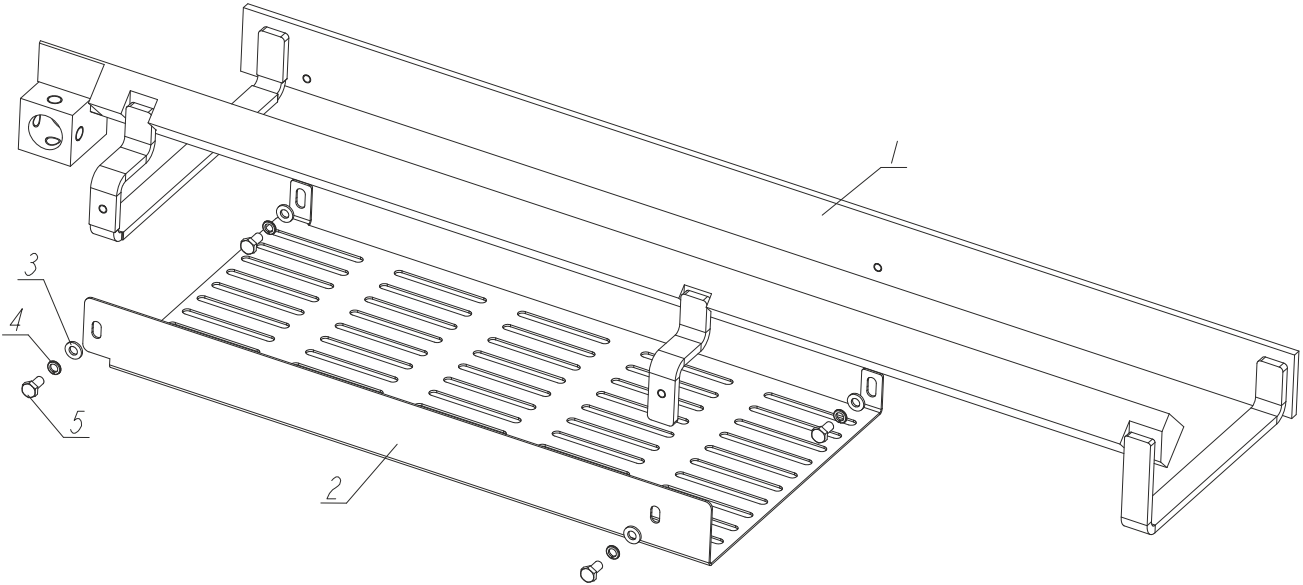
2.3 Blade Guide Arm Assembly



| REF. | DESCRIPTION (◆ Indicates Parts Available in Assemblies Only) | PART # | QTY | |
|------|--|-----------|-----|---|
| 1 | ARM, BLADE GUIDE W/GUARD | 525591 | 1 | |
| 2 | BOLT WELDMENT, BLADE GUIDE ECCENTRIC | 086508-1 | 4 | |
| 3 | WASHER, 17 FLAT ZINC | F81058-1 | 4 | |
| 4 | WASHER, 5/8 STAR ET | F05011-26 | 4 | |
| 5 | NUT, 5/8-18 HEX JAM | F05010-11 | 12 | |
| 6 | WASHER, 5/8 STAR IT | F05011-25 | 8 | |
| | ROLLER ASSEMBLY, V-GROOVE WITH BEARING | 093855 | 2 | |
| 7 | Roller, Blade Guide Arm V-Groove | 093856-1 | 1 | ◆ |
| 8 | Bearing, 6203 2RSP6-5/8 CX | 095087 | 1 | |
| 9 | Ring, W40 Inside Retaining | F81090-3 | 1 | |
| | ROLLER ASSEMBLY, V-GROOVE W/SPROCKET | 501496 | 2 | |
| 10 | Roller, Zinc-Plated w/Sprocket | 501495-1 | 1 | ◆ |
| 11 | Bearing, 6203 2RSP6-5/8 CX | 095087 | 1 | |
| 12 | Ring, W40 Inside Retaining | F81090-3 | 1 | |

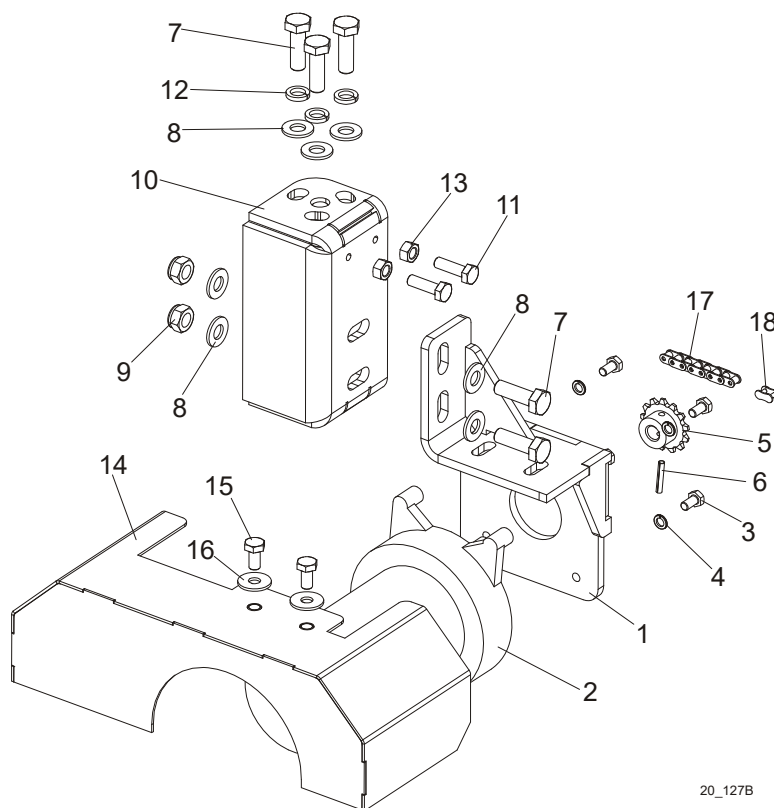
2.4 Blade Guide Arm w/Guard

525591_001
 525591_MANUAL



| REF. | DESCRIPTION (◆ Indicates Parts Available in Assemblies Only) | PART # | QTY | |
|------|--|----------|-----|--|
| - | ARM, LT20 BLADE GUIDE W/GUARD | 525591 | 1 | |
| 1 | ARM, LT20 BLADE GUIDE | 524302-1 | 1 | |
| 2 | GUARD, BOTTOM | 524305-1 | 1 | |
| 3 | WASHER, 6.4 FLAT ZINC | F81053-1 | 4 | |
| 4 | WASHER, Z 6.1 SPLIT LOCK ZINC | F81053-3 | 4 | |
| 5 | BOLT, M6X12 8.8 HEX HEAD FULL THREAD ZINC | F81001-7 | 4 | |

2.5 Blade Guide Arm Drive

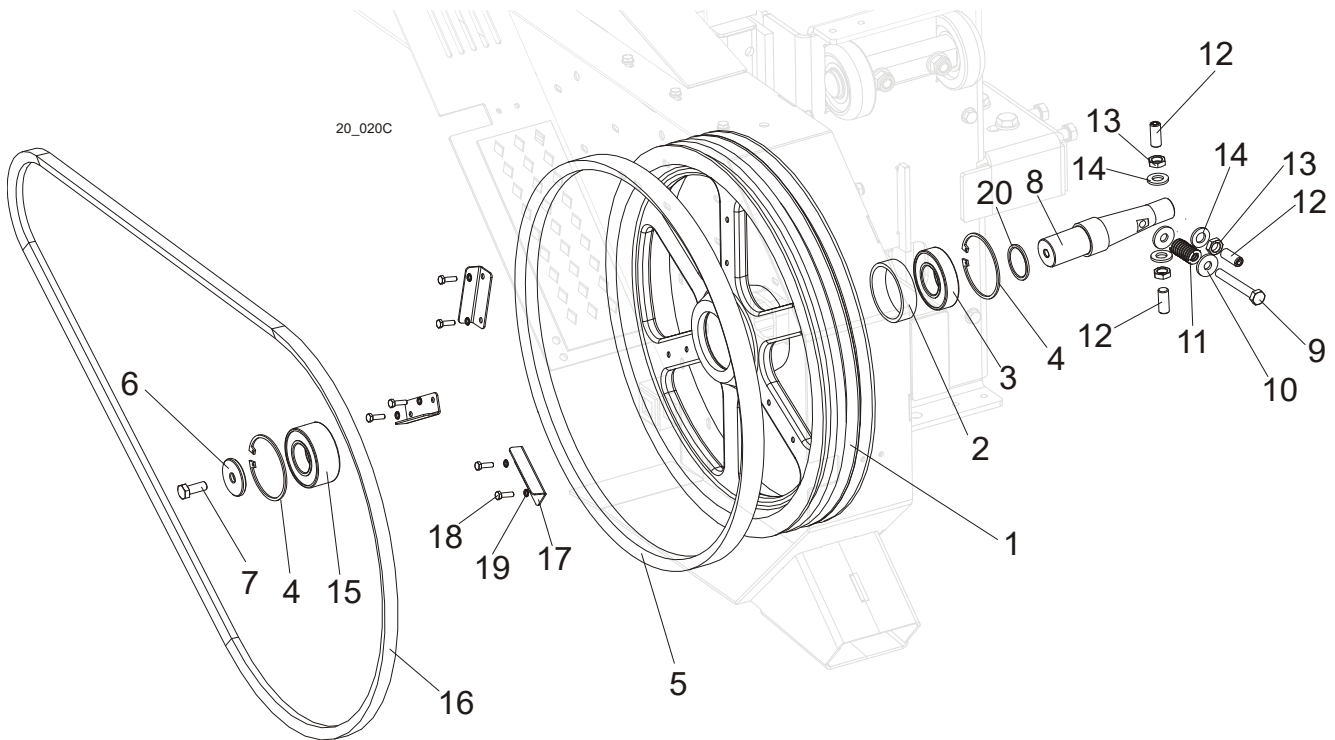


20_127B

| REF. | DESCRIPTION (◆ Indicates Parts Available in Assemblies Only) | PART # | QTY |
|------|--|-----------|-----|
| | DRIVE ASSEMBLY, BLADE GUIDE ARM | 096396 | 1 |
| 1 | BRACKET, BLADE GUIDE ARM MOTOR MOUNT | 096390-1 | 1 |
| 2 | MOTOR, 1/30HP 12VDC GEAR | 079214 | 1 |
| | SHAFT KIT, OUTPUT | 061233 | 1 |
| | .BRUSH ASSEMBLY W/END CAP | 061234 | 1 |
| | GEAR KIT | 061232 | 1 |
| 3 | BOLT, #10-32X1/2 HH | F05004-60 | 4 |
| 4 | WASHER, 5.1 SPLIT LOCK ZINC | F81052-2 | 4 |
| 5 | SPROCKET ASSEMBLY, 25B13X.3130 | P09970 | 1 |
| 6 | PIN, 1/8X3/4 ROLL | F05012-6 | 1 |
| 7 | BOLT, M8x25-8.8-B HEX HEAD FULL THREAD ZINC | F81002-5 | 5 |
| 8 | WASHER, 8.4 FLAT ZINC | F81054-1 | 7 |
| 9 | NUT, M8-8-B HEX NYLON ZINC LOCK | F81032-2 | 2 |
| 10 | BRACKET, BLADE GUIDE ARM DRIVE | 501265-1 | 1 |
| 11 | BOLT, M6x20-8.8 HEX HEAD FULL THREAD ZINC | F81001-2 | 2 |
| 12 | WASHER, 8.2 SPLIT LOCK ZINC | F81054-4 | 3 |
| 13 | NUT, M6-8 HEX ZINC | F81031-1 | 2 |
| 14 | COVER, LT20 BLADE GUIDE ARM MOTOR | 097424-1 | 1 |
| 15 | BOLT, M6X12-8.8 HEX HEAD FULL THREAD ZINC | F81001-7 | 2 |
| 16 | WASHER, 6.5 SPECIAL FLAT ZINC | F81053-11 | 2 |
| 17 | CHAIN, #25X20-1/4 (81 PITCHES) | P09984 | 1 |
| 18 | LINK, 25 MASTER | P09983 | 1 |

SECTION 3 BLADE WHEELS & TENSIONER

3.1 Blade Wheel Assembly, Drive Side

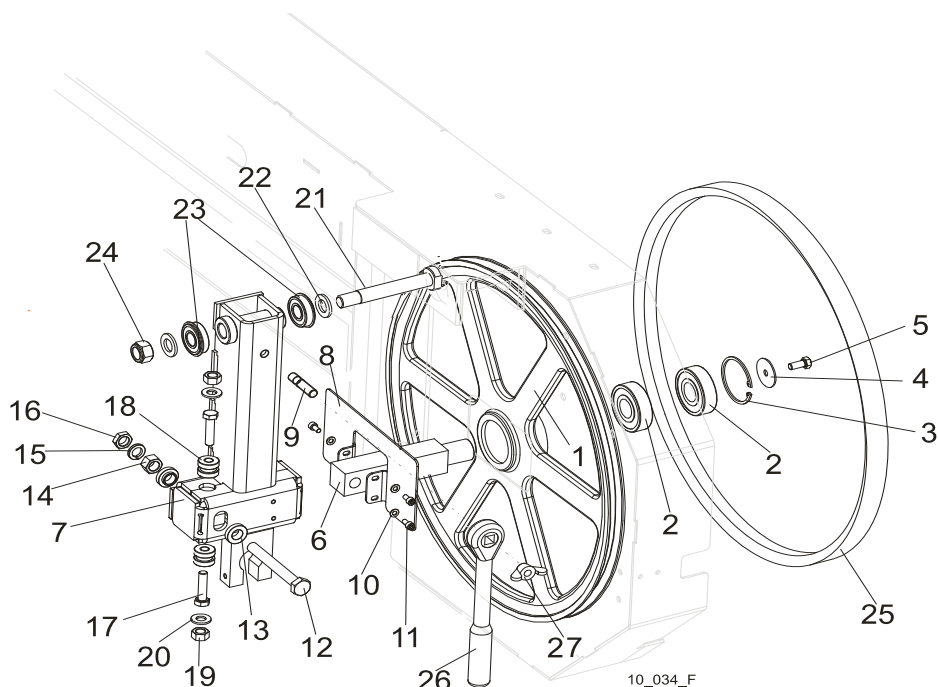


| REF. | DESCRIPTION (◆ Indicates Parts Available In Assemblies Only) | PART # | QTY |
|------|--|------------------------------|--------|
| | BLADE WHEEL ASSEMBLY, LT20 DRIVE SIDE | 091612 | 1 |
| 1 | Wheel, LT20 Drive Side Blade | 090646-1 | 1 |
| 2 | Bushing, Bearing Spacer | 096778 | 1 |
| 3 | Bearing, 6207 2RS 35x72x17 FAG | 014811 | 1 |
| 4 | Ring, W72 Retaining | F81090-4 | 2 |
| 5 | Belt, B57 Blade Wheel | P04185-2 | 1 |
| 6 | Washer, Drive Side Blade Wheel | 092006 | 1 |
| 7 | Bolt, M10x25-8.8 Hex Head Full Thread Zinc | F81003-11 | 1 |
| 8 | Shaft, LT15/20 Drive Side Blade Wheel | 093850 | 1 |
| 9 | Bolt, M10X65-8.8-B Hex Head Zinc | F81003-67 | 1 |
| 10 | Washer, Zinc | 098813-1 | 2 |
| 11 | Spring, 19x38 Compression | 034430 | 1 |
| 12 | Screw, M12x1,25x30 DIN913 Set | F81016-1 | 4 |
| 13 | Washer, 13 Flat Zinc | F81056-1 | 4 |
| 14 | Nut, M12x1,25 DIN439 Thin Stainless Steel | F81034-9 | 4 |
| 15 | Bearing, 3207B, 2RSR. TVH FAQ | 092005 | 1 |
| 16 | Drive Belt, 2BX81, AC Sawmills (E11, E15) Drive Belt, 2BX84, DC Sawmills (D17, D22 & G25) | 014819-2 (AC) 088110 (DC) | 1 2 |
| 17 | Wing | 097808-1 | 3 |
| 18 | Bolt, M6x20-8.8 HEX H, Full Thread, Zinc | F81001-2 | 6 |
| 19 | Washer, Z6.1 Split Lock Zinc | F81053-3 | 6 |
| 20 | Washer, φ35 Special | 091851 | 1 |

3 Blade Wheels & Tensioner

Blade Wheel Assembly, Idle Side

3.2 Blade Wheel Assembly, Idle Side



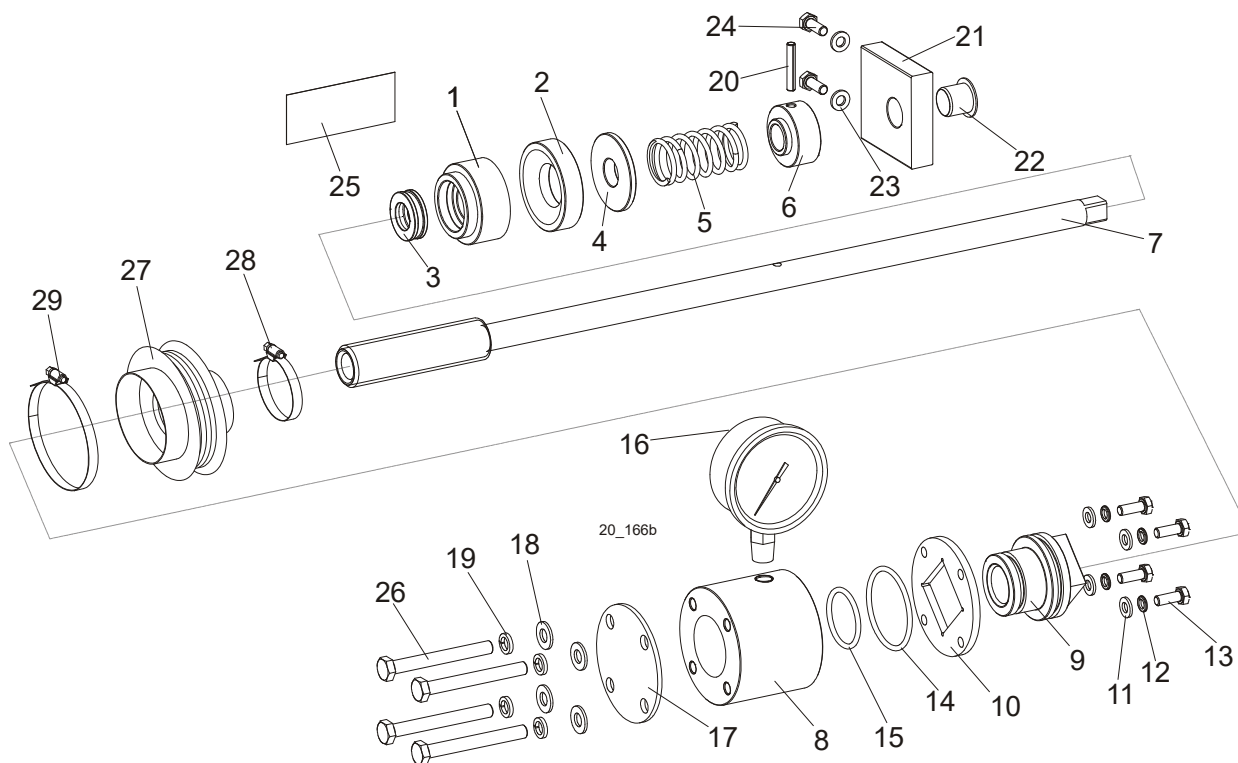
| REF. | DESCRIPTION (◆ Indicates Parts Available In Assemblies Only) | PART # | QTY |
|------|--|---------------|----------|
| | WHEEL ASSEMBLY, IDLE SIDE BLADE | A08218 | 1 |
| 1 | WHEEL ASSEMBLY, 18.62" BLADE IDLE SIDE | P08125 | 1 |
| 2 | BEARING, 6305 2RS NSK IDLE SIDE WHEEL | P08066 | 2 |
| 3 | RING, 2 7/16" INSIDE RETAINING | F04254-21 | 1 |
| | HOUSING, LT10 & LT15 IDLER SHAFT, COMPLETE | 100180 | 1 |
| 4 | WASHER, IDLE SIDE WHEEL RETAINING | 093854-1 | 1 |
| 5 | BOLT, M8X25-8.8-B HEX HEAD FULL THREAD ZINC | F81002-5 | 1 |
| 6 | SHAFT, IDLE SIDE BLADE WHEEL (METRIC) | 096045 | 1 |
| | HOUSING, IDLER SHAFT COMPLETE | 508145 | 1 |
| 7 | HOUSING, IDLER SHAFT WELDED/PAINTED | 508144-1 | 1 |
| 8 | COVER, HOUSING, IDLER SHAFT COMPLETE PAINTED | 508128-1 | 1 |
| 9 | BOLT M10X35-8.8 | F81003-9 | 1 |
| 10 | WASHER, 5.3 FLAT ZINC | F81052-1 | 3 |
| 11 | SCREW, M5x10 DIN912 A2-70 HEX SOCKET HEAD | F81000-23 | 3 |
| 12 | BOLT, M12X1,25X100-8.8 HEX HEAD FULL THREAD ZINC | F81004-41 | 1 |
| 13 | WASHER, FLANGED ZINC-PLATED | 086769-1 | 2 |
| 14 | NUT, M12X1,25-8 HEX ZINC | F81034-8 | 1 |
| 15 | WASHER, 12.2 SPLIT LOCK ZINC | F81056-2 | 1 |
| 16 | NUT, M12x1.25 DIN439 THIN STAINLESS STEEL | F81034-5 | 1 |
| 17 | BOLT, M10 X 40-8.8 HEX HEAD FULL THREAD ZINC | F81003-16 | 2 |
| 18 | BUSHING, M10 IDLER SHAFT HOUSING | 086987 | 2 |
| 19 | NUT, M10-8-B HEX HEAD ZINC | F81033-3 | 2 |
| 20 | WASHER, 10.5 FLAT ZINC | F81055-1 | 2 |
| 21 | PIN, IDLER ARM MOUNT | 086404 | 1 |
| 22 | WASHER, 17 FLAT ZINC | F81058-1 | 2 |
| 23 | BEARING, 6203-2RS NR NSK W/SNAP RING | 086395 | 2 |
| 24 | NUT, M16-8 HEX NYLON ZINC LOCK | F81036-2 | 1 |

| | | | | |
|----|----------------------------|----------|---|--|
| 25 | V-BELT, B57 | P04185-2 | 1 | |
| 26 | WRENCH, LT20 BLADE TENSION | 091620 | 1 | |
| 27 | NUT, M10 WING | F81033-8 | 1 | |

3 Blade Wheels & Tensioner

Blade Tensioner Assembly

3.3 Blade Tensioner Assembly

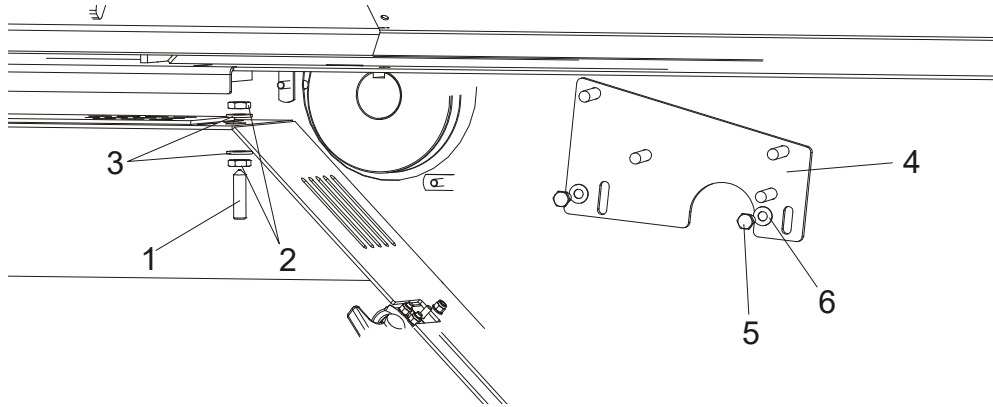


| REF. | DESCRIPTION (◆ Indicates Parts Available In Assemblies Only) | PART # | QTY |
|------|--|---------------|----------|
| | COMPLETE BLADE TENSIONER | 510640 | 1 |
| 1 | HOUSING, BALL THRUST BEARING | 510635 | 1 |
| 2 | SOCKET, BEARING HOUSING | 510634-1 | 1 |
| 3 | BEARING, 51103. BALL THRUST | 086675 | 1 |
| 4 | WASHER | 510633-1 | 1 |
| 5 | SPRING, n3mm | 088992 | 1 |
| 6 | BUSHING, BLADE TENSIONER SCREW | 510636-1 | 1 |
| 7 | SCREW, BLADE TENSIONER ZINC-PLATED | 510650-1 | 1 |
| | CYLINDER ASSEMBLY | 510641 | 1 |
| 8 | CYLINDER | 510657-1 | 1 |
| 9 | PISTON | 510638 | 1 |
| 10 | PLATE, CYLINDER | 510490-1 | 1 |
| 11 | WASHER, 6.4 FLAT ZINC | F81053-1 | 4 |
| 12 | WASHER, Z 6.1 SPLIT LOCK ZINC | F81053-3 | 4 |
| 13 | BOLT, M6x16-8.8 HEX HEAD FULL THREAD ZINC | F81001-15 | 4 |
| 14 | O-RING, 46.2x3 | 510646 | 1 |
| 15 | O-RING, 32.2x3 | 510647 | 1 |
| 16 | GAUGE, 3000psi/200 bar OIL PRESSURE | 505176 | 1 |
| 17 | PLATE, CYLINDER COVER | 510642-1 | 1 |
| 18 | WASHER, 8.4 FLAT ZINC | F81054-1 | 4 |
| 19 | WASHER, 8.2 SPLIT LOCK ZINC | F81054-4 | 4 |
| 20 | PIN, 5x30 ROLL ZINC | F81044-21 | 1 |
| 21 | BLOCK, TENSIONER HANDLE MOUNT | 096730 | 1 |
| 22 | BUSHING, GFM-1618-17 | 089589 | 1 |

| | | | | |
|-----------|---|-----------|--------|--|
| 23 | WASHER, 6.4 FLAT ZINC | F81053-1 | 2 | |
| 24 | BOLT, M6x16-8.8 HEX HEAD FULL THREAD ZINC | F81001-15 | 2 | |
| 25 | DECAL, PRESSURE VALUES | 510643 | 1 | |
| 26 | BOLT, M8x70-8.8 HEX HEAD ZINC | F81002-71 | 4 | |
| 27 | BELLOWS, COMPLETE | 515050 | 1 | |
| 28 | BELLOWS | 515051 | 1 | |
| 29 | CLAMP, 40-60MM DIA. | F81095-4 | 1 | |
| 30 | CLAMP, 70-80MM DIA. | F81095-5 | 1 | |
| | OIL, HYDRAULIC - ALL SEASONS, ESSO UNIVIS HVI26 | P12824 | 0.03 l | |

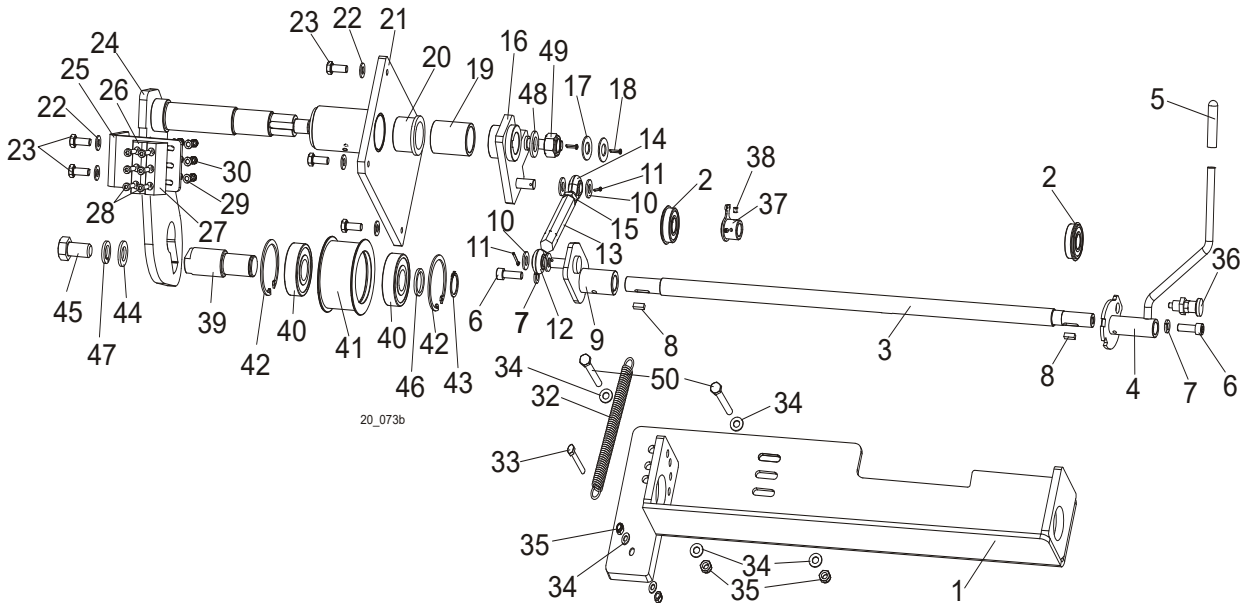
SECTION 4 SAW HEAD

4.1 Middle Throat Screw



| REF. | DESCRIPTION (◆ Indicates Parts Available In Assemblies Only) | PART # | QTY | |
|------|--|-----------|-----|--|
| 1 | SCREW, M10 X 40-45H HEX SOCKET SET CONE POINT ZINC | F81003-61 | 1 | |
| 2 | NUT, M10-8-B ZINC HEX | F81033-6 | 2 | |
| 3 | WASHER, 10.5 ZINC FLAT | F81055-1 | 2 | |
| 4 | BRACKET, DRIVE BELT SUPPORT, UPPER | 092668-1 | 1 | |
| 5 | BOLT, M8X20-5.8 HEX HEAD FULL THREAD ZINC | F81002-1 | 2 | |
| 6 | WASHER, 8.4 ZINC FLAT | F81054-1 | 2 | |

4.2 Drive Belt Tensioner, DC Sawmills



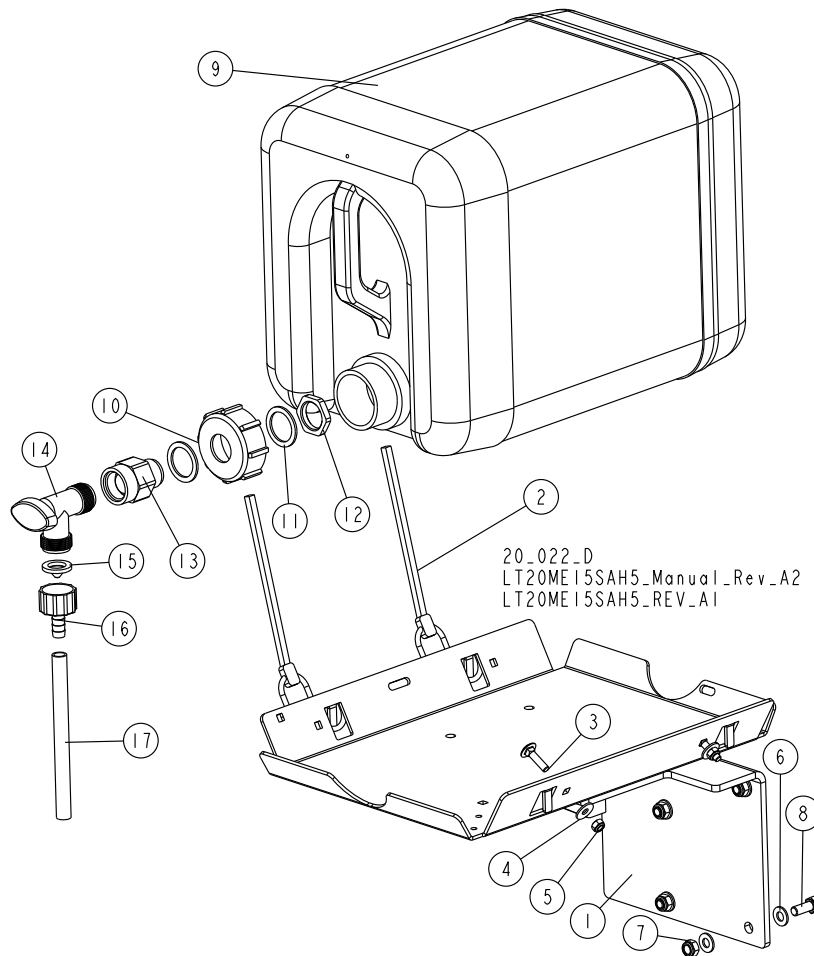
| REF. | DESCRIPTION (◆ Indicates Parts Available In Assemblies Only) | PART # | QTY |
|------|--|---------------|----------|
| | BELT TENSIONER, LT20 COMPLETE, D22 | 098456 | 1 |
| | BELT TENSIONER, LT20 COMPLETE, G25 | 097842 | 1 |
| 1 | Mount Weldment, Belt Tensioner | 091169-1 | 1 |
| 2 | Bearing, 6203-2RS NR NSK w/Ring | 086395 | 2 |
| 3 | Rod, LT20 Belt Tensioner | 091176-1 | 1 |
| 4 | Handle Weldment, Accelerate/Brake | 097837-1 | 1 |
| 5 | Grip, Handle 1/2" ID x 3" Long | 014835 | 1 |
| 6 | Screw, M8x25 -8.8 Hex Socket Head Cap Zinc | F81002-21 | 2 |
| 7 | Washer, 8.2 Split Lock Zinc | F81054-4 | 2 |
| 8 | Key, B 5x5.1x14 Parallel | 087365 | 2 |
| 9 | Bracket, Belt Tensioner Pivot | 091245-1 | 1 |
| 10 | Washer, 10.5 Zinc Flat | F81055-1 | 4 |
| 11 | Pin, 2.5x20 Zinc Cotter | F81043-1 | 2 |
| 12 | End, SAL10 Rod Thread | 096431 | 1 |
| 13 | Turnbuckle | 518243-1 | 1 |
| 14 | Rod End, SA10 | 094236 | 1 |
| 15 | Nut, M10 LH DIN 439 Thin Left | F81033-21 | 1 |
| 16 | Arm Weldment, Belt Tensioner | 091172-1 | 1 |
| 17 | Washer, 17 Zinc Flat | F81058-1 | 2 |
| 18 | Pin, 2.5x20 Zinc Cotter | F81043-1 | 2 |
| 19 | Bushing, Spacer | 091351-1 | 1 |
| 20 | Bushing, MFM-3240-30 (IGUS) | 088461 | 2 |
| 21 | Mount Weldment, Tensioner Shaft | 091112-1 | 1 |
| 22 | Washer, 8.4 Zinc Flat | F81054-1 | 6 |
| 23 | Bolt, M8x20-5.8 Hex Head Full Thread Zinc | F81002-1 | 6 |
| 24 | Shaft Weldment, Belt Tensioner | 097828-1 | 1 |
| 25 | Bracket, Brake Block Mount Ptd | 091248-1 | 1 |
| 26 | Block, F9273 123 Belt Tensioner Brake | 092111 | 1 |

4

Saw Head*Drive Belt Tensioner, DC Sawmills*

| | | | | |
|----|--|---------------|----------|--|
| 27 | Block, F9150 123 Belt Tensioner Brake | 092111 | 1 | |
| 28 | Screw, M5x25-8.8 Hex Socket Head Cap Zinc | F81000-7 | 6 | |
| 29 | Washer, 5.3 Zinc Flat | F81052-1 | 6 | |
| 30 | Nut, M5-8 Zinc DIN 985 | F81030-2 | 6 | |
| 31 | Screw, M8x25-8.8 Hex Socket Head Cap Zinc | F81002-21 | 1 | |
| 32 | Spring, Hydraulic Log Turner | P09136 | 1 | |
| 33 | Bolt, M8x45-8.8 Hex Head Zinc | F81002-17 | 1 | |
| 34 | Washer, 8.4 Zinc Flat | F81054-1 | 6 | |
| 35 | Nut, M8-8-B Hex Nylon Zinc Lock | F81032-2 | 3 | |
| 36 | Pin, Detent | 089939 | 1 | |
| 37 | Tension Member, (G25 Engine Only) | 092535-1 | 1 | |
| 38 | Screw, M6x8 Set | F81013-1 | 2 | |
| | Roller, Tension Complete | 509902 | 1 | |
| 39 | Axle, Belt Tension Wheel Zinc | 509901-1 | 1 | |
| 40 | Bearing Wheel, Idle Side 6305 2RS NSK | P08066 | 2 | |
| 41 | Wheel, LT15 Belt Tension Zinc | 087671-1 | 1 | |
| 42 | Ring, 62W Inside Spring Retaining | F81090-1 | 2 | |
| 43 | Ring, 25Z Outside Retaining | F81090-22 | 1 | |
| 44 | Washer, 17 Flat Zinc | F81058-1 | 1 | |
| 45 | Bolt, M16x30-8.8 Hex Head Full Thread Zinc | F81006-36 | 1 | |
| 46 | Washer, Drive Assy, Zinc-Plated | 500863-1 | 1 | |
| 47 | Washer, 16.3 Split Lock Zinc | F81058-2 | 1 | |
| 48 | Washer, 17 Flat Zinc | F81058-1 | 1 | |
| 49 | Nut, M16-8 Hex Nylon Zinc Lock | F81036-2 | 1 | |
| 50 | Bolt, M8 X 75 8.8 Hex Head Zinc | F81002-91 | 2 | |

4.3 Water Lube Assembly



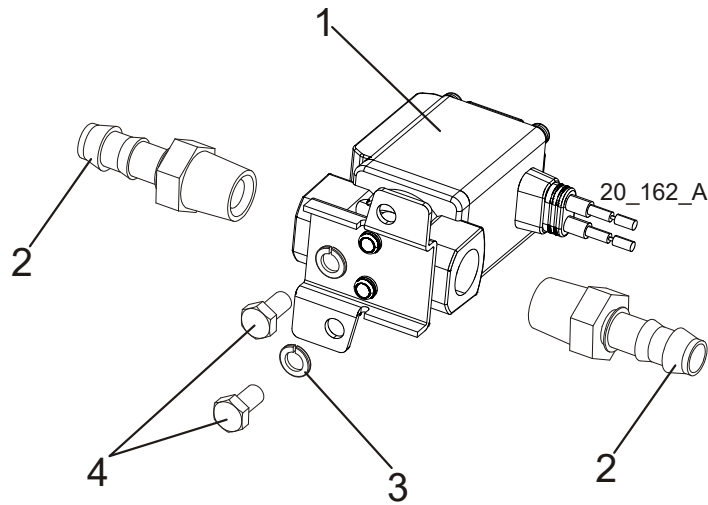
| REF. | DESCRIPTION (◆ Indicates Parts Available In Assemblies Only) | PART # | QTY |
|------|--|---------------------|----------|
| | BOTTLE KIT, LT20 WATER LUBE | 091036 | 1 |
| 1 | TRAY WELDMENT, LT20 WATER LUBE | 091033-1 | 1 |
| 2 | STRAP, 20 RUBBER W/HOOK | P11668 | 2 |
| 3 | BOLT, M6X25-8.8 CARRIAGE ZINC | F81001-20 | 2 |
| 4 | WASHER, 6.5 SPECIAL FLAT ZINC | F81053-11 | 2 |
| 5 | NUT, M6-8-B HEX NYLON ZINC LOCK | F81031-2 | 2 |
| 6 | WASHER, 8.4 FLAT ZINC | F81054-1 | 8 |
| 7 | NUT, M8-8-B HEX NYLON ZINC LOCK | F81032-2 | 4 |
| 8 | BOLT, M8X20-8.8-B HEX HEAD FULL THREAD | F81002-4 | 4 |
| | BOTTLE, WATER, COMPLETE | 513864 | 1 |
| | BOTTLE, WATER, WITH NUT | 513865 ¹ | 1 |
| 9 | BOTTLE, WATER | 513866 | 1 |
| 10 | NUT, WATER BOTTLE | 513867 | 1 |
| 11 | SEAL, 35X26X2 RUBBER | 513869 | 2 |
| 12 | NUT, 3/4 NPT GLAND | 513868 | 1 |
| 13 | FITTING, 3/4FPTX3/4MPT | 014636 | 1 |
| 14 | VALVE, 3/4 NPT ELBOW 3/4 MALE OUTLET PVC | 014100 | 1 |
| 15 | FILTER, WATER LUBE | 016086 | 1 |

4**Saw Head***Water Lube Assembly*

| REF. | DESCRIPTION (◆ Indicates Parts Available In Assemblies Only) | PART # | QTY | |
|------|--|--------|-----|--|
| 16 | REDUCER, 5/8NPT/3/8BARB WATER LUBE | 014113 | 1 | |
| 17 | TUBING, WATER LUBE | R01885 | 1 | |

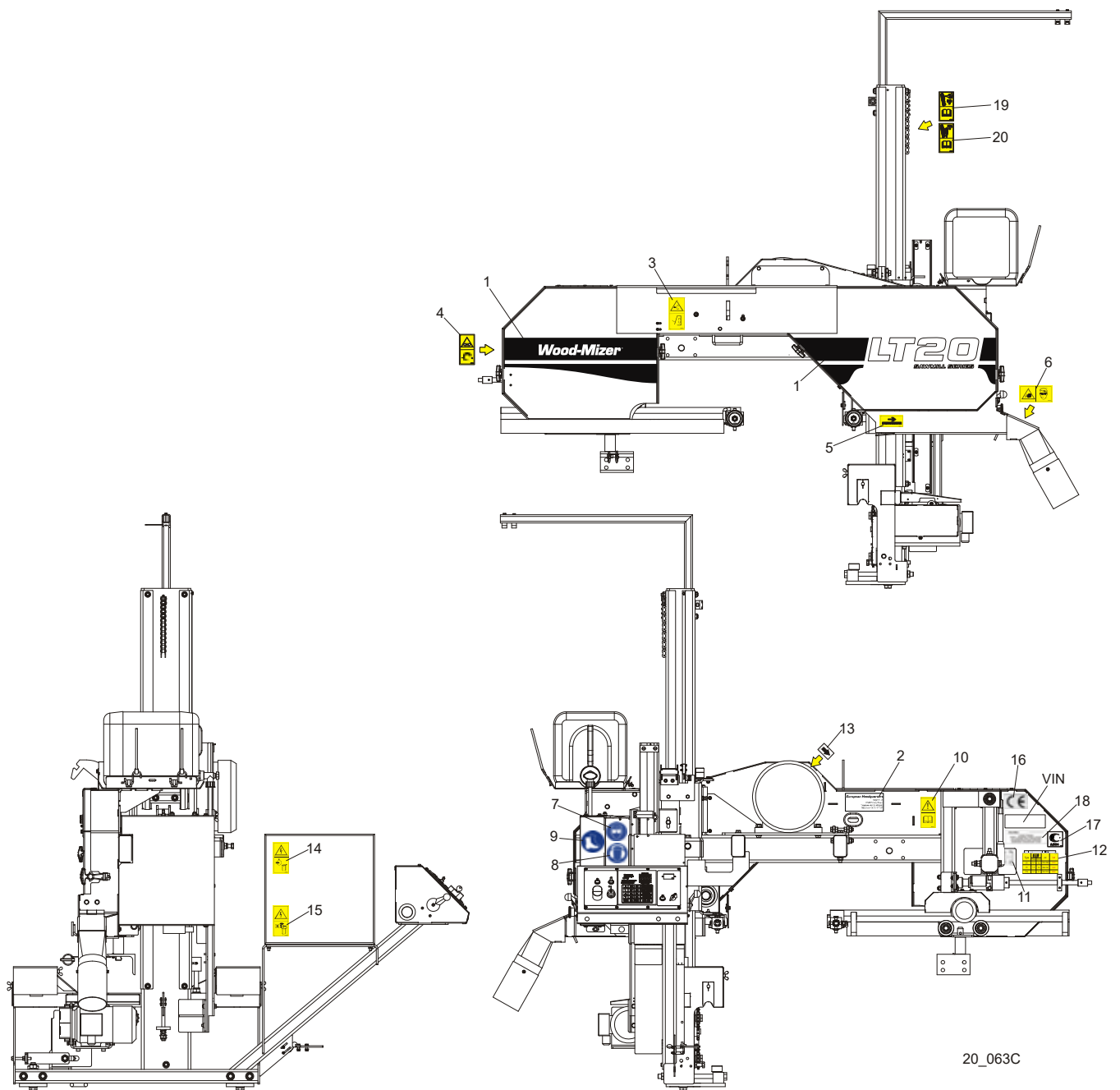
¹ The service number 513865-S includes: 513865, 513869, 513868.

4.4 Blade Lube System



| REF. | DESCRIPTION (◆ Indicates Parts Available In Assemblies Only) | PART # | QTY |
|------|--|-----------|-----|
| | KIT, LT20AC BLADE LUBE SYSTEM | 503517 | 1 |
| 1 | SOLENOID, WATER LUBE | 514046 | 1 |
| 2 | FITTING, 3/8 BARB 1/4NPT MALE NYLON | P04682 | 2 |
| 3 | WASHER, M5 SPLIT LOCK | F81052-2 | 2 |
| 4 | SCREW, 10-32X1/2 HH MACHINE | F05004-60 | 2 |
| | CONNECTOR, 16-14GA FI BUTT | F04875-1 | 2 |
| | CONDUIT, 1/2IN EXPANDABLE BLACK | R02374 | 1m |
| | KIT, LT20DC BLADE LUBE SYSTEM | 503518 | 1 |
| 1 | SOLENOID, WATER LUBE | 509113 | 1 |
| 2 | FITTING, 3/8 BARB 1/4NPT MALE NYLON | P04682 | 2 |
| | CONDUIT, 1/2IN EXPANDABLE BLACK | R02374 | 1m |

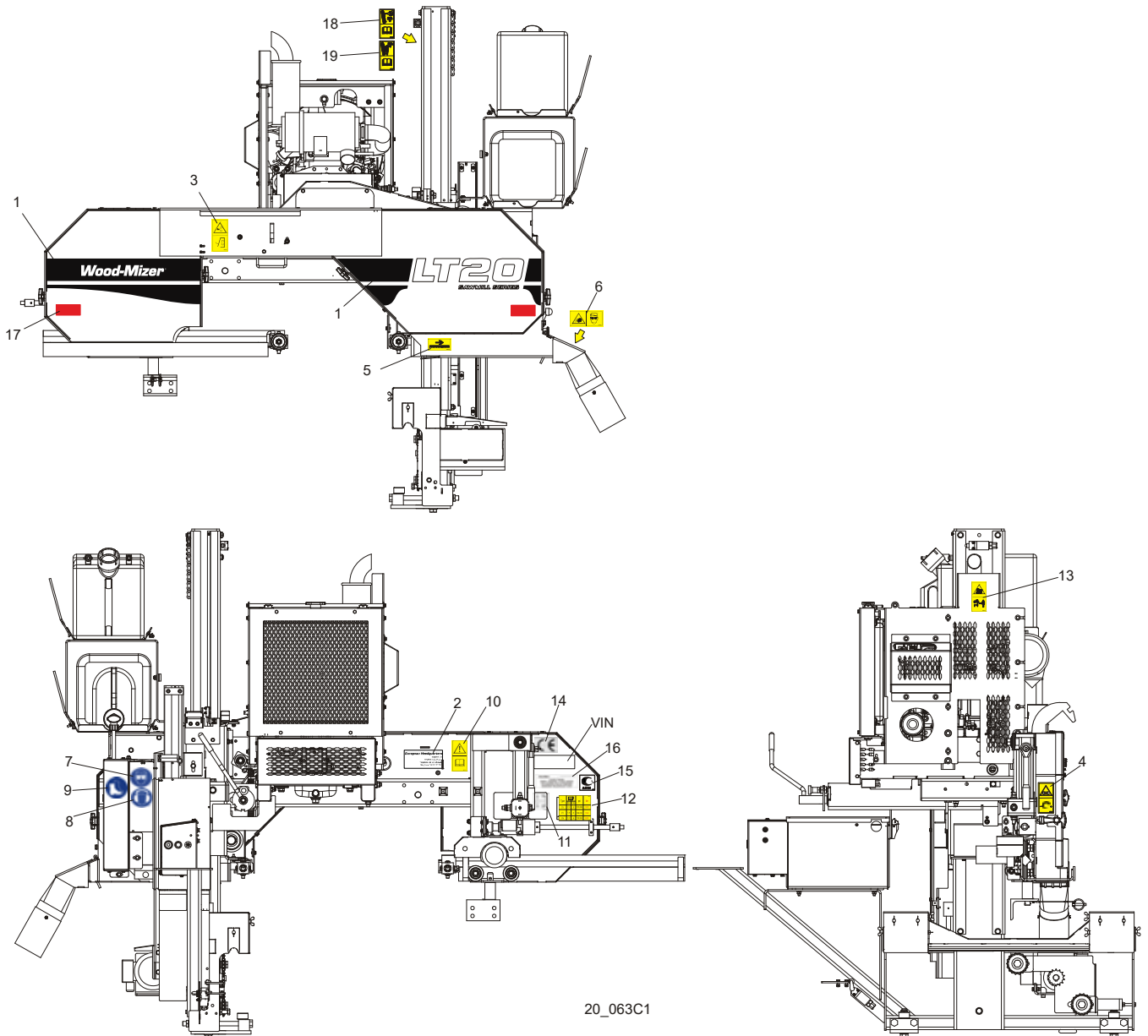
4.5 LT20AC Saw Head Decals



| REF. | DESCRIPTION (◆ Indicates Parts Available In Assemblies Only) | PART # | QTY |
|------|--|---------|-----|
| 1 | DECAL, LT20 SERIES SAWMILL | 092762 | 1 |
| | PICTOGRAPHIC DECAL KIT, LT20AC | 099509 | 1 |
| 2 | DECAL, EUROPEAN HEADQUARTERS ADDRESS | 015841 | 1 |
| 3 | DECAL, SAWMILL COVERS CAUTION | 099220 | 1 |
| 4 | DECAL, BLADE TENSION (PICTOGRAM) | 099219 | 1 |
| 5 | DECAL, BLADE MOVEMENT DIRECTION (PICTOGRAM) | 096321 | 1 |
| 6 | DECAL, SAWDUST CHUTE WARNING (PICTOGRAM) | 099222 | 1 |
| 7 | DECAL, EYE PROTECTION WARNING (PICTOGRAM) | S12004G | 1 |

| | | | | |
|----|---|---------|---|--|
| 8 | DECAL, EAR PROTECTION WARNING (PICTOGRAM) | S12005G | 1 | |
| 9 | DECAL, USE SAFETY BOOTS (PICTOGRAM) | 501465 | 1 | |
| 10 | DECAL, READ OPERATOR'S MANUAL (PICTOGRAM) | 096317 | 1 | |
| 11 | DECAL, BLADE ALIGNMENT | P11789 | 1 | |
| 12 | DECAL, BLADE TENSION INDICATOR ADJUSTMENT | 510643 | 1 | |
| 13 | DECAL, MOTOR ROTATION DIRECTION | S20097 | 1 | |
| 14 | DECAL, HIGH VOLTAGE INSIDE THE ELECTRIC BOX (PICTOGRAM) | 096316 | 2 | |
| 15 | DECAL, REMOVE THE PLUG BEFORE OPENING THE BOX (PICTOGRAM) | 096319 | 2 | |
| 16 | DECAL, CE CERTIFIED SAWMILL | P85070 | 2 | |
| 17 | DECAL, RUSSIAN SAFETY CERTIFICATION | 099401 | 1 | |
| 18 | DECAL, INTERNATIONAL SAWMILL NAME | 501466 | 1 | |
| | DECAL, BLADE SETTING | P85066 | 1 | |
| | DECAL, KEEP AWAY DANGER, PICTOGRAM | 099221 | 1 | |
| | DECAL, MAX. OIL PRESSURE, PICTOGRAM | 099524 | 1 | |
| 19 | DECAL, LUBRICATE THE CHAIN | 512158 | 1 | |
| 20 | DECAL, CLEAN THE CHAIN | 512240 | 1 | |

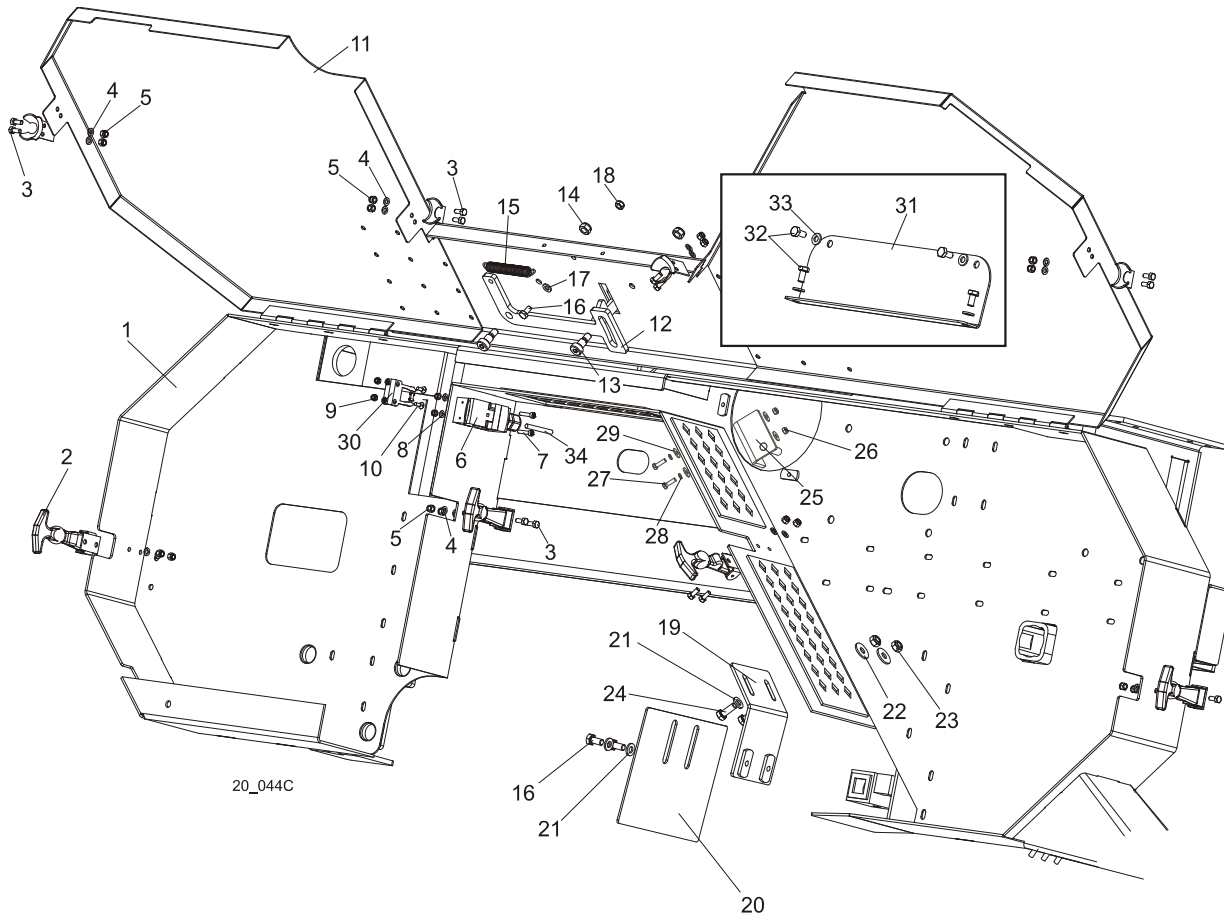
4.6 LT20DC Saw Head Decals



| REF. | DESCRIPTION (◆ Indicates Parts Available In Assemblies Only) | PART # | QTY |
|------|--|---------|-----|
| 1 | DECAL, LT20 SERIES SAWMILL | 092762 | 1 |
| | PICTOGRAPHIC DECAL KIT, LT20DC | 099510 | 1 |
| 2 | DECAL, EUROPEAN HEADQUARTERS ADDRESS | 015841 | 1 |
| 3 | DECAL, SAWMILL COVERS CAUTION | 099220 | 1 |
| 4 | DECAL, BLADE TENSION (PICTOGRAM) | 099219 | 1 |
| 5 | DECAL, BLADE MOVEMENT DIRECTION (PICTOGRAM) | 096321 | 1 |
| 6 | DECAL, SAWDUST CHUTE WARNING (PICTOGRAM) | 099222 | 1 |
| 7 | DECAL, EYE PROTECTION WARNING (PICTOGRAM) | S12004G | 1 |
| 8 | DECAL, EAR PROTECTION WARNING (PICTOGRAM) | S12005G | 1 |

| | | | | |
|----|--|--------|---|--|
| 9 | DECAL, USE SAFETY BOOTS (PICTOGRAM) | 501465 | 1 | |
| 10 | DECAL, READ OPERATOR'S MANUAL (PICTOGRAM) | 096317 | 1 | |
| 11 | DECAL, BLADE ALIGNMENT | P11789 | 1 | |
| 12 | DECAL, BLADE TENSION INDICATOR ADJUSTMENT | 510643 | 1 | |
| 13 | DECAL, KEEP AWAY - HOT PARTS (PICTOGRAM) | 086099 | 1 | |
| 14 | DECAL, CE CERTIFIED SAWMILL | P85070 | 2 | |
| 15 | DECAL, RUSSIAN SAFETY CERTIFICATION | 099401 | 1 | |
| 16 | DECAL, INTERNATIONAL SAWMILL NAME | 501466 | 1 | |
| | DECAL, BLADE SETTING | P85066 | 1 | |
| | DECAL, KEEP AWAY DANGER, PICTOGRAM | 099221 | 1 | |
| | DECAL, MAX. OIL PRESSURE, PICTOGRAM | 099524 | 1 | |
| 17 | REFLECTOR, 2 DIA RED (MOBILE SAWMILLS ONLY) | 521701 | 1 | |
| 18 | DECAL, LUBRICATE THE CHAIN | 512158 | 1 | |
| 19 | DECAL, CLEAN THE CHAIN | 512240 | 1 | |

4.7 Blade Housing Cover



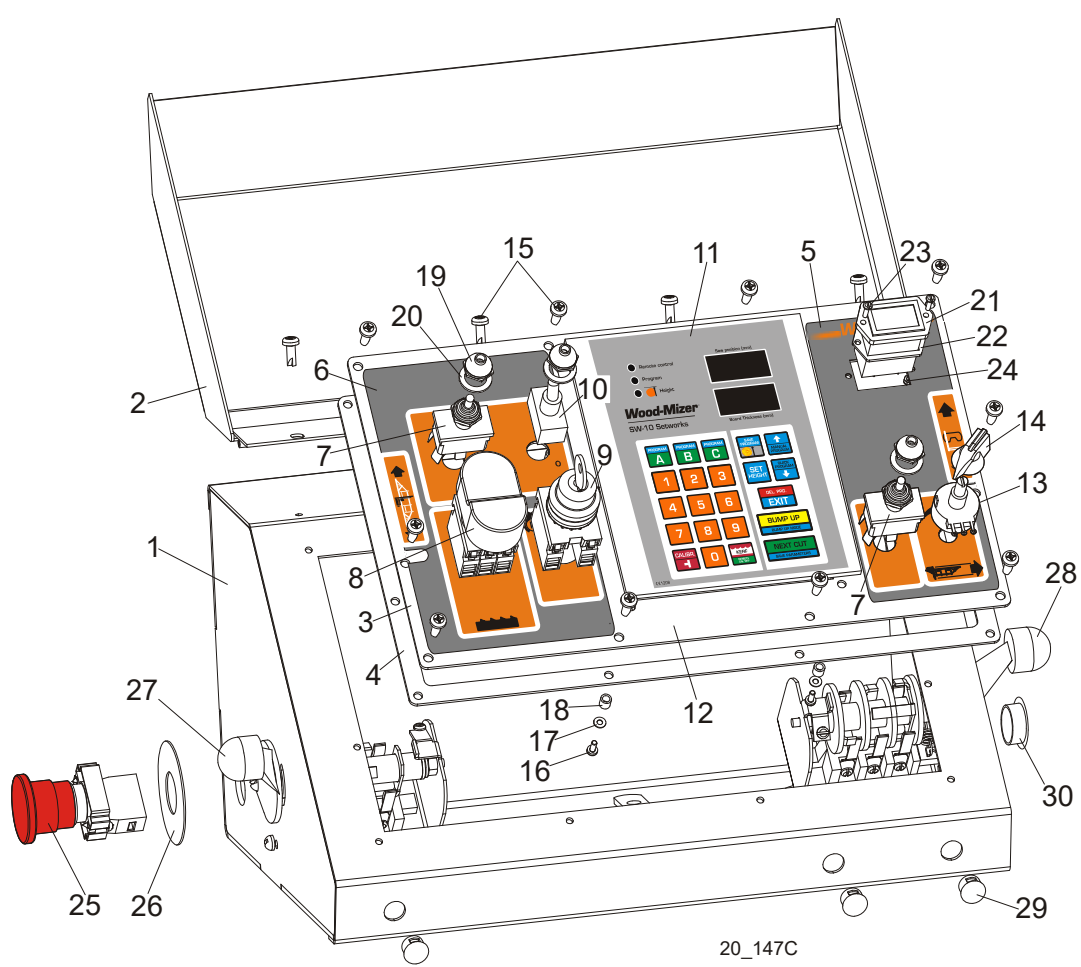
| REF. | DESCRIPTION (◆ Indicates Parts Available In Assemblies Only) | PART # | QTY |
|------|--|-----------|-----|
| 1 | SAW HEAD WELDMENT, LT20 | 090567 | 1 |
| 2 | LATCH, FLEXIBLE DRAW | 014829 | 4 |
| 3 | BOLT, M5 X 12-5.8 HEX HEAD FULL THREAD ZINC | F81000-5 | 16 |
| 4 | WASHER, 5.3 ZINC FLAT | F81052-1 | 16 |
| 5 | NUT, M5-8 HEX NYLON ZINC LOCK | F81030-2 | 16 |
| 6 | SWITCH, AZ17-11ZRK SAFETY KEY | 094232 | 1 |
| 7 | SCREW, M4 X 35 8.8 HEX SOCKET HEAD CAP ZINC | F81011-34 | 2 |
| 8 | WASHER, 4.3 ZINC FLAT | F81051-2 | 4 |
| 9 | NUT, M4-B HEX NYLON ZINC LOCK | F81029-1 | 4 |
| 10 | SCREW, M4 X 12 5.8-B SLOTTED COUNTERSUNK HEAD ZINC | F81011-43 | 2 |
| 11 | COVER WELDMENT, LT20 BLADE HOUSING | 096776-1 | 1 |
| 12 | PAWL, LOCKING | 090643-1 | 1 |
| 13 | SCREW, 10/M8 X 12-12.9 ISO-7379 SOCKET HEAD SHOULDER | F81003-62 | 2 |
| 14 | NUT, M8-8-B HEX NYLON ZINC LOCK | F81032-2 | 2 |
| 15 | SPRING, 1,6x12x38 EXTENSION | 092208 | 1 |
| 16 | BOLT, M6 X 12-8.8 HEX HEAD FULL THREAD ZINC | F81001-7 | 3 |

| | | | | |
|----|---|-----------|--------------------|--|
| 17 | WASHER, 6.4 ZINC FLAT | F81053-1 | 1 | |
| 18 | NUT, M6-8-B HEX NYLON ZINC LOCK | F81031-2 | 1 | |
| 19 | BRACKET, BLADE GUIDE ROLLER GUARD | 092378-1 | 1 | |
| 20 | GUARD, BLADE GUIDE ROLLER | 092379-1 | 1 | |
| 21 | WASHER, 6.4 ZINC FLAT | F81053-1 | 4 | |
| 22 | WASHER, 6.5 ZINC FLAT | F81053-11 | 2 | |
| 23 | NUT, M6-8-B HEX NYLON ZINC LOCK | F81031-2 | 2 | |
| 24 | BOLT, M6X16 8.8 HEX HEAD FULL THREAD ZINC | F81001-15 | 2 | |
| 25 | BRACKET WELDMENT, DRIVE BELT SUPPORT | 092636-1 | 1 | |
| 26 | NUT, M6-8-B HEX NYLON ZINC LOCK | F81031-2 | 2 | |
| 27 | BOLT, M6 X 20-8.8 HEX HEAD FULL THREAD ZINC | F81001-2 | 2 | |
| 28 | WASHER 6.1 SPLIT LOCK ZINC | F81053-3 | 2 | |
| 29 | WASHER, 6.5 ZINC FLAT | F81053-11 | 4 | |
| 30 | KEY, AZ17/170-B5 SAFETY SWITCH | 094422 | 1 | |
| 31 | COVER, SAW HEAD MOUNT | 096788-1 | 1 | |
| 32 | BOLT, M6X12-8.8 HEX HEAD FULL THREAD ZINC | F81001-7 | 4 | |
| 33 | WASHER, 6.4 FLAT ZINC | F81053-1 | 4 | |
| 34 | CABLE, OLFLEX 400P 2X1 | R80583-5 | 3m (DC) 5m (AC) | |

4 Saw Head

Control Box (AC Sawmills)

4.8 Control Box (AC Sawmills)



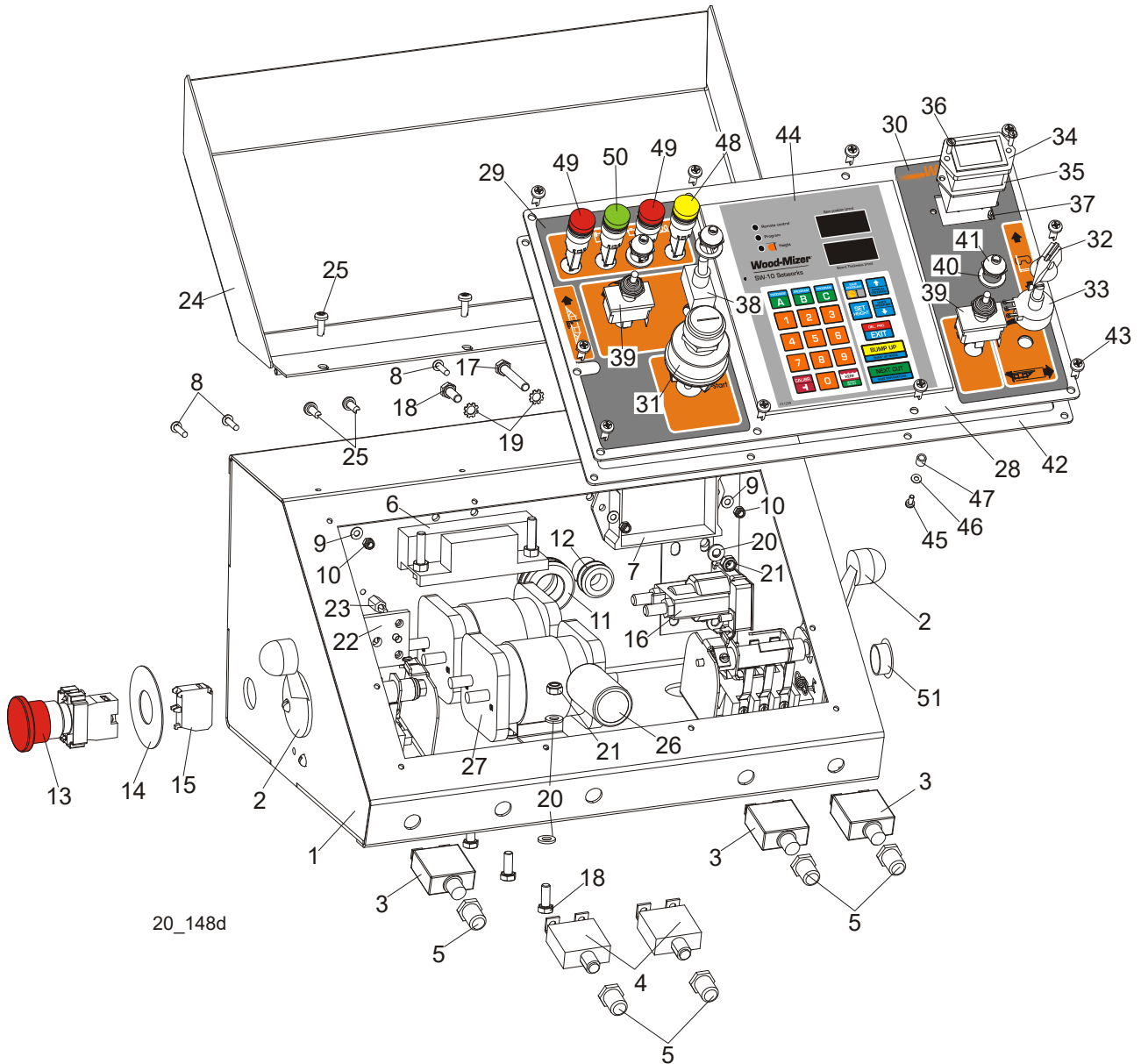
| REF. | DESCRIPTION (◆ Indicates Parts Available In Assemblies Only) | PART # | QTY |
|------|--|----------|-----|
| | CONTROL BOX ASSEMBLY, LT20 AC COMPLETE | 097136 | 1 |
| 1 | Box Weldment, LT20 AC Control | 097134-1 | 1 |
| 2 | Cover, LT20 Control Box | 097135-1 | 1 |
| 3 | Panel, LT20AC Front Control Complete | 097131 | 1 |
| 4 | Gasket, LT20 Control Box | 097132 | 1 |
| 5 | Decal, LT20AC/DC Control Box Right | 099593 | 1 |
| 6 | Decal, LT20AC Control Box Left | 099594 | 1 |
| 7 | Switch, DPDT Toggle 21A Rev Mom Spade | 024200 | 2 |
| 8 | Button, 24V Start/Stop | 090452 | 1 |
| | Membrane M22-T-DD | 090462 | 1 |
| 9 | Switch, M22 3-Position Key | 091361 | 1 |
| | Contact, M22 - K10 | 091362 | 2 |
| 10 | Switch, SPST ON/OFF 15A .25 Tabs Toggle | P03027 | 1 |
| 11 | Controller, SW-10 Setworks | 500628 | 1 |
| 12 | Panel, LT20/40AC Front Control | 100572-1 | 1 |
| 13 | Potentiometer, 1K Feed Rate | E20519 | 1 |
| 14 | Knob, Speed Control | P06257 | 1 |

| | | | | |
|----|---|-----------|----|--|
| 15 | Bolt, #10-24x1/2 Ph Pan Hd, Type 23 | F05015-17 | 14 | |
| 16 | Screw, M3x8 -4.8- Fe/Zn5 PN-M/82202 | F81000-83 | 6 | |
| 17 | Washer, 3.2 Flat Zinc | F81050-2 | 6 | |
| 18 | Tube, 6mm 4.2 long | R80671-4 | 6 | |
| 19 | Boot, Toggle Switch | P02575 | 3 | |
| 20 | Washer, 1/2x3/4x1/16 Nylon | P05251-1 | 3 | |
| 21 | Meter, Hour | 093166 | 1 | |
| 22 | Gasket, Hour Meter | 093346 | 1 | |
| 23 | Bolt, M3x12-8.8 Zinc | F81000-12 | 2 | |
| 24 | Nut, M3-6 Hex Nylon Zinc Lock | F81028-2 | 2 | |
| 25 | Button, XB4 BS542 Emergency Stop | 086556 | 1 | |
| 26 | Washer, Emergency Stop Switch | 086561 | 1 | |
| 27 | Switch, 1992GS Pwr/Feed (Service Package) | E20438 | 1 | |
| 28 | Switch, 1992 Up/Down (Service Package) | E20440 | 1 | |
| 29 | Cap, DP 812 Heyman 12.7 Dia. Hole | 086773 | 3 | |
| 30 | Cap, SR1086 22.2 Dia. Hole | 093544 | 1 | |

4 Saw Head

Control Box (DC Sawmills)

4.9 Control Box (DC Sawmills)

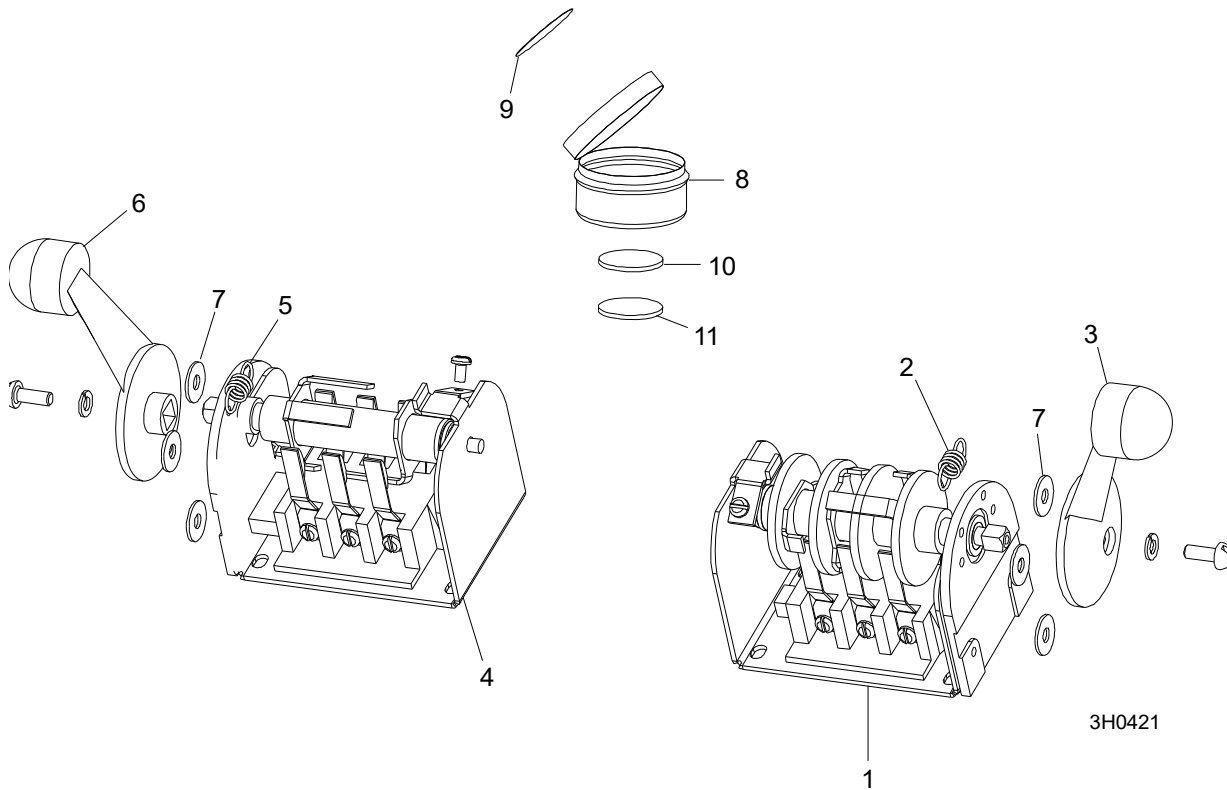


20_148d

| REF. | DESCRIPTION (◆ Indicates Parts Available In Assemblies Only) | PART # | QTY |
|------|--|-----------|-----|
| | CONTROL BOX ASSEMBLY, LT20 DC DIESEL COMPLETE | 097167 | 1 |
| 1 | Box Weldment, LT20 DC | 097165-1 | 1 |
| 2 | Switch, 1992GS Pwr/Feed (Service Package) | E20438 | 2 |
| 3 | Breaker, 50A Manual Reset Panel Mount | 021256 | 3 |
| 4 | Breaker, 10A Manual Reset Panel Mount | 505374 | 2 |
| 5 | Boot, Circuit Breaker | 021253 | 5 |
| 6 | Module Assy, Mosfet 4x 92-96 P/F | 024540 | 1 |
| 7 | Control Module Assy, P/F SMT Service '97 | 024396 | 1 |
| 8 | Screw, M4x16 5,8-B Zinc Lock | F81011-42 | 4 |
| 9 | Washer, 4.3 Flat Zinc | F81051-2 | 4 |

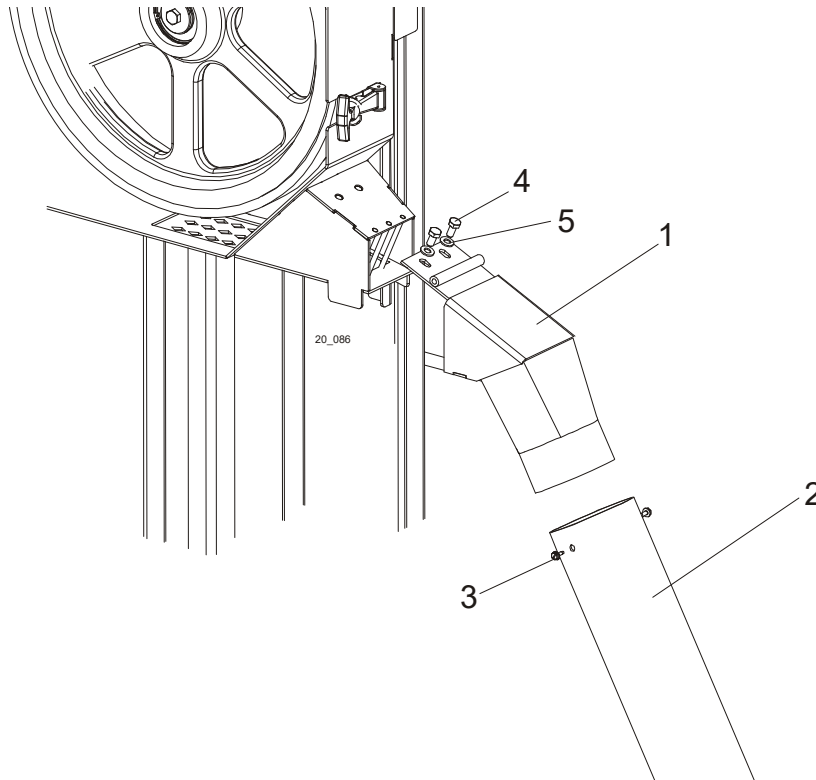
| | | | | |
|----|---|-----------|----|--|
| 10 | Nut, M4-B Hex Nylon Zinc Lock | F81029-1 | 4 | |
| 11 | Grommet, 22mm Rubber | 087400 | 1 | |
| 12 | Grommet, 20/13 Rubber | 086188 | 1 | |
| 13 | Button, XB4 BS542 Emergency Stop | 086556 | 1 | |
| 14 | Washer, ZBY9330 Emergency Stop Button | 086561 | 1 | |
| 15 | Contact, ZBE102 | 086810 | 1 | |
| 16 | Solenoid, 120-943 Hydraulic Shut-Off | P10449 | 1 | |
| 17 | Bolt, M6x40-8.8 Hex Head Full Thread Zinc | F81001-5 | 1 | |
| 18 | Bolt, M6x16 8.8 Hex Head Full Thread Zinc | F81001-15 | 6 | |
| 19 | Washer, 6.4 Exterior Star Lock | F81053-2 | 2 | |
| 20 | Washer, 6.4 Flat Zinc | F81053-1 | 8 | |
| 21 | Nut, M6-8-B Hex Nylon Lock Zinc | F81031-2 | 5 | |
| 22 | Radiator, Diode | 091867 | 1 | |
| 23 | Spacer, P3/12 | R80671-2 | 4 | |
| 24 | Cover Weldment, LT20 Complete | 097135-1 | 1 | |
| 25 | Bolt, #10-24x1/2 Ph Pan Hd, Type 23 | F05015-17 | 6 | |
| 26 | Capacitor, 10000/63V Elektrolytic | 091166 | 1 | |
| 27 | Solenoid, 200A 12V DPST | 015417 | 2 | |
| | Panel, LT20DC Front Complete | 097163 | 1 | |
| 28 | Panel, LT20/40DC Front | 100573-1 | 1 | |
| 29 | Decal, LT20DC Control Box Left | 099592 | 1 | |
| 30 | Decal, LT20AC/DC Control Box Right | 099593 | 1 | |
| 31 | Switch, Key | P04350 | 1 | |
| 32 | Knob, Speed Control | P06257 | 1 | |
| 33 | Potentiometer, 1k | E20519 | 1 | |
| 34 | Meter, Hour | 093166 | 1 | |
| 35 | Gasket, Hour Meter | 093346 | 1 | |
| 36 | Bolt, M3x12-8.8 Zinc | F81000-12 | 2 | |
| 37 | Nut, M3-6 Hex Nylon Zinc Lock | F81028-2 | 2 | |
| 38 | Switch, SPST On/Off 15A .25 Tabs Toggle | P03027 | 1 | |
| 39 | Switch, DPDT Toggle 21A Rev Mom Spade | 024200 | 2 | |
| 40 | Washer, 1/2x3/4x1/16 Nylon | P05251-1 | 3 | |
| 41 | Boot, Toggle Switch | P02575 | 3 | |
| 42 | Gasket, LT20 Control Box | 097132 | 1 | |
| 43 | Bolt, #10-24x1/2 Ph Pan Hd, Type 23 | F05015-17 | 10 | |
| 44 | Controller, SW-10 Setworks | 500628 | 1 | |
| 45 | Screw, FH ST 3,5x6,5 A4 | F81000-82 | 6 | |
| 46 | Washer, 3.2 Flat Zinc | F81050-2 | 6 | |
| 47 | Spacer, 4.2x6mm Idler | R80671-4 | 6 | |
| 48 | Light, XB6AV5BB Yellow | 089812 | 1 | |
| 49 | Light, XB6AV4BB Red | 091099 | 2 | |
| 50 | Light, XB6AV3BB Green | 087348 | 1 | |
| 51 | Cap, SR1086 22.2 Dia. Hole | 093544 | 1 | |

4.10 Drum Switches



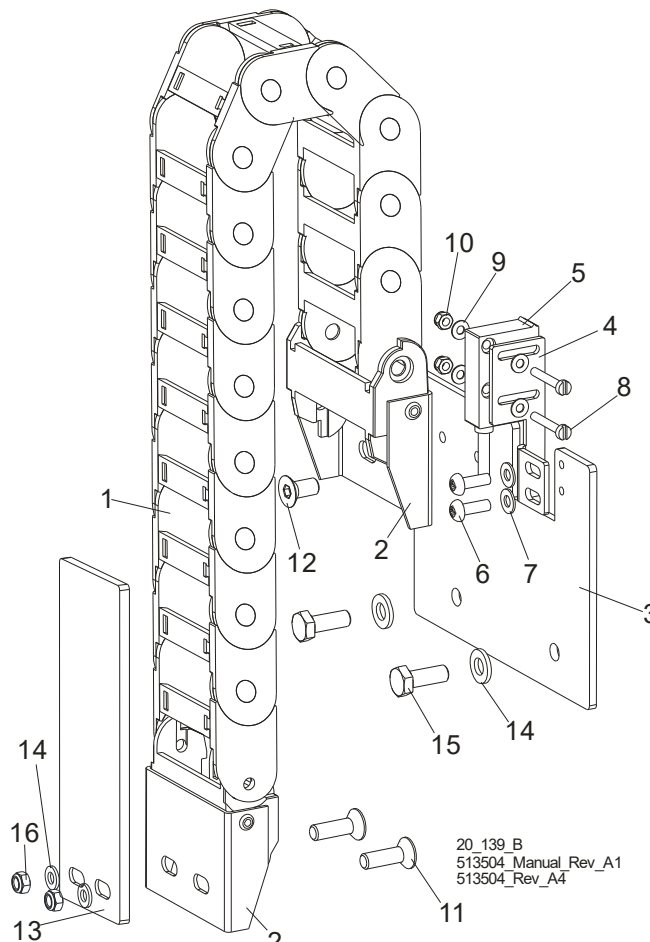
| REF. | DESCRIPTION (◆ Indicates Parts Available In Assemblies Only) | PART # | QTY | |
|------|--|-----------|--------|---|
| | SWITCH ASSEMBLY, UP/DOWN DRUM | E20440 | 1 | |
| 1 | Switch, Drum | E20440-B | 1 | ◆ |
| 2 | Spring, Drum Switch | P12570 | 1 | |
| 3 | Handle, Drum Switch w/Screws | P12500 | 1 | |
| | SWITCH ASSEMBLY, POWER FEED DRUM | E20438 | 1 | |
| 4 | Switch, Drum | E20438-B | 1 | ◆ |
| 5 | Spring, Drum Switch | P12570 | 1 | |
| 6 | Handle, Drum Switch w/Screws | P12500 | 1 | |
| 7 | WASHER, #8 SAE FLAT | F05011-41 | 6 | |
| | CUP ASSEMBLY, DRUM SWITCH GREASE | A20463 | 1 | |
| 8 | Cup, Plastic Container | P20464 | 1 | ◆ |
| 9 | Label, Grease Cup | P20467 | 1 | |
| 10 | Pad, Velcro Loop | P20466 | 1 | ◆ |
| 11 | Pad, Velcro Hook | P20465 | 1 | ◆ |
| | Grease, Drum Switch | P20468 | .011ml | ◆ |

4.11 Sawdust Chute



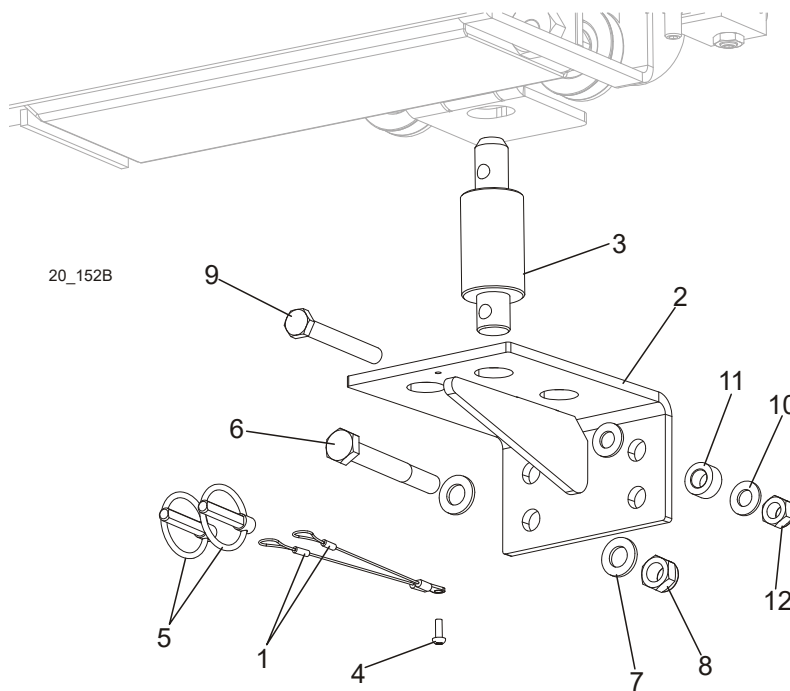
| REF. | DESCRIPTION (◆ Indicates Parts Available In Assemblies Only) | PART # | QTY | |
|------|--|-----------|-----|--|
| 1 | CHUTE WELDMENT, SAWDUST | 100903-1 | 1 | |
| 2 | TUBE, SAWDUST CHUTE RUBBER | R02336 | 1 | |
| 3 | SCREW, #10-24 X 1/2 SELF-TAPPING | F05015-7 | 2 | |
| 4 | BOLT, M8x16 | F81002-20 | 2 | |
| 5 | WASHER, 8.4 ZINC FLAT | F81054-1 | 2 | |

4.12 Up/Down Cable Chain Assembly



| REF. | DESCRIPTION (◆ Indicates Parts Available In Assemblies Only) | PART # | QTY |
|------|--|---------------|----------|
| 1 | Harness Guide, 1450.050.075.0 | 512944 | 1 |
| | HARNESS GUIDE AND SENSOR ASSEMBLY | 098052 | 1 |
| 2 | Bracket, 14050, 12PZ Mount | 512945 | 1 |
| 3 | Mounting Plate, Harness and Sensor Assy. | 096067-1 | 1 |
| 4 | Bracket, Sensor Mount | 096068-1 | 1 |
| 5 | Sensor, MSK-320 | 096014 | 1 |
| 6 | Screw, M4x12-5.8-B Zinc | F81011-43 | 2 |
| 7 | Washer, 4.3 Zinc | F81051-2 | 2 |
| 8 | Screw, M3x20-5.8-A Zinc | F81000-8 | 2 |
| 9 | Washer, 3.2 Zinc | F81050-2 | 4 |
| 10 | Nut, M3-6 Zinc | F81028-2 | 2 |
| 11 | Screw, M6x20-10.9 Fe/Zn5 DIN-7991 Flat Socket Head Cap Zinc | F81001-17 | 2 |
| 12 | Screw, M6x12-10.9 DIN7991 Flat Socket Head Cap Zinc | F81001-54 | 2 |
| 13 | Plate, Guide Mount | 098662-1 | 1 |
| 14 | Washer, 6.4 Flat Zinc | F81053-1 | 2 |
| 15 | Bolt, M6 x 16 8.8 Hex Head Full Thread Zinc | F81001-15 | 2 |

4.13 LT20 Saw Head Rest Pin Assembly



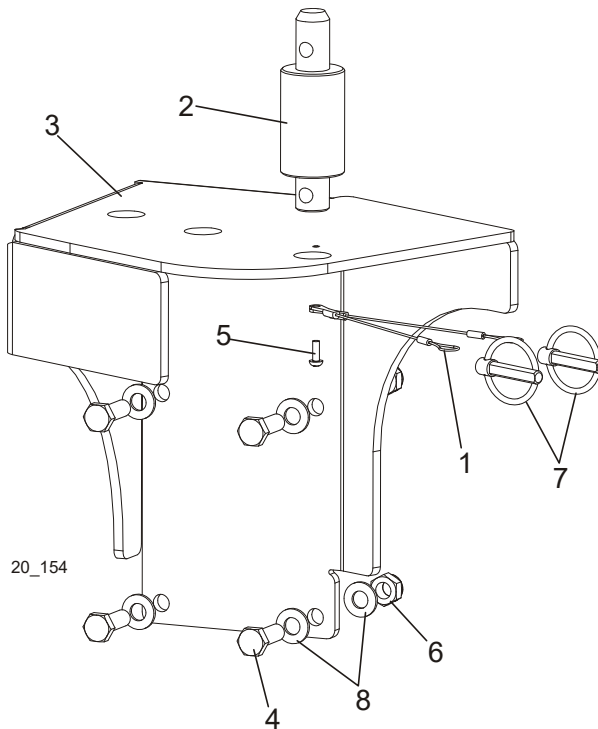
| REF. | DESCRIPTION (◆ Indicates Parts Available In Assemblies Only) | PART # | QTY |
|------|--|-----------|-----|
| | BRACKET, LT20 SAW HEAD REST PIN COMPLETE | 097936 | 1 |
| 1 | LANYARD, 3/64 X 6 | 016030 | 2 |
| 2 | BRACKET, LT20 SAW HEAD REST PIN | 092699-1 | 1 |
| 3 | PIN, LT20 SAW HEAD REST | 097935-1 | 1 |
| 4 | SCREW, M4x12 5,8-B CROSS RECESSED PAN HEAD | F81011-43 | 1 |
| 5 | PIN, 8 BN914 (BOSSARD 134650) LOCK | F81046-2 | 2 |
| 6 | BOLT, M12x95 -8.8- HEX HEAD ZINC-PLATED | F81004-29 | 1 |
| 7 | WASHER, 13 FLAT ZINC | F81056-1 | 2 |
| 8 | NUT, M12-8 HEX NYLON ZINC LOCK | F81034-2 | 1 |
| 9 | BOLT, M10 X 80 -8.8- FE/ZN5 HEX HEAD | F81003-50 | 1 |
| 10 | WASHER, 10.5 FLAT ZINC | F81055-1 | 2 |
| 11 | BUSHING, ZINC-PLATED SPACER | 090936-1 | 1 |
| 12 | NUT, M10-8-B HEX NYLON ZINC LOCK | F81033-1 | 1 |

4

Saw Head

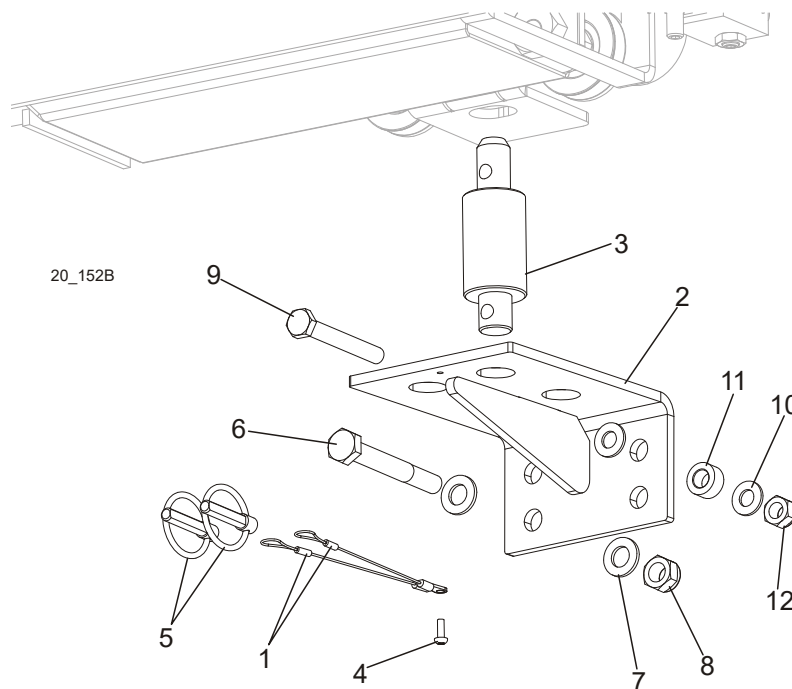
Saw Head Rest Pin Assembly (LT20ME15SAH3 - 1.8 Sawmills)

4.14 Saw Head Rest Pin Assembly (LT20ME15SAH3 - 1.8 Sawmills)



| REF. | DESCRIPTION (◆ Indicates Parts Available In Assemblies Only) | PART # | QTY |
|------|--|-----------|-----|
| | KIT, LT20ME15SAH3-1.8 SAW HEAD REST PIN COMPLETE | 501670 | 1 |
| 1 | LANYARD, 3/64 X 6 | 016030 | 2 |
| 2 | PIN, LT20 SAW HEAD REST | 097935-1 | 1 |
| 3 | PLATE, LT20ME15SAH3-1.8 SAW HEAD REST PIN | 501671-1 | 1 |
| 4 | BOLT, M10X30-5.8 HEX HEAD FULL THREAD ZINC | F81003-2 | 4 |
| 5 | SCREW, M4x12 5,8-B CROSS RECESSED PAN HEAD | F81011-43 | 1 |
| 6 | NUT, M10-8-B HEX NYLON ZINC LOCK | F81033-1 | 4 |
| 7 | PIN, 8 BN914 (BOSSARD 134650) LOCK | F81046-2 | 2 |
| 8 | WASHER, 10.5 FLAT ZINC | F81055-1 | 8 |

4.15 Saw Head Rest Pin Assembly (LT20ME15SAH7-2.2 Sawmills)



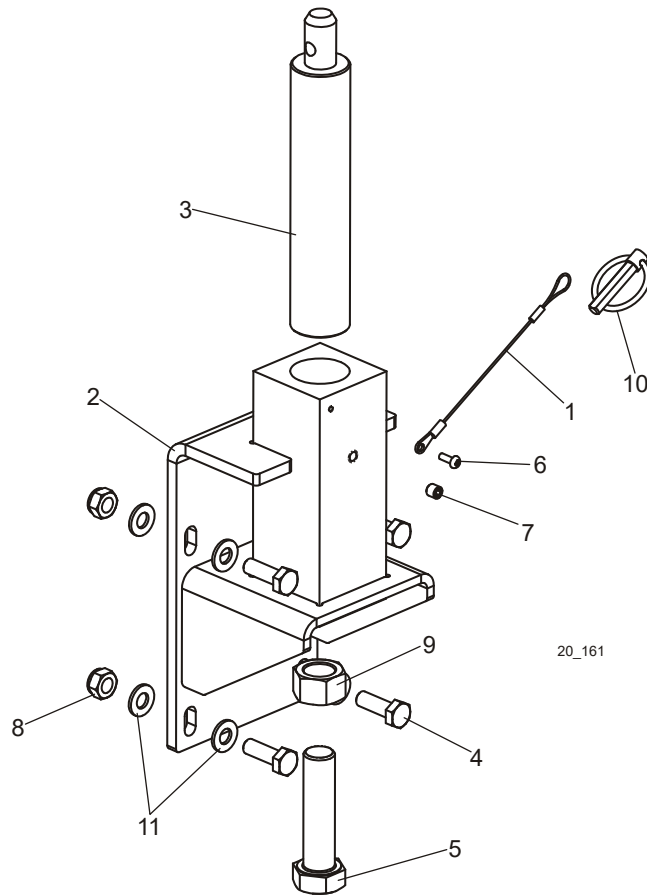
| REF. | DESCRIPTION (◆ Indicates Parts Available In Assemblies Only) | PART # | QTY |
|------|--|-----------|-----|
| | BRACKET, LT20 SAW HEAD REST PIN COMPLETE | 097936 | 1 |
| 1 | LANYARD, 3/64 X 6 | 016030 | 2 |
| 2 | BRACKET, LT20 SAW HEAD REST PIN | 092699-1 | 1 |
| 3 | PIN, LT20 SAW HEAD REST | 097935-1 | 1 |
| 4 | SCREW, M4x12 5,8-B CROSS RECESSED PAN HEAD | F81011-43 | 1 |
| 5 | PIN, 8 BN914 (BOSSARD 134650) LOCK | F81046-2 | 2 |
| 6 | BOLT, M12x95 -8.8- HEX HEAD ZINC-PLATED | F81004-29 | 1 |
| 7 | WASHER, 13 FLAT ZINC | F81056-1 | 2 |
| 8 | NUT, M12-8 HEX NYLON ZINC LOCK | F81034-2 | 1 |
| 9 | BOLT, M10 X 80 -8.8- FE/ZN5 HEX HEAD | F81003-50 | 1 |
| 10 | WASHER, 10.5 FLAT ZINC | F81055-1 | 2 |
| 11 | BUSHING, ZINC-PLATED SPACER | 090936-1 | 1 |
| 12 | NUT, M10-8-B HEX NYLON ZINC LOCK | F81033-1 | 1 |

4

Saw Head

Saw Head Rest Pin Assembly (LT20MD22SDH7-2.5 Sawmills)

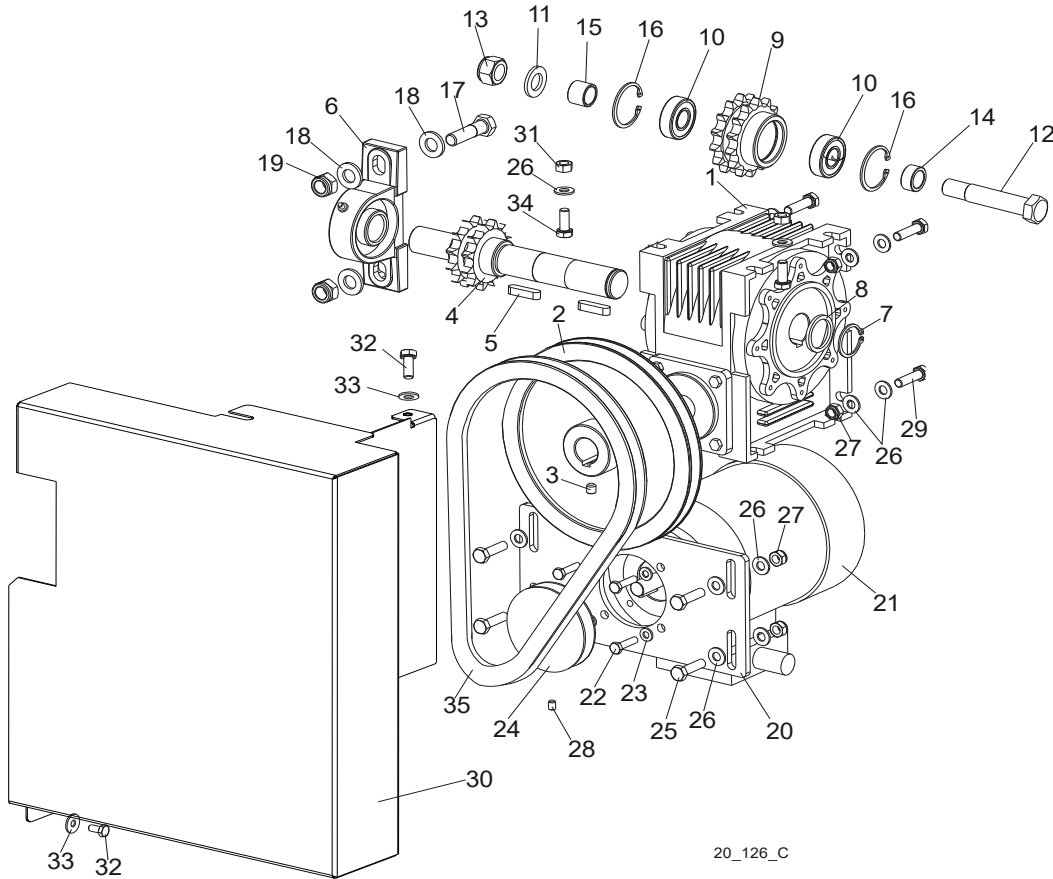
4.16 Saw Head Rest Pin Assembly (LT20MD22SDH7-2.5 Sawmills)



| REF. | DESCRIPTION (◆ Indicates Parts Available In Assemblies Only) | PART # | QTY |
|------|--|-----------|-----|
| | KIT, LT20MD22SDH7-2.5 SAW HEAD REST PIN - COMPLETE | 505041 | 1 |
| 1 | LANYARD, 3/64 X 6 | 016030 | 1 |
| 2 | BRACKET, LT20ME15SAH7-2.2 SAW HEAD REST | 505045-1 | 1 |
| 3 | PIN, LT20 SAW HEAD REST | 505046-1 | 1 |
| 4 | BOLT, M10X30-5.8 HEX HEAD FULL THREAD ZINC | F81003-2 | 4 |
| 5 | BOLT, M20x80-8.8 HEX HEAD FULL THREAD ZINC | F81007-10 | 1 |
| 6 | SCREW, M4x12 5,8-B CROSS RECESSED PAN HEAD | F81011-43 | 1 |
| 7 | SCREW, M8X8-33H HEX SOCKET SET FLAT POINT | F81014-1 | 1 |
| 8 | NUT, M10-8-B HEX NYLON ZINC LOCK | F81033-1 | 4 |
| 9 | NUT, M20-8 HEX ZINC | F81037-1 | 1 |
| 10 | PIN, 8 BN914 (BOSSARD 134650) LOCK | F81046-2 | 1 |
| 11 | WASHER, 10.5 FLAT ZINC | F81055-1 | 8 |

SECTION 5 UP/DOWN ASSEMBLY

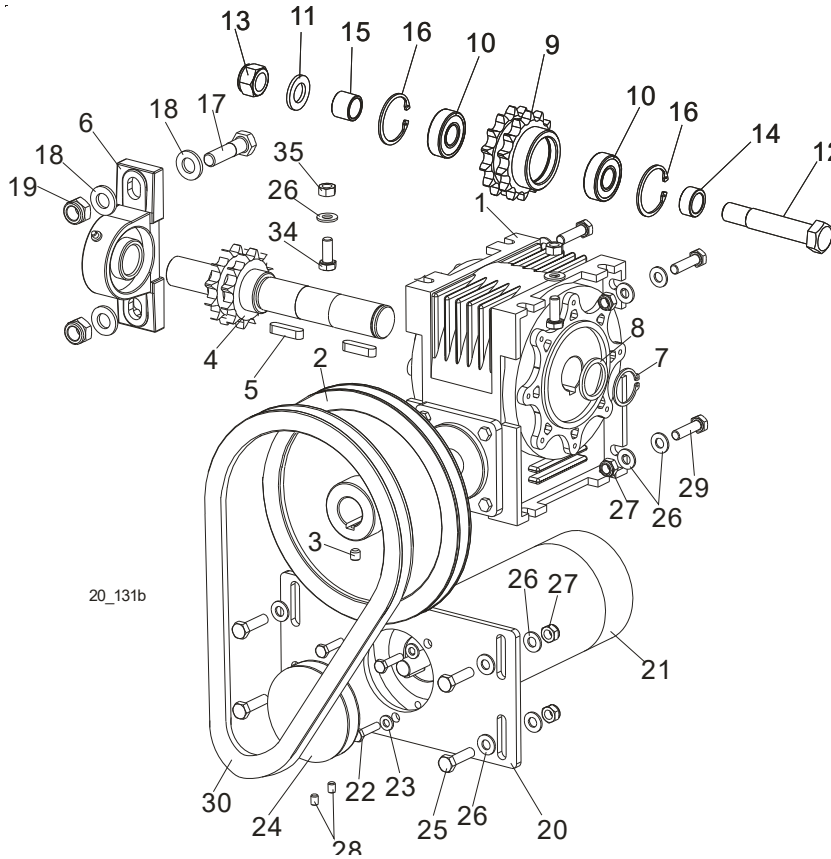
5.1 Up/Down Assembly, AC Mills



| REF. | DESCRIPTION (◆ Indicates Parts Available In Assemblies Only) | PART # | QTY | |
|------|--|---------------|----------|---|
| | MOTOR ASSEMBLY, LT20 AC UP/DOWN | 098300 | 1 | ◆ |
| | Motor Assembly, LT20 Up/Down | 098299 | 1 | |
| 1 | Box, R-63/66/F1/B3 Gear | 097786 | 1 | |
| 2 | Pulley, LT20 | 091078-1 | 1 | |
| 3 | Screw, M8x8-33H Hex Socket Set Flat Point | F81014-1 | 1 | |
| 4 | Shaft, LT20 Up/Down w/Sprocket | 512249-1 | 1 | |
| 5 | Key, A8x7x32 Parallel | 088564 | 2 | |
| 6 | Bearing Assembly, UCP 205CX | 088468 | 1 | |
| 7 | Ring, Z28 Outside Retaining | F81090-12 | 1 | |
| 8 | Washer | 098351 | 1 | |
| | Sprocket Assembly | 512276 | 2 | |
| 9 | Sprocket, ULMER T08260 | 512247-1 | 1 | |
| 10 | Spacer, Drive Bearing | 098166 | 2 | |
| 11 | Washer, M16 Flat Zinc | F81058-1 | 2 | |
| 12 | Pin, Up/Down Drive Shaft | 098289-1 | 1 | |
| 13 | Nut, M16-8 Hex Nylon Zinc Lock | F81036-2 | 1 | |

| | | | | |
|----|---|---------------|----------|--|
| 14 | BUSHING, D42 BELT TENSIONER SPACER ZINC-PL. | 087965-1 | 1 | |
| 15 | BUSHING, UP/DOWN SPROCKET SPACER ZINC-PL. | 088792-1 | 1 | |
| 16 | RING, W40 INSIDE RETAINING | F81090-3 | 2 | |
| 17 | Bolt, M12x45-8.8 Hex Head Zinc | F81004-32 | 2 | |
| 18 | Washer, 13 Flat Zinc | F81056-1 | 4 | |
| 19 | Nut, M12-8 Hex Nylon Zinc Lock | F81034-2 | 2 | |
| | Motor Assembly, LT20 AC Up/Down | 091302 | 1 | |
| 20 | Plate, LT20AC Up/Down Motor Mount | 098355-1 | 1 | |
| 21 | Motor, SKh 71- 4B2 RAL 9005 | 091304 | 1 | |
| 22 | Bolt, M6x25-5.8 Hex Head Full Thread Zinc | F81001-3 | 4 | |
| 23 | Washer, 6.4 Flat Zinc | F81053-1 | 4 | |
| 24 | Pulley, LT20 Power Feed Gear Box | 090699-1 | 1 | |
| 25 | Bolt, M8x30-5.8 Hex Head Full Thread Zinc | F81002-2 | 4 | |
| 26 | Washer, 8.4 Flat Zinc | F81054-1 | 18 | |
| 27 | Nut, M8-8-B Hex Nylon Zinc Lock | F81032-2 | 8 | |
| 28 | Screw, M6x8 Hex Socket Set Flat Point Zinc | F81013-1 | 1 | |
| 29 | Bolt, M8x30-8.8-B Hex Head Full Thread Zinc | F81002-7 | 4 | |
| 30 | Guard, Up/Down Front | 517500-1 | 1 | |
| 31 | Nut, M8-8-B Hex Zinc | F81032-1 | 2 | |
| 32 | Bolt, M6x12-8.8 Hex Head Full Thread Zinc | F81001-7 | 2 | |
| 33 | Washer, 6.5 Special Flat Zinc | F81053-11 | 2 | |
| 34 | Bolt, M8x20-5.8 Hex Head Full Thread Zinc | F81002-1 | 2 | |
| 35 | V-Belt, HA-800 (Kleberg) | 091086 | 1 | |

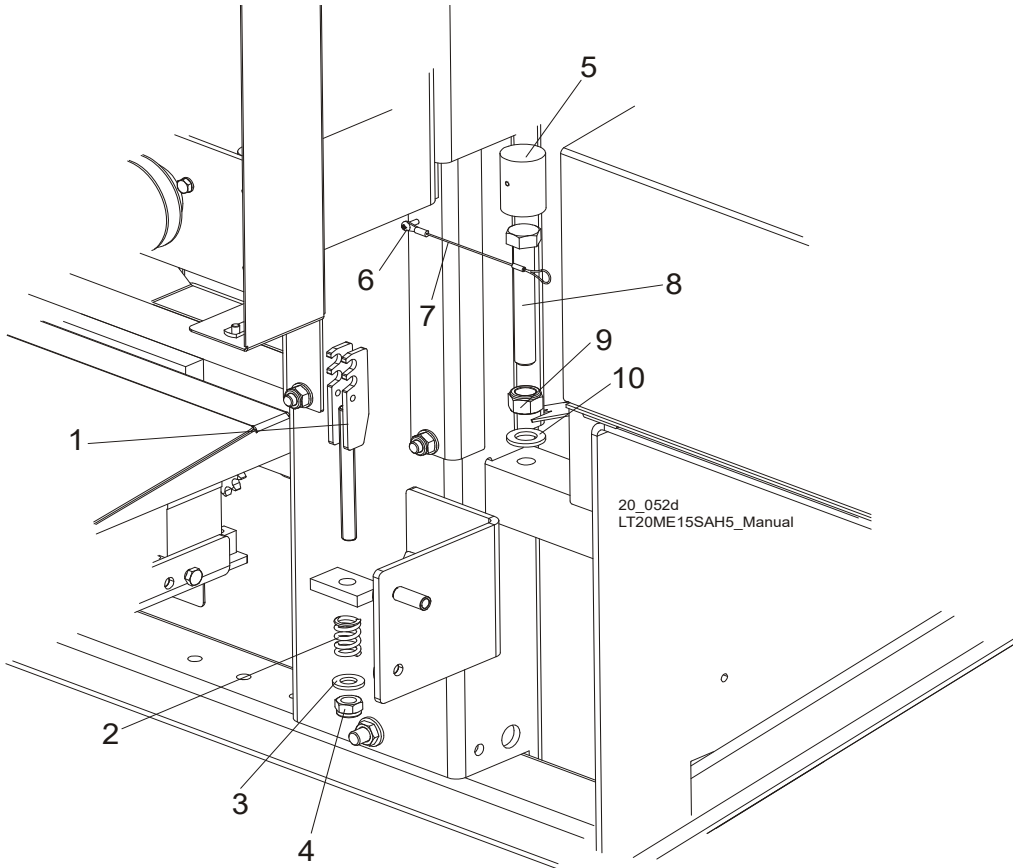
5.2 Up/Down Assembly, DC Mills



| REF. | DESCRIPTION (◆ Indicates Parts Available In Assemblies Only) | PART # | QTY | |
|------|--|---------------|----------|---|
| | MOTOR ASSEMBLY, LT20 DC UP/DOWN | 098346 | 1 | ◆ |
| | Motor Assembly, LT20 Up/Down | 098299 | 1 | |
| 1 | Box, R-63/66/F1/B3 Gear | 097786 | 1 | |
| 2 | Pulley, LT20 | 091078-1 | 1 | |
| 3 | Screw, M8x8-33H Hex Socket Set Flat Point | F81014-1 | 1 | |
| 4 | Shaft, LT20 Up/Down w/Sprocket | 512249-1 | 1 | |
| 5 | Key, A8x7x32 Parallel | 088564 | 2 | |
| 6 | Bearing Assembly, UCP 205CX | 088468 | 1 | |
| 7 | Ring, Z28 Outside Retaining | F81090-12 | 1 | |
| 8 | Washer | 098351 | 1 | |
| | Sprocket Assembly | 512276 | 2 | |
| 9 | Sprocket, ULMER T08260 | 512247-1 | 1 | |
| 10 | Spacer, Drive Bearing | 098166 | 2 | |
| 11 | Washer, 17 Flat Zinc | F81058-1 | 2 | |
| 12 | Pin, Up/Down Drive Shaft | 098289-1 | 1 | |
| 13 | Nut, M16-8 Hex Nylon Zinc Lock | F81036-2 | 1 | |
| 14 | Bushing, D42 Belt Tensioner Spacer Zinc-pl. | 087965-1 | 1 | |
| 15 | Bushing, Up/down Sprocket Spacer Zinc-pl. | 088792-1 | 1 | |
| 16 | Ring, W40 Inside Retaining | F81090-3 | 2 | |
| 17 | Bolt, M12x45-8.8 Hex Head Zinc | F81004-32 | 2 | |

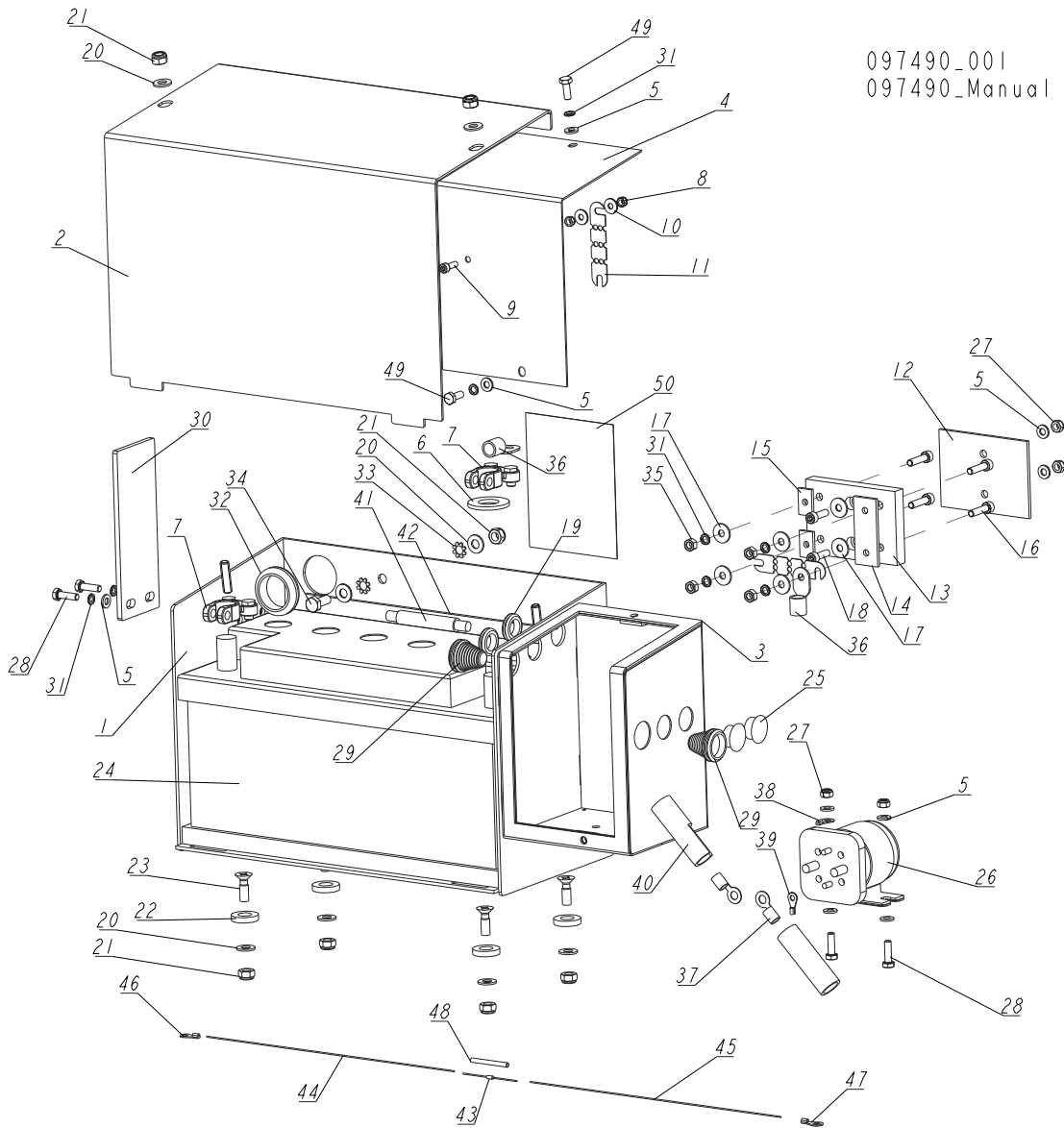
| | | | | |
|----|---|----------|----|--|
| 18 | Washer, 13 Flat Zinc | F81056-1 | 4 | |
| 19 | Nut, M12-8 Hex Nylon Zinc Lock | F81034-2 | 2 | |
| | Motor Assembly, LT20 DC Up/Down | 091303 | 1 | |
| 20 | Plate, LT20 DC Up/Down Motor Mount | 098363-1 | 1 | |
| 21 | Motor, 0.5HP 12V DC Up/Down & Power Feed | 006747 | 1 | |
| | Brush Kit, 0.5/0.75HP 12VDC | 061794 | | |
| 22 | Bolt, M6x25 -5.8 Hex Head Full Thread Zinc | F05005-1 | 3 | |
| 23 | Washer, 6.4 Flat Zinc | F81053-1 | 3 | |
| 24 | Pulley, "A" SR. 82/12.7 | 093158-1 | 1 | |
| 25 | Bolt, M8x30-5.8 Hex Head Full Thread Zinc | F81002-2 | 4 | |
| 26 | Washer, 8.4 Flat Zinc | F81054-1 | 18 | |
| 27 | Nut, M8-8-B Hex Nylon Zinc Lock | F81032-2 | 8 | |
| 28 | Screw, M6x8 Hex Socket Set Flat Point Zinc | F81013-1 | 2 | |
| 29 | Bolt, M8x30-8.8-B Hex Head Full Thread Zinc | F81002-7 | 4 | |
| 30 | V-Belt, HA-800 (Kleberg) | 091086 | 1 | |

5.3 Up/Down Chain Tensioner Assembly



| REF. | DESCRIPTION (◆ Indicates Parts Available In Assemblies Only) | PART # | QTY |
|------|--|-----------|-----|
| 1 | TENSIONER WELDMENT, LT20 UP/DOWN CHAIN ZINC-PLATED | 512259-1 | 1 |
| 2 | SPRING, 14 X 30 X 3.2 | 090797 | 1 |
| 3 | WASHER, 13 ZINC FLAT | F81056-1 | 1 |
| 4 | NUT, M12-8 HEX NYLON ZINC LOCK | F81034-2 | 1 |
| | BLOCK, HEAD SUPPORTING, COMPLETE | 097775 | 1 |
| 5 | Block, Head Support | 097771-1 | 1 |
| 6 | Screw, M4x12-5.8-B Cross Recessed Pan Head Zinc | F81011-43 | 1 |
| 7 | Lanyard, 3/64 x 6 | 016030 | 1 |
| 8 | BOLT, M16X110-8.8 HEX HEAD ZINC | F81006-24 | 1 |
| 9 | NUT, M16-8 HEX NYLON ZINC LOCK | F81036-2 | 1 |
| 10 | WASHER, 17 FLAT ZINC | F81058-1 | 1 |
| | CHAIN, LT20 UP/DOWN TYPE 10B-2-111 LINKS | 512641 | 1 |

5.4 Battery Box Assembly (DC Sawmills)

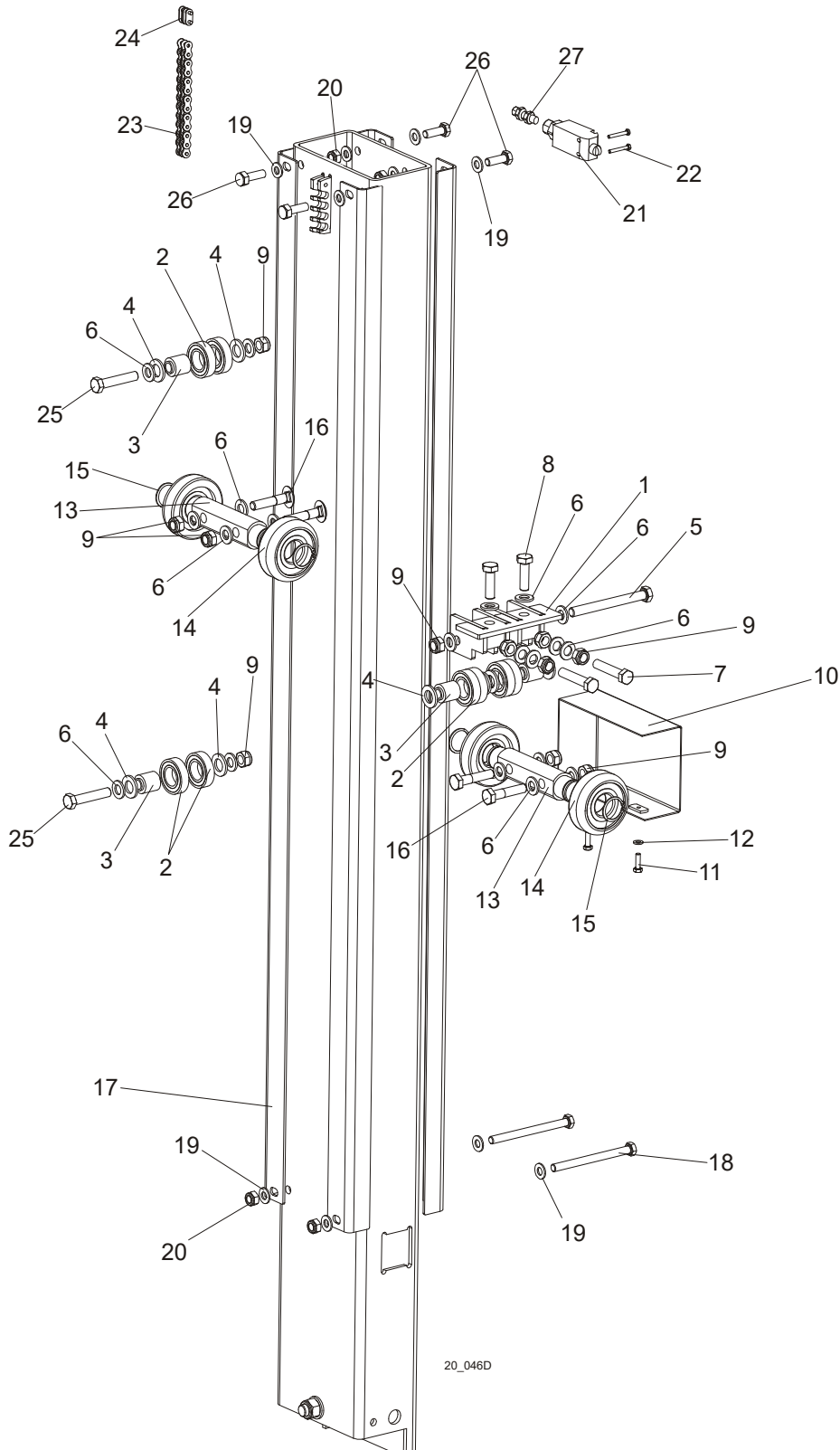


| REF. | DESCRIPTION (◆ Indicates Parts Available In Assemblies Only) | PART # | QTY |
|------|--|---------------|----------|
| | BATTERY BOX, T20 B/H - COMPLETE | 097490 | 1 |
| 1 | BOX, BATTERY | 097486-1 | 1 |
| 2 | LID, BATTERY BOX | 097489-1 | 1 |
| 3 | GASKET, FUSE BOX | 092226 | 1 |
| 4 | LID, FUSE BOX | 092222-1 | 1 |
| 5 | WASHER, 6.4 FLAT ZINC | F81053-1 | 10 |
| 6 | WASHER, FELT BATTERY TERMINAL | P12161 | 1 |
| 7 | TERMINAL, BATTERY | P05085 | 2 |
| 8 | NUT, M5-8 DIN985 ZINC-PLATED | F81030-2 | 2 |
| 9 | SCREW, M5X16-8.8 HEX SOCKET HEAD CAP ZINC | F81000-25 | 1 |
| 10 | WASHER, 5.5 SPECIAL FLAT ZINC | F81052-3 | 2 |
| 11 | FUSE, 150A 12V LINK | 023361 | 2 |

| REF. | DESCRIPTION (◆ Indicates Parts Available In Assemblies Only) | PART # | QTY | |
|------|--|---------------|----------|--|
| 12 | PLATE, 1/8 PLASTIC FUSE BOX | 015287 | 1 | |
| | BLOCK ASSEMBLY, FUSE, HIGH AMP | 017665 | 1 | |
| 13 | FUSE BLOCK, RYERTEX HIGH AMP | 017664 | 1 | |
| 14 | POST WELDMENT, FUSE BLOCK, HIGH AMP | 017663 | 1 | |
| 15 | NUT, 1/4-20 WELD CADMIUM PLATED | S12392 | 2 | |
| 16 | SCREW, M6X25-8.8 HEX SOCKET HEAD CAP ZINC | F81001-41 | 4 | |
| 17 | WASHER, 6.5 SPECIAL FLAT ZINC | F81053-11 | 6 | |
| 18 | SCREW, M6X20 8.8 HEX SOCKET HEAD CAP ZINC | F81001-22 | 2 | |
| 19 | GROMMET, 5/8 ID RUBBER | P11764 | 2 | |
| 20 | WASHER, 8.4 FLAT ZINC | F81054-1 | 8 | |
| 21 | NUT, M8 8 HEX NYLON ZINC LOCK | F81032-2 | 7 | |
| 22 | BUSHING, 12.6 HOLE 5MM LONG SPACER | R80671-5 | 4 | |
| 23 | SCREW, M8X25-5.8 CROSS RECESSED COUNTERSUNK HEAD ZINC | F81002-51 | 4 | |
| 24 | BATTERY, "BANNER" 12V100AH | 088323 | 1 | |
| 25 | CAP, SR1086 22.2 HOLE | 093544 | 2 | |
| 26 | SOLENOID, 200A 12V SPST CONT. DUTY | 015470 | 1 | |
| 27 | NUT, M6-8-B HEX NYLON ZINC LOCK | F81031-2 | 4 | |
| 28 | BOLT, M6X20 8.8 HEX HEAD FULL THREAD ZINC | F81001-2 | 4 | |
| 29 | GROMMET, 1709 (26/3/10-22) STEPPED | 098816 | 2 | |
| 30 | PLATE, GUIDE | 098662-1 | 1 | |
| 31 | WASHER, Z 6.1 SPLIT LOCK ZINC | F81053-3 | 8 | |
| 32 | GROMMET, PVC 32/38 BL.3MM | 500663 | 1 | |
| 33 | WASHER, 8.4 EXTERIOR STAR LOCK ZINC | F81054-3 | 2 | |
| 34 | BOLT, M8X20 8.8 HEX HEAD FULL THREAD ZINC | F81002-4 | 1 | |
| 35 | NUT, M6 8 HEX ZINC | F81031-1 | 4 | |
| 36 | TERMINAL, KO50/6 RING | F81067-4 | 2 | |
| 37 | TERMINAL, K050/8 RING | F81067-2 | 2 | |
| 38 | TERMINAL, KO 2.5/6 RING | F81064-13 | 1 | |
| 39 | TERMINAL, KO 2.5/5 RING | F81064-1 | 1 | |
| 40 | BOOT, 5/8 BLACK BATTERY TERMINAL | S11947 | 2 | |
| 41 | CABLE, H07V-K BK 1X50 | R80591-1 | 1 | |
| 42 | CABLE, H05V-K 1X1MM2 BK BLACK | R80583-21 | 1 | |
| | DIODE, INDUCTIVE KICK PROTECTION - COMPLETE | 087496 | 1 | |
| 43 | DIODE, 1N4007 | 087497 | 1 | |
| 44 | CABLE, H05V-K 1X1MM2 RD RED | R80583-2 | 1 | |
| 45 | CABLE, H05V-K 1X1MM2 BK BLACK | R80583-21 | 1 | |
| 46 | TERMINAL, KO 2.5/5 RING | F81064-1 | 1 | |
| 47 | TERMINAL, 2.5/6 RING | F81064-13 | 1 | |
| 48 | TUBING, RC4/1 BLACK HEAT SHRINK | R80600-5 | 1 | |
| 49 | BOLT, M6X16-8.8 HEX HEAD FULL THREAD ZINC | F81001-15 | 2 | |
| 50 | DECAL, FUSE LINK 150A ID | 015369 | 1 | |

SECTION 6 UP/DOWN ROLLERS & BLADE HEIGHT SCALE

6.1 Up/Down Rollers



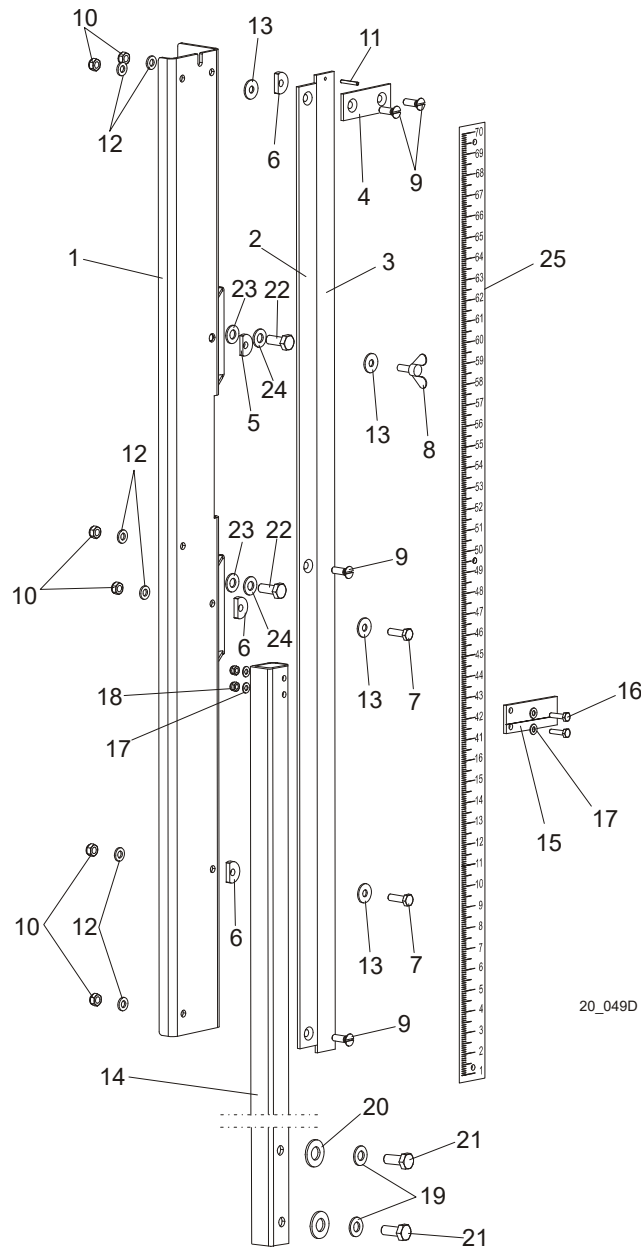
| REF. | DESCRIPTION (◆ Indicates Parts Available In Assemblies Only) | PART # | QTY |
|------|--|----------|-----|
| 1 | BRACKET WELDMENT, LT20 UP/DOWN ROLLER | 091095-1 | 1 |

6 Up/Down Rollers & Blade Height Scale

Up/Down Rollers

| | | | | |
|----|--|-----------|----|--|
| 2 | BEARING, 6005 2RS CX | 089652 | 8 | |
| 3 | BUSHING, LT20 UP/DOWN ROLLER | 090790 | 4 | |
| 4 | WASHER, 17 ZINC FLAT | F81058-1 | 10 | |
| 5 | BOLT, M12 X 120 8.8 HEX HEAD ZINC | F81004-38 | 1 | |
| 6 | WASHER, 13 ZINC FLAT | F81056-1 | 20 | |
| 7 | BOLT, M12 X 60-8.8 HEX HEAD FULL THREAD ZINC | F81004-51 | 2 | |
| 8 | BOLT, M12 X 40-8.8 HEX HEAD FULL THREAD ZINC | F81004-4 | 2 | |
| 9 | NUT, M12-8 HEX NYLON ZINC LOCK | F81034-2 | 11 | |
| 10 | GUARD, LT20 UP/DOWN ROLLERS PTD | 091619-1 | 1 | |
| 11 | BOLT, M6 X 20-8.8 HEX HEAD FULL THREAD ZINC | F81001-2 | 2 | |
| 12 | WASHER, 6.4 ZINC FLAT | F81053-1 | 2 | |
| 13 | SHAFT, UP/DOWN ROLLERS ZINC-PLATED | 090616-1 | 2 | |
| 14 | ROLLER, CBK-468 | 088433 | 4 | |
| 15 | RING, Z30 SPRING RETAINING | F81090-23 | 4 | |
| 16 | BOLT, M12X55-8.8 HEX HEAD FULL THREAD ZINC | F81004-43 | 4 | |
| 17 | ANGLE, LT20 MAST TUBE | 091182 | 4 | |
| 18 | BOLT, M10 X 125-8.8 HEX HEAD ZINC | F81003-18 | 2 | |
| 19 | WASHER, 10.5 ZINC FLAT | F81055-1 | 22 | |
| 20 | NUT, M10-8-B HEX NYLON ZINC LOCK | F81033-1 | 10 | |
| 21 | SWITCH, GLCB01C LIMIT | 100910 | 1 | |
| 22 | BOLT, M4 X 30 8.8 HEX HEAD FULL THREAD ZINC | F81011-5 | 2 | |
| 23 | CHAIN, LT20 UP/DOWN TYPE 10B-2-111 LINKS | 512641 | 1 | |
| 24 | LINK, 10B-2Pz | 088673 | 1 | |
| 25 | BOLT, M12X60-8.8 HEX HEAD ZINC | F81004-5 | 2 | |
| 26 | BOLT, M10X25-8.8 HEX HEAD FULL THREAD ZINC | F81003-11 | 4 | |
| 27 | GROMMET DP 9/H | F81096-2 | 1 | |

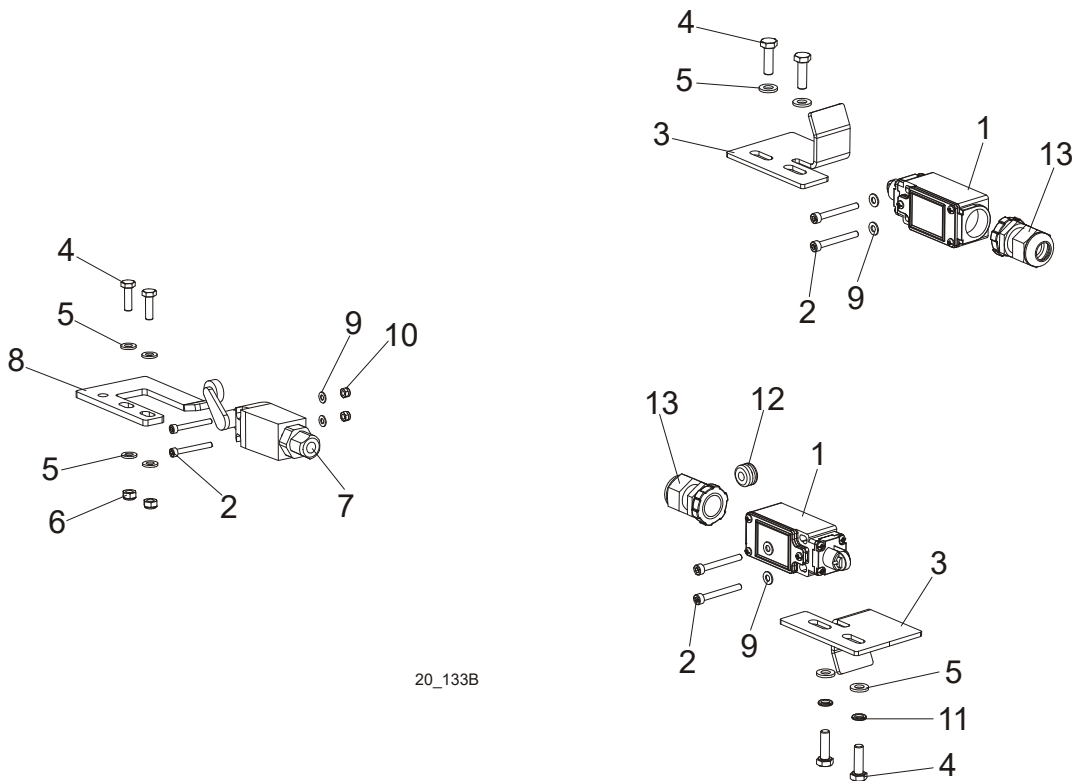
6.2 Blade Height Scale



| REF. | DESCRIPTION (◆ Indicates Parts Available In Assemblies Only) | PART # | QTY |
|------|--|-----------|-----|
| | SCALE, LT20 W/INDICATOR COMPLETE | 504253 | 1 |
| | SCALE, LT20 COMPLETE | 093135 | 1 |
| 1 | BRACKET, SCALE MOUNT PTD | 092749-1 | 1 |
| 2 | BAR, SCALE | 092750 | 1 |
| 3 | BAR, INCH SCALE | 093133 | 1 |
| 4 | BAR, SCALE MOUNT | 093134 | 1 |
| 5 | WASHER, 6.2X20X3.5 SPECIAL | 503096 | 1 |
| 6 | WASHER, 6.2X20X4.5 SPECIAL | 503098 | 3 |
| 7 | BOLT, M6X20-8.8 HH FULL THREAD ZINC | F81001-2 | 2 |
| 8 | SCREW, M6X16 BN276 DIN 316 THUMB | F81001-16 | 1 |

| | | | | |
|----|---|-----------|---|--|
| 9 | SCREW, M6X20- 4.8-B FE/ZN5 PN-85/M-82207 | F81001-31 | 4 | |
| 10 | NUT, M6-8-B HEX NYLON LOCK ZINC | F81031-2 | 6 | |
| 11 | PIN, 3x20 ROLL ZINC | F81044-5 | 1 | |
| 12 | WASHER, 6.4 FLAT ZINC | F81053-1 | 6 | |
| 13 | WASHER, 6.5 SPECIAL FLAT ZINC | F81053-11 | 4 | |
| | INDICATOR, LT20 CUTTING HEIGHT COMPLETE | 504086 | 1 | |
| 14 | BRACKET, SCALE INDICATOR MOUNT | 092751-1 | 1 | |
| 15 | INDICATOR, BLADE HEIGHT SCALE | 094821 | 1 | |
| 16 | BOLT, M5x16-8.8 HEX HEAD FULL THREAD ZINC | F81000-20 | 2 | |
| 17 | WASHER, 5.3 FLAT ZINC | F81052-1 | 4 | |
| 18 | NUT, M5-8-Fe/Zn5 DIN985 | F81030-2 | 2 | |
| 19 | WASHER, 8.4 FLAT ZINC | F81054-1 | 2 | |
| 20 | WASHER, 8.2 SPLIT LOCK ZINC | F81054-4 | 2 | |
| 21 | BOLT, M8 X 45 - 8.8 HEX HEAD FULL THREAD ZINC | F81002-14 | 2 | |
| 22 | BOLT, M8 X 20-5.8 HEX HEAD FULL THREAD ZINC | F81002-1 | 2 | |
| 23 | WASHER, 8.5 SPECIAL FLAT ZINC | F81054-11 | 2 | |
| 24 | WASHER, 8.2 SPLIT LOCK ZINC | F81054-4 | 2 | |
| 25 | DECAL, LT20 0-80CM METRIC SCALE | 091239 | 1 | |
| | DECAL, 45-63MM METRIC | P12040-2 | 1 | |
| | DECAL, 16-40MM METRIC | P12040-1 | 1 | |

6.3 Limit Switches

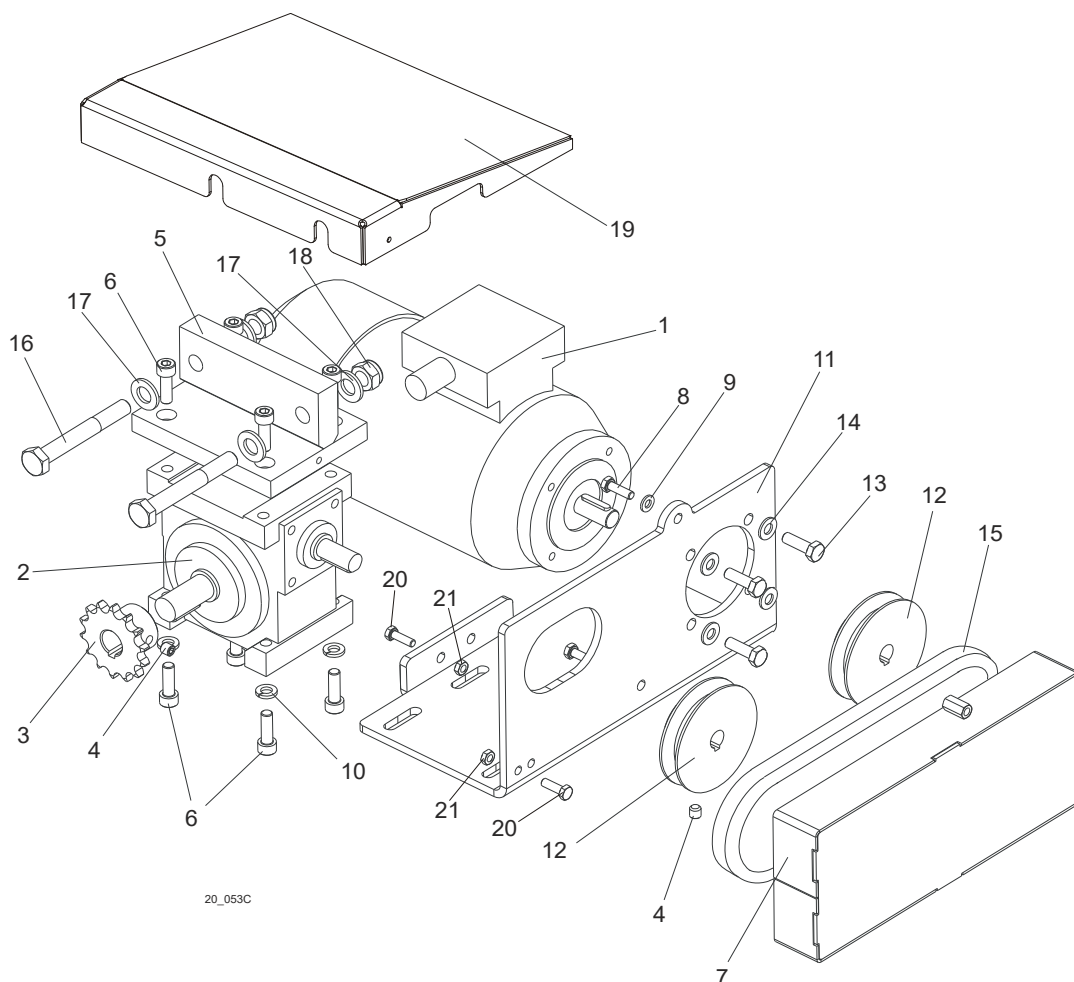


20_133B

| REF. | DESCRIPTION (◆ Indicates Parts Available In Assemblies Only) | PART # | QTY |
|------|--|-----------|-----|
| 1 | SWITCH, GLCB01C LIMIT | 100910 | 2 |
| 2 | SCREW, M4x35-8.8 HEX SOCKET HEAD CAP ZINC | F81011-34 | 6 |
| 3 | BRACKET, LIMIT SWITCH | 091682-1 | 2 |
| 4 | BOLT, M6X20-8.8 HEX HEAD FULL THREAD ZINC | F81001-2 | 6 |
| 5 | WASHER, 6.4 FLAT ZINC | F81053-1 | 8 |
| 6 | NUT, M6-8-B HEX NYLON LOCK ZINC | F81031-2 | 2 |
| 7 | SWITCH, GLCB01A1B LIMIT | 100931 | 1 |
| 8 | BRACKET, LIMIT SWITCH | 091852-1 | 1 |
| 9 | WASHER, 4.3 FLAT ZINC | F81051-2 | 6 |
| 10 | NUT, M4-B HEX NYLON LOCK ZINC | F81029-1 | 2 |
| 11 | WASHER, Z6.1 SPLIT LOCK ZINC | F81053-3 | 2 |
| 12 | GROMMET, RUBBER INSIDE DIA. 6mm | 085338 | 1 |
| 13 | GLAND, SKINTOP ST PG 13.5 GREY CABLE | 086524 | 2 |

SECTION 7 POWER FEED & TRACK ROLLERS

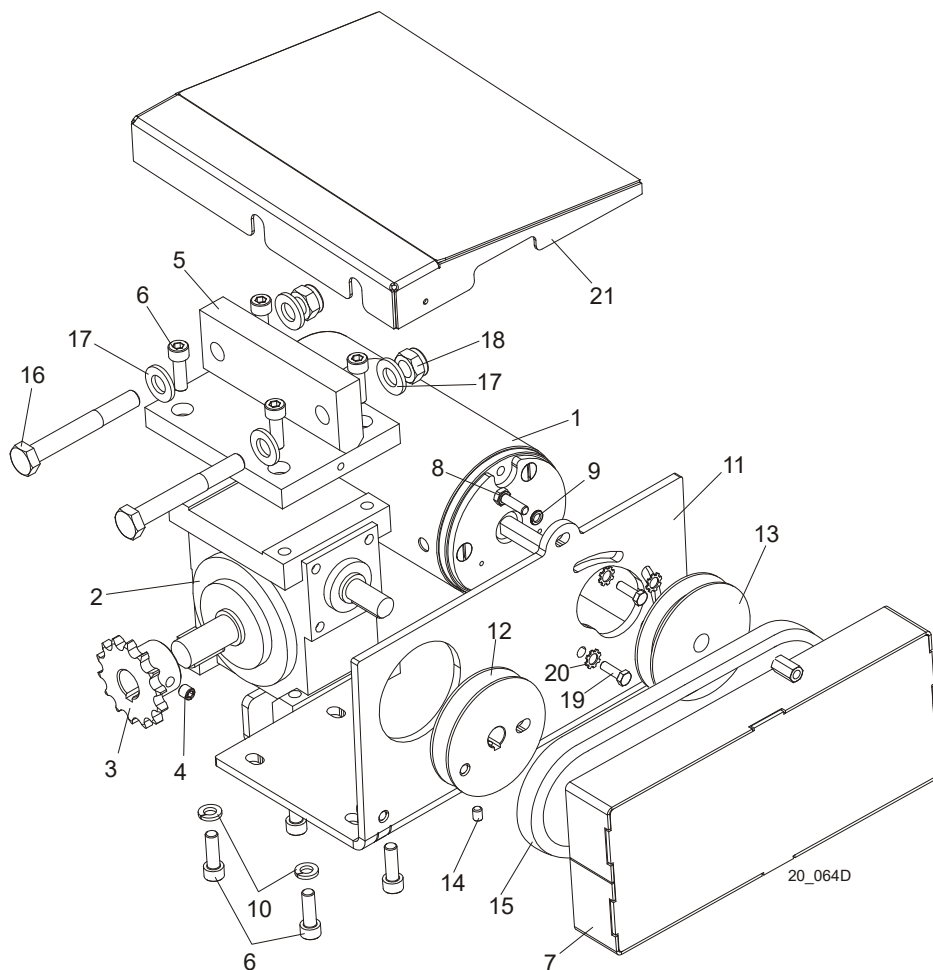
7.1 Power Feed Assembly, AC Mills



| REF. | DESCRIPTION (◆ Indicates Parts Available In Assemblies Only) | PART # | QTY |
|------|--|-----------|-----|
| | POWER FEED ASSEMBLY, LT20 AC | 091196 | 1 |
| 1 | Motor, Kh71X-2C2, RAL 9005 | 097313 | 1 |
| 2 | Gear Box, RA-04/7.5/D1/N+S/B8 w/Output Shaft | 090698 | 1 |
| 3 | Sprocket, 08B Z14 Zinc-plated | 090702-1 | 1 |
| 4 | Screw, M8x8-33H Hex Socket Set Flat Point Zinc | F81014-1 | 1 |
| 5 | Bracket, Power Feed Gear Box Mount | 090715-1 | 1 |
| 6 | Screw, M8X25-8.8 Hex Socket Head Cap Zinc | F81002-21 | 4 |
| 7 | Guard, Power Feed Drive Belt | 091195-1 | 1 |
| 8 | Bolt, M6x20-8.8 Hex Head Full Thread Zinc | F81001-2 | 2 |
| 9 | Washer, 6.4 Zinc Flat | F81053-1 | 2 |
| 10 | Washer, 8.2 Split Lock Zinc | F81054-4 | 4 |
| 11 | Bracket, Power Feed Gear Box | 091191 | 1 |
| 12 | Pulley, LT20 Power Feed Gear Box | 090699-1 | 2 |
| 13 | Bolt, M6x20-8.8-B Hex Head Full Thread Zinc | F81001-2 | 4 |
| 14 | Washer, 6.1 Split Lock Zinc | F81053-3 | 4 |

| | | | | |
|-----------|--|----------|---|--|
| 15 | V-Belt, HA-560 (STOMIL-SANOK) | 088562 | 1 | |
| 16 | BOLT, M12X90-8.8 HEX HEAD ZINC | F81004-2 | 2 | |
| 17 | WASHER, 13 ZINC FLAT | F81056-1 | 4 | |
| 18 | NUT, M12-8 HEX NYLON ZINC LOCK | F81034-2 | 2 | |
| 19 | GUARD, POWER FEED MOTOR | 093780-1 | 1 | |
| 20 | BOLT, M8 x 25-8.8-B HEX HEAD FULL THREAD ZINC | F81002-5 | 2 | |
| 21 | NUT, M8-9-B HEX ZINC | F81032-1 | 2 | |

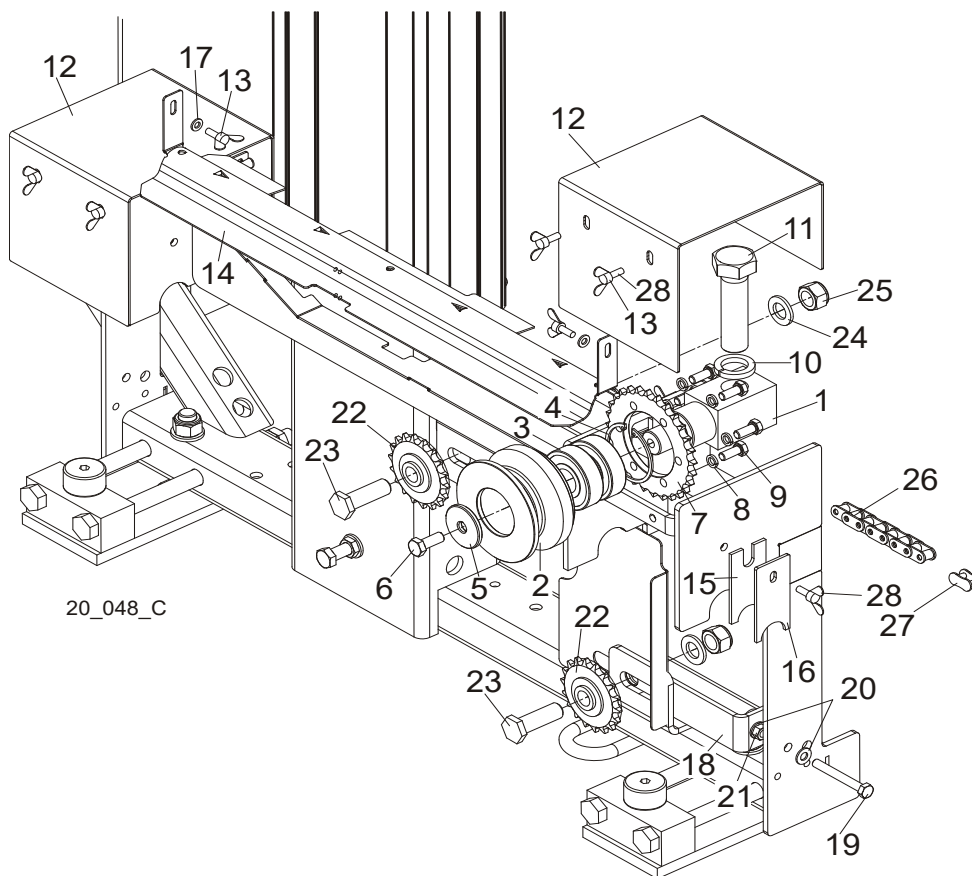
7.2 Power Feed Assembly, DC Mills



| REF. | DESCRIPTION (◆ Indicates Parts Available In Assemblies Only) | PART # | QTY |
|------|--|-----------|-----|
| | POWER FEED ASSEMBLY, LT20 DC | 090703 | 1 |
| 1 | Motor, 12V 0.5HP | 006747 | 1 |
| | Brush Kit, 1/2 HP 12V DC | 061794 | |
| 2 | Gear Box, RA-04/7.5/WBS/i1/N+S/B8 w/Output Shaft | 090698 | 1 |
| 3 | Sprocket, 10B Z14 Zinc-Plated | 090702-1 | 1 |
| 4 | Screw, M8x8-33H Hex Socket Set Flat Point Zinc | F81014-1 | 1 |
| 5 | Bracket, Power Feed Gear Box Mount | 090715-1 | 1 |
| 6 | Screw, M8X25-8.8 Hex Socket Head Cap Zinc | F81002-21 | 4 |
| 7 | Guard, Power Feed Drive Belt | 091195-1 | 1 |
| 8 | Bolt, M6x20-8.8 Hex Head Full Thread Zinc | F81001-2 | 2 |
| 9 | Washer, Z6.1 Split Lock Zinc | F81053-3 | 2 |
| 10 | Washer, 8.2 Split Lock Zinc | F81054-4 | 4 |
| 11 | Plate, LT20 Power Feed Motor Mount | 502550-1 | 1 |
| 12 | Pulley, LT20 Power Feed Gear Box | 090699-1 | 2 |
| 13 | Sheave, Up/Down Motor "A" 82/12.7 | 093158-1 | 1 |
| 14 | Screw, M6x8 Hex Socket Set Cone Point Zinc | F81013-1 | 3 |
| 15 | V-Belt, HA-560 (STOMIL-SANOK) | 088562 | 1 |

| | | | | |
|-----------|-------------------------------------|----------|---|--|
| 16 | Bolt, M12x90-8.8 Hex Head Zinc | F81004-2 | 2 | |
| 17 | Washer, 13 Zinc Flat | F81056-1 | 4 | |
| 18 | Nut, M12-8 Hex Nylon Zinc Lock | F81034-2 | 2 | |
| 19 | Bolt, 1/4-20x3/4 FT HHC | F05005-1 | 3 | |
| 20 | Washer, 6.4 Exterior Star Lock Zinc | F81053-2 | 3 | |
| 21 | GUARD, POWER FEED MOTOR | 093780-1 | 1 | |

7.3 Upper Track Rollers And Wipers



| REF. | DESCRIPTION (◆ Indicates Parts Available In Assemblies Only) | PART # | QTY |
|------|--|------------------------|-----|
| | ROLLER ASSEMBLY, LT20 UPPER TRACK | 090662 | 2 |
| | ROLLER ASSEMBLY, LT20B UPPER TRACK | 513500-1 ¹ | 2 |
| 1 | Block, Upper Track Roller Mount | 090665 | 1 |
| 2 | Roller, Upper Track | 090663 | 1 |
| 3 | Bearing, 6305 2RS NSK | P08066 | 2 |
| 4 | Ring, 2 7/16" Bevelled Snap | F04254-21 | 1 |
| 5 | Washer, Drive Wheel | 086286 | 1 |
| 6 | Bolt, M10x25-8.8 Hex Head Full Thread Zinc | F81003-11 | 1 |
| 7 | Sprocket, O8B Z28 | 090664 ² | 2 |
| 8 | Washer, 8.2 Split Lock Zinc | F81054-4 ² | 6 |
| 9 | Bolt, M8x20-5.8 Hex Head Full Thread Zinc | F81002-1 ² | 6 |
| 10 | WASHER, Z 24.5 SPLIT LOCK ZINC | F81061-4 | 2 |
| 11 | BOLT, M24X2X90-8.8 HEX HEAD FULL THREAD ZINC | F81009-2 | 2 |
| 12 | GUARD, UPPER TRACK ROLLER | 090749-1 | 2 |
| 13 | SCREW, M6 X 16 BN276 DIN 316 THUMB | F81001-16 ¹ | 4 |
| 14 | COVER, LT20 MIDDLE TRACK W/FELT - SERVICE | 091656-S | 1 |
| | Cover, LT20 Middle Track | 091656-1 | 1 |
| | Strip, 3/16 X 2 X 23 Felt | S09915 | 1 |

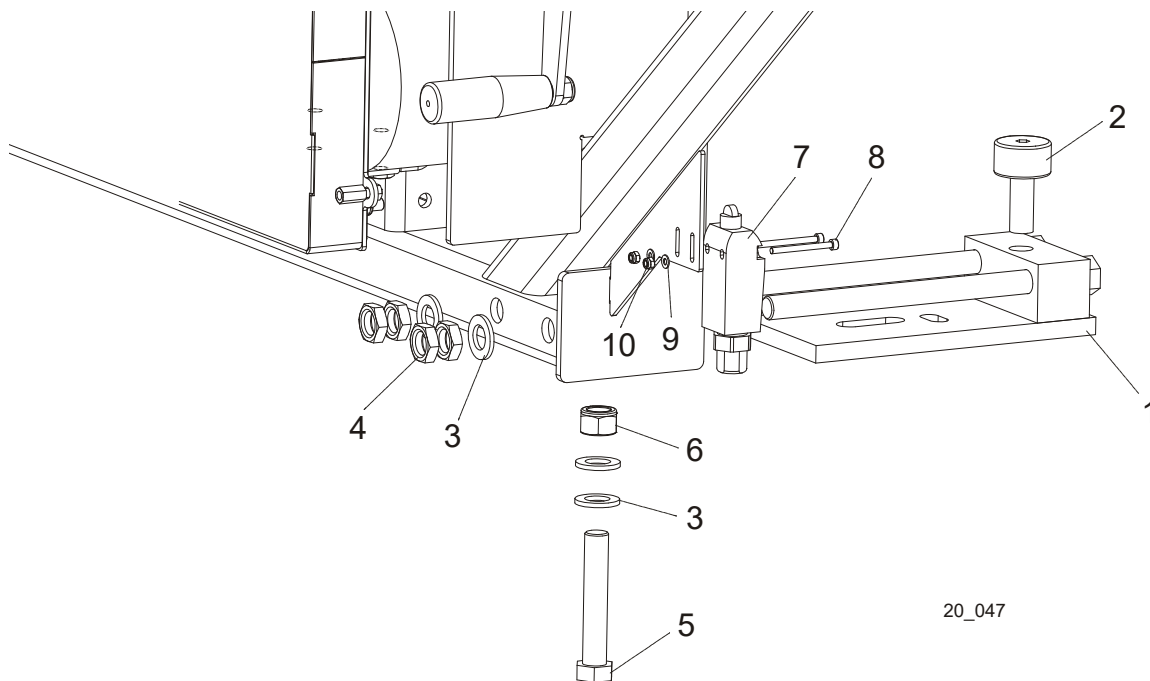
| | | | | |
|----|--|-----------------------|----------------|--|
| 15 | WIPER, TOP RAIL | M04113 | 2 | |
| 16 | PLATE, TRACK WIPER | 088559-1 | 2 | |
| 17 | WASHER, 6.4 ZINC FLAT | F81053-1 | 2 | |
| 18 | TENSIONER, POWER FEED SPROCKET | 092862-1 ³ | 1 | |
| 19 | BOLT, M8 X 65-5.8 HEX HEAD ZINC | F81002-3 ³ | 1 | |
| 20 | WASHER, 8.4 FLAT ZINC | F81054-1 ³ | 2 | |
| 21 | NUT, M8-8-B HEX ZINC | F81032-1 ³ | 1 | |
| 22 | SPROCKET, IDLER Z=18 KSR16.L0.08.10.18.0 | 088700 ³ | 2 | |
| 23 | BOLT, SPROCKET MOUNT | 091744-1 ³ | 2 | |
| 24 | WASHER, 17 FLAT ZINC | F81058-1 ³ | 2 | |
| 25 | NUT, M16-8 HEX NYLON ZINC LOCK | F81036-2 ³ | 2 | |
| 26 | CHAIN, LT20 08B-185 TYPE POWER FEED | 091624 ³ | 1 | |
| 27 | LINK, 08B-1PZ MASTER | 091625 ³ | 1 | |
| 28 | SCREW, M6 X 20 BN276 DIN 316 THUMB | F81001-58 | 10 | |
| | SCREW, M6 X 20 BN276 DIN 316 THUMB | F81001-58 | 4 ¹ | |

¹ Belongs to LT20B-ECP

² Does not belong to 513500-1

³ Does not belong to LT20B-ECP

7.4 Lower Track Rollers

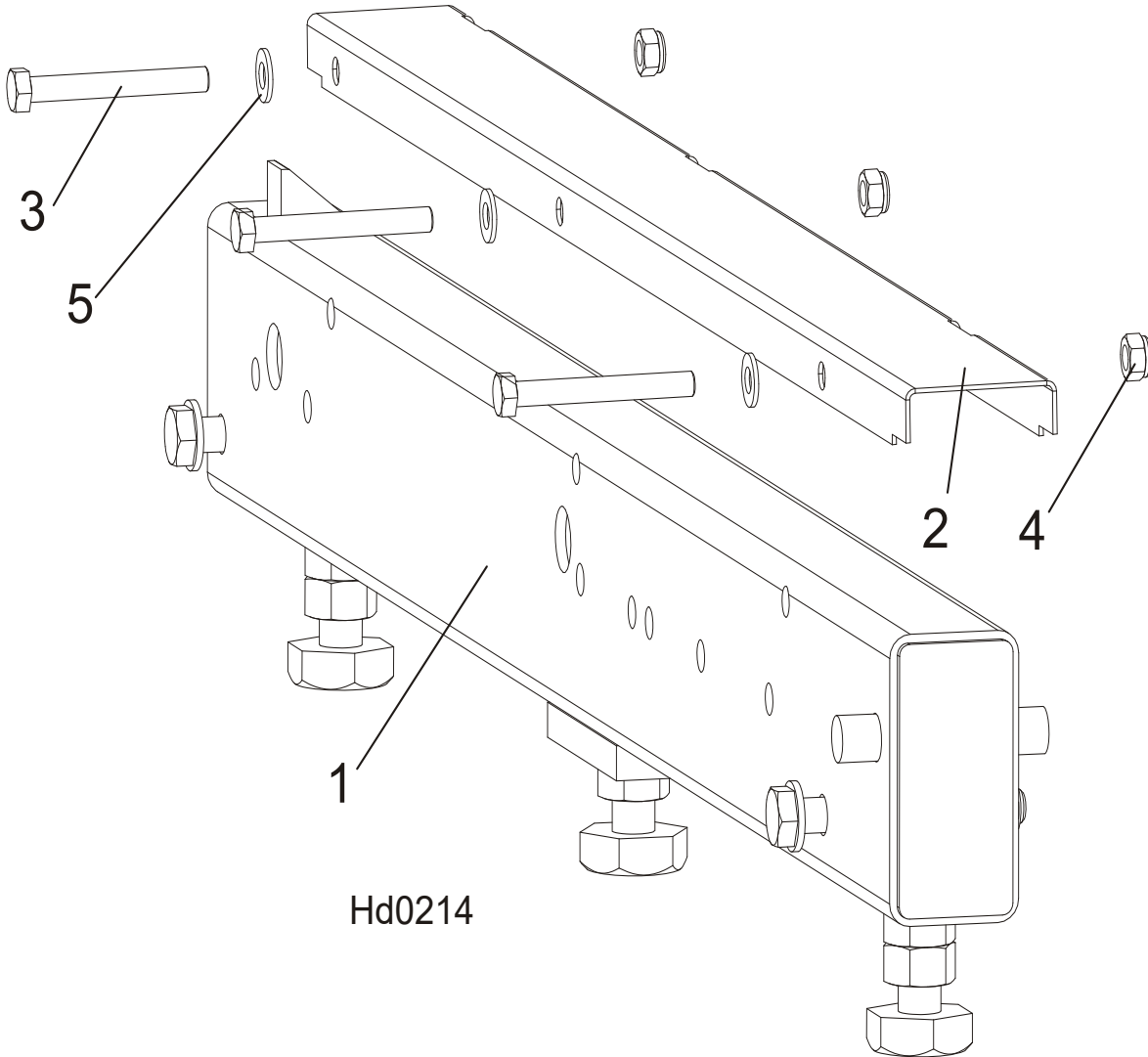


20_047

| REF. | DESCRIPTION (◆ Indicates Parts Available In Assemblies Only) | PART # | QTY |
|------|--|-----------|-----|
| | ROLLER ASSEMBLY, LT20 LOWER TRACK | 090670 | 2 |
| 1 | Bracket, LT20 Lower Track Roller | 090671-1 | 1 |
| 2 | Bearing, Cam Follower (McGill) | 012797 | 1 |
| 3 | WASHER, 17 ZINC FLAT | F81058-1 | 4 |
| 4 | NUT, M16 HEX THIN ZINC | F81036-4 | 4 |
| 5 | BOLT, M16 X 90-8.8 HEX HEAD ZINC | F81006-17 | 1 |
| 6 | NUT, M16-8 HEX NYLON ZINC LOCK | F81036-2 | 1 |
| 7 | SWITCH, GLCB01A1B LIMIT | 100931 | 1 |
| 8 | SCREW, M4 X 45-8.8 HEX SOCKET HEAD CAP ZINC | F81011-33 | 2 |
| 9 | NUT, M4-B HEX NYLON ZINC LOCK | F81029-1 | 2 |
| 10 | WASHER, 4.3 ZINC FLAT | F81051-2 | 2 |

SECTION 8 BED FRAME ASSEMBLY

8.1 Bed Rail Assembly, Front (S/M Type Frame)

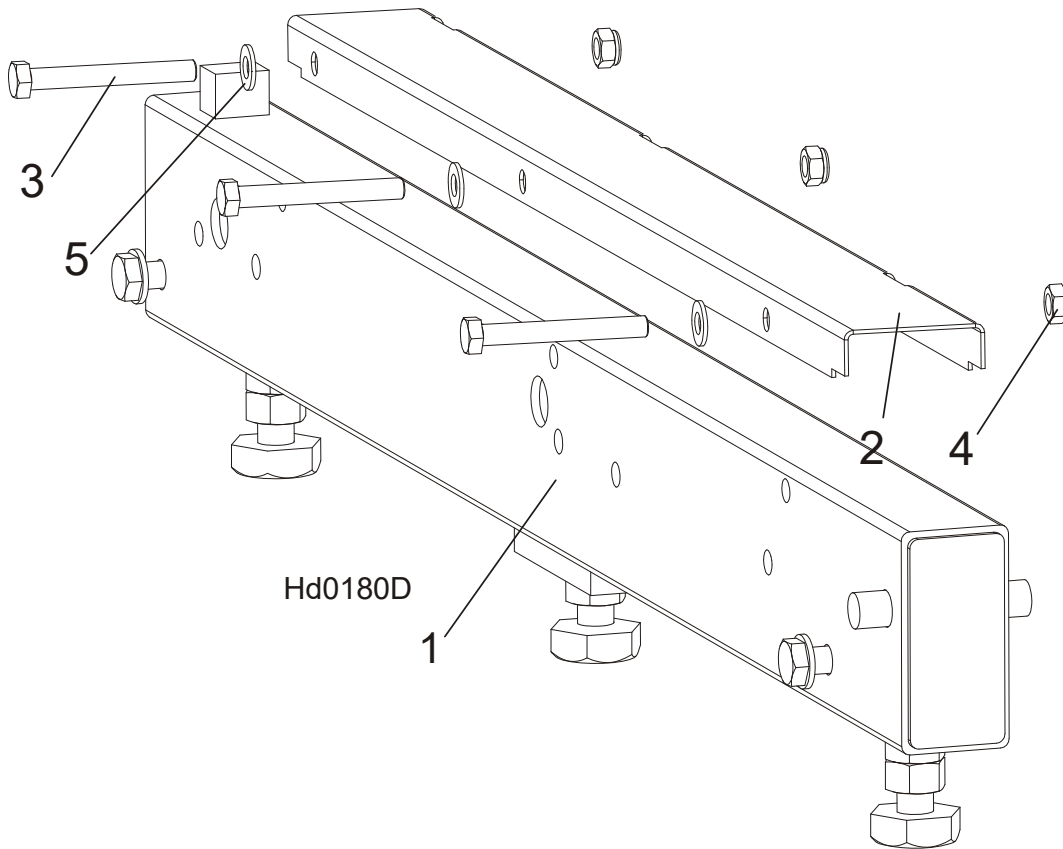


| REF. | DESCRIPTION (◆ Indicates Parts Available In Assemblies Only) | PART # | QTY |
|------|--|----------|-----|
| 1 | BED DRIVE ROLLER (S&M FRAME) | 100676 | 1 |
| 2 | COVER, STAINLESS STEEL BED RAIL | 099124 | 1 |
| 3 | BOLT, M8X65-5,8 ZINC HEX HEAD | F81002-3 | 3 |
| 4 | NUT, M8-8-B-ZINC HEX NYLON LOCK | F81032-2 | 3 |
| 5 | WASHER, 8.4 FLAT ZINC | F81054-1 | 3 |

8 Bed Frame Assembly

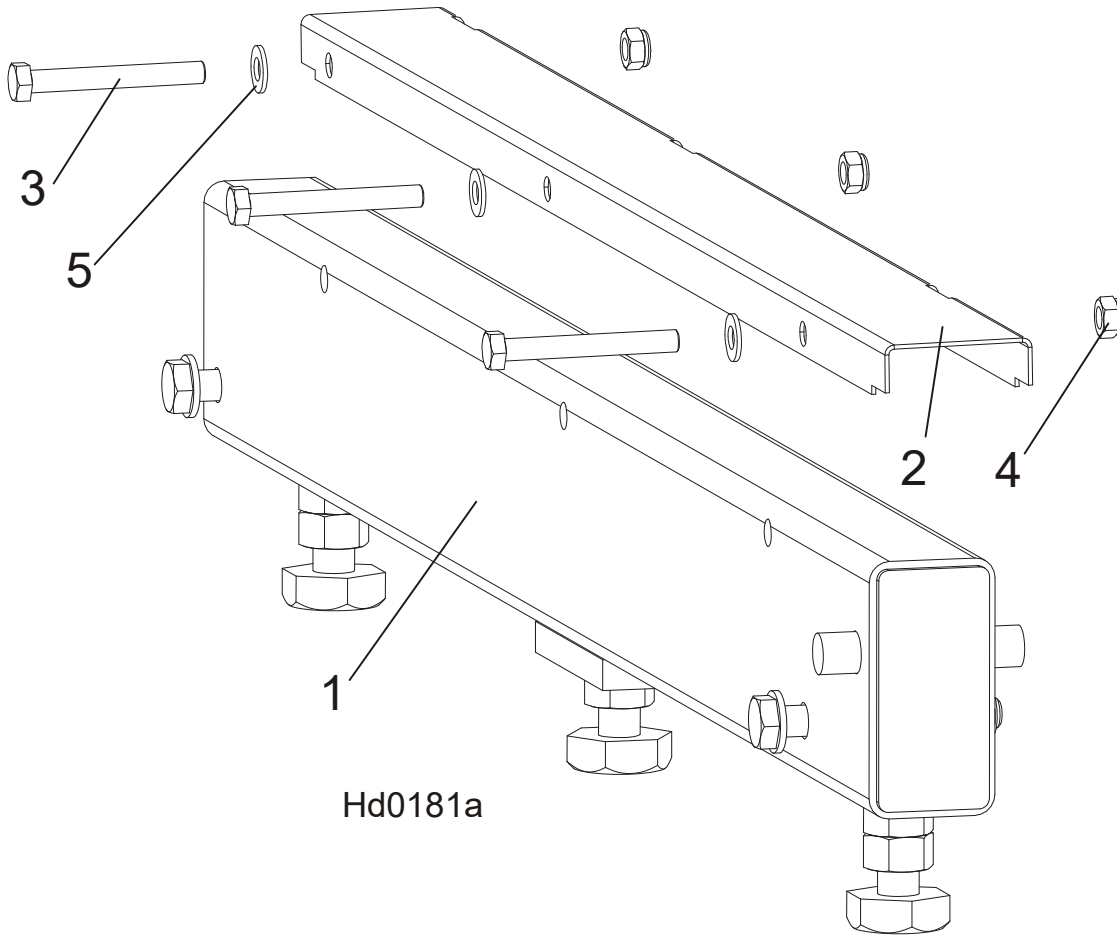
Bed Rail Assembly, Rear (S/M Type Frame)

8.2 Bed Rail Assembly, Rear (S/M Type Frame)



| REF. | DESCRIPTION (◆ Indicates Parts Available In Assemblies Only) | PART # | QTY |
|------|--|----------|-----|
| 1 | BED RAIL ASSEMBLY, REAR PAINTED | 091555 | 1 |
| 2 | COVER, STAINLESS STEEL BED RAIL | 099124 | 1 |
| 3 | BOLT, M8X65-5,8 ZINC HEX HEAD | F81002-3 | 3 |
| 4 | NUT, M8-8-B-ZINC HEX NYLON LOCK | F81032-2 | 3 |
| 5 | WASHER, 8.4 FLAT ZINC | F81054-1 | 3 |

8.3 Bed Rail Assembly, Front Middle (S/M Type Frame)



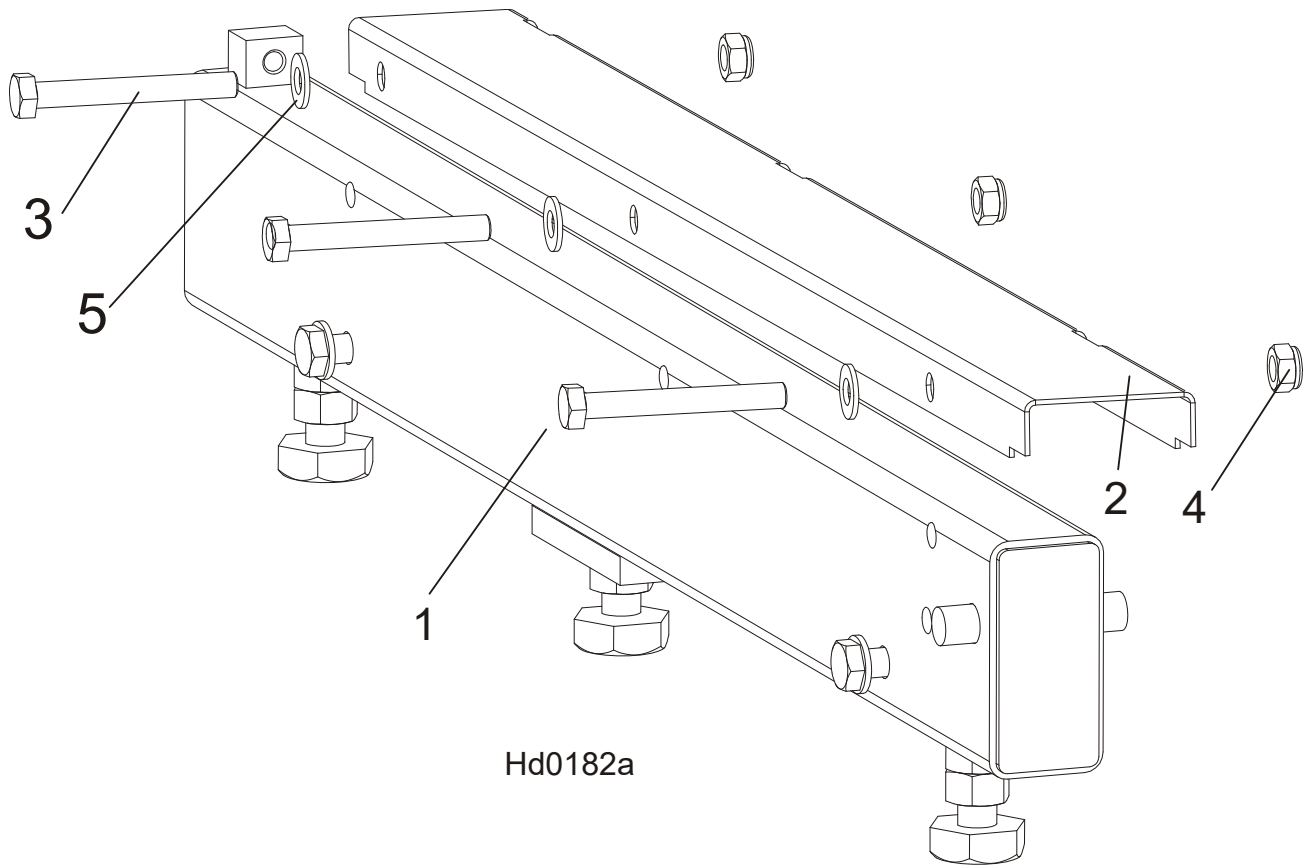
Hd0181a

| REF. | DESCRIPTION (◆ Indicates Parts Available In Assemblies Only) | PART # | QTY |
|------|--|----------|-----|
| 1 | BED RAIL ASSEMBLY, FRONT MIDDLE | 091556 | 1 |
| 2 | COVER, STAINLESS STEEL BED RAIL | 099124 | 1 |
| 3 | BOLT, M8X65-5.8 ZINC HEX HEAD | F81002-3 | 3 |
| 4 | NUT, M8-8-B-ZINC HEX NYLON LOCK | F81032-2 | 3 |
| 5 | WASHER, 8.4 FLAT ZINC | F81054-1 | 3 |

8 Bed Frame Assembly

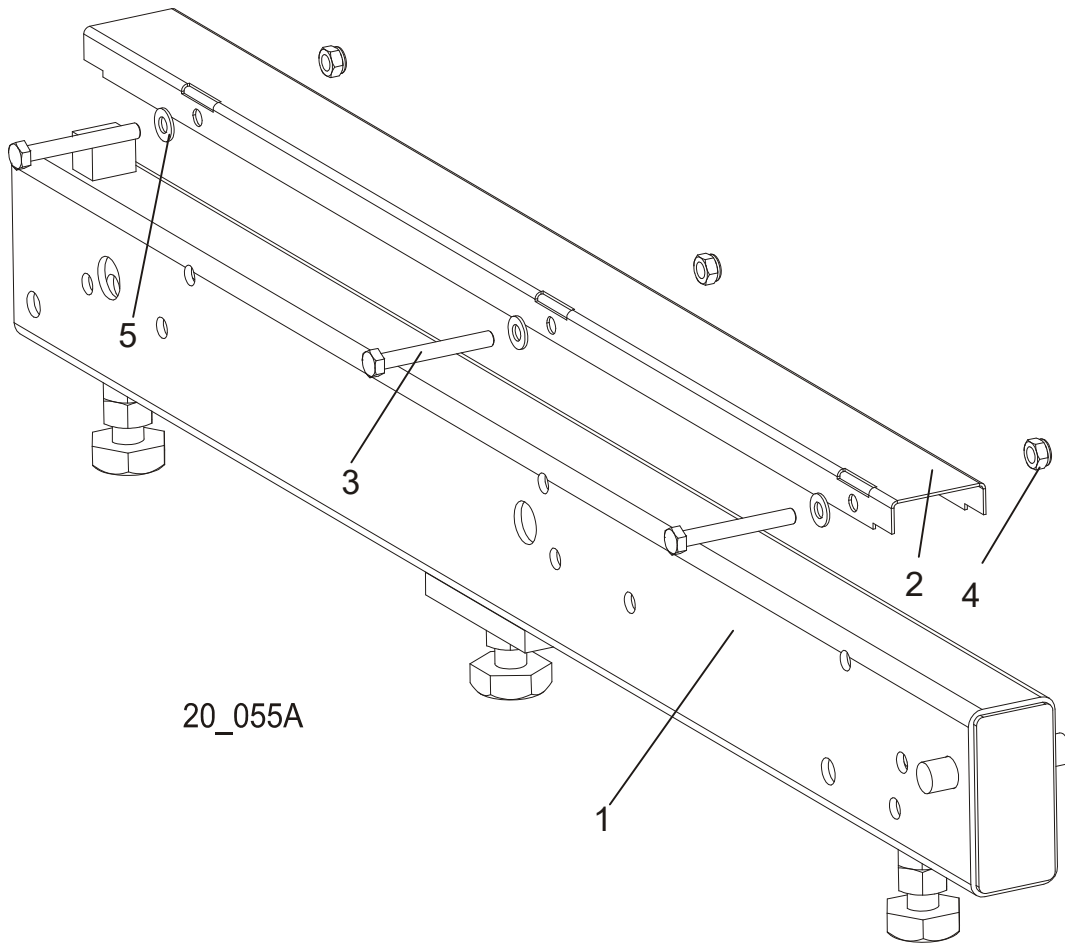
Bed Rail Assembly, Rear Middle (S/M Type Frame)

8.4 Bed Rail Assembly, Rear Middle (S/M Type Frame)



| REF. | DESCRIPTION (◆ Indicates Parts Available In Assemblies Only) | PART # | QTY |
|------|--|----------|-----|
| 1 | BED RAIL ASSEMBLY, REAR MIDDLE PAINTED | 091557 | 1 |
| 2 | COVER, STAINLESS STEEL BED RAIL | 099124 | 1 |
| 3 | BOLT, M8X65-5.8 ZINC HEX HEAD | F81002-3 | 3 |
| 4 | NUT, M8-8-B-ZINC HEX NYLON LOCK | F81032-2 | 3 |
| 5 | WASHER, 8.4 FLAT ZINC | F81054-1 | 3 |

8.5 Bed Rail Assembly (L Type Frame)

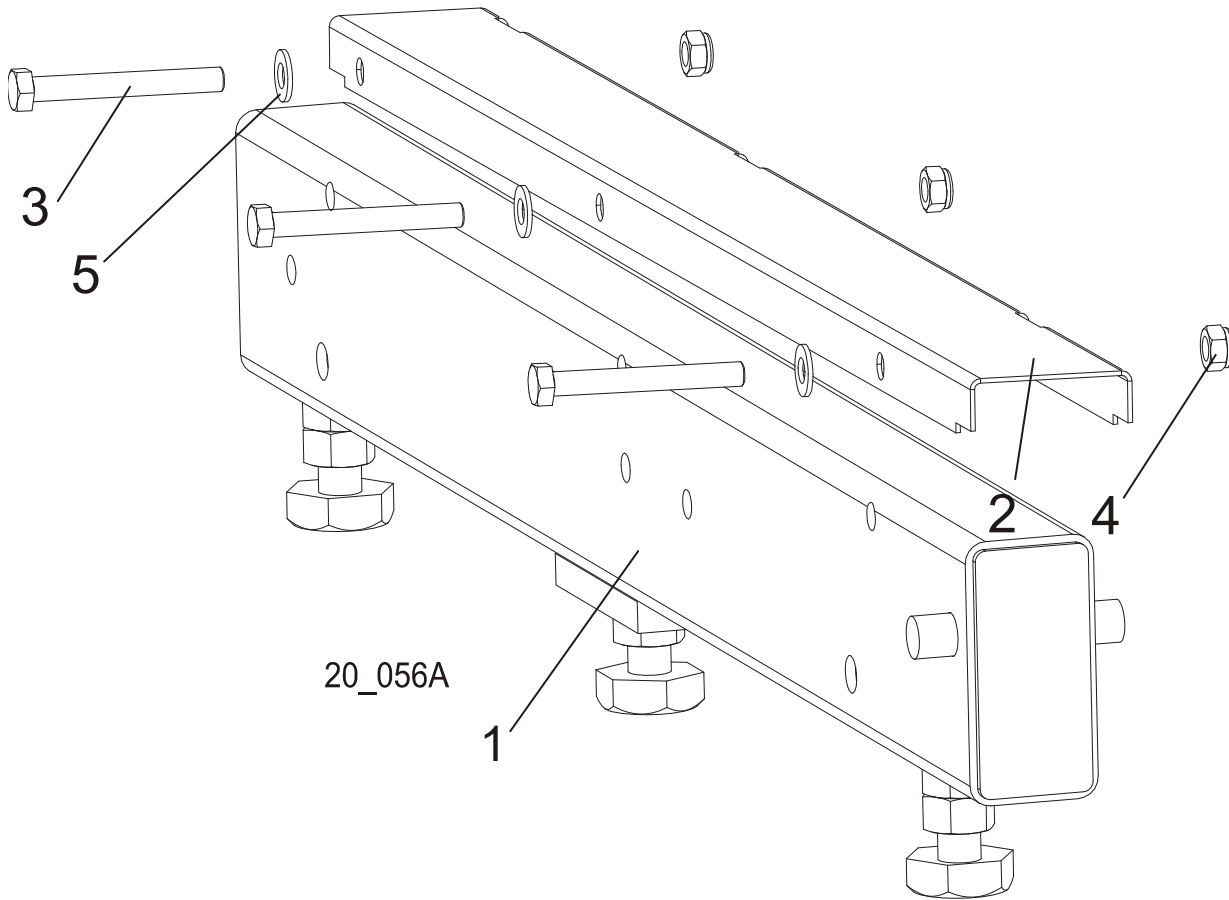


| REF. | DESCRIPTION (◆ Indicates Parts Available In Assemblies Only) | PART # | QTY |
|------|--|----------|-----|
| 1 | LONG BED RAIL ASSEMBLY | 089385 | 1 |
| 2 | COVER, STAINLESS STEEL BED RAIL | 099124 | 1 |
| 3 | BOLT, M8X65-5,8 ZINC HEX HEAD | F81002-3 | 3 |
| 4 | NUT, M8-8-B-ZINC HEX NYLON LOCK | F81032-2 | 3 |
| 5 | WASHER, 8.4 FLAT ZINC | F81054-1 | 3 |

8 Bed Frame Assembly

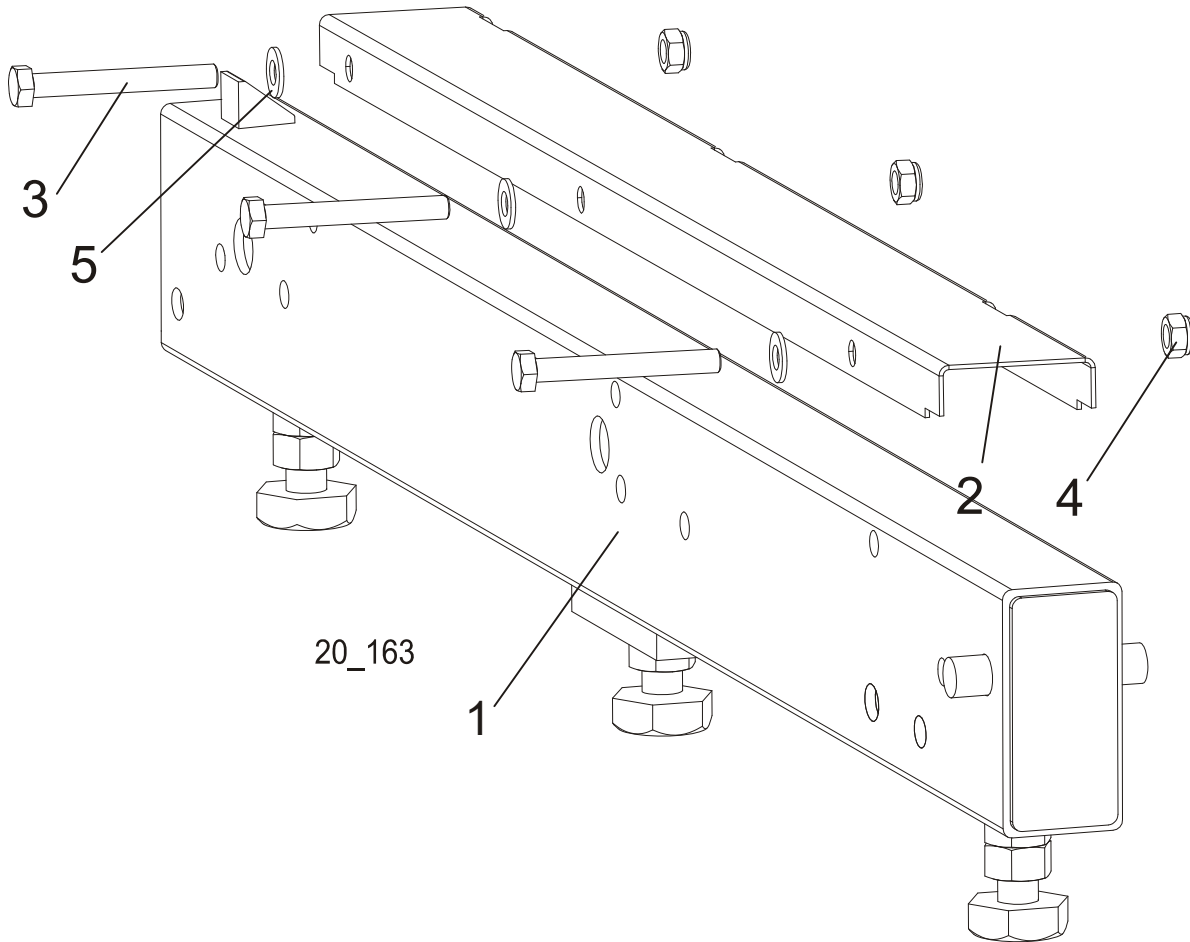
Bed Rail Assembly (L Type Frame)

8.6 Bed Rail Assembly (L Type Frame)



| REF. | DESCRIPTION (◆ Indicates Parts Available In Assemblies Only) | PART # | QTY |
|------|--|----------|-----|
| 1 | BED RAIL ASSEMBLY, SHORT | 089386 | 1 |
| 2 | COVER, STAINLESS STEEL BED RAIL | 099124 | 1 |
| 3 | BOLT, M8X65-5.8 ZINC HEX HEAD | F81002-3 | 3 |
| 4 | NUT, M8-8-B ZINC HEX NYLON LOCK | F81032-2 | 3 |
| 5 | WASHER, 8.4 FLAT ZINC | F81054-1 | 3 |

8.7 Bed Rail Assembly (L Type Frame)

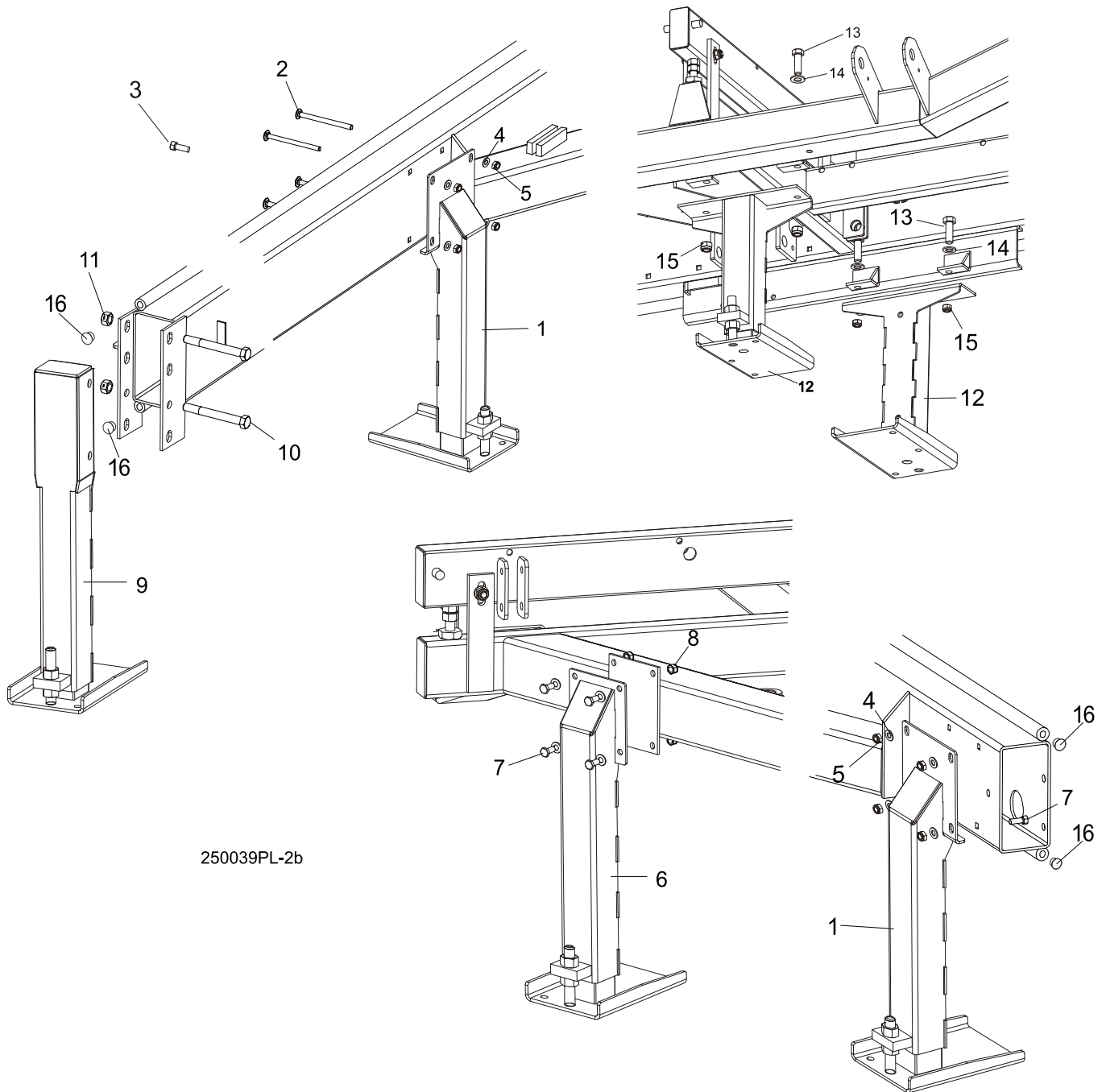


| REF. | DESCRIPTION (◆ Indicates Parts Available In Assemblies Only) | PART # | QTY |
|------|--|----------|-----|
| 1 | RAIL, "L" FRAME BED | 100680 | 1 |
| 2 | COVER, STAINLESS STEEL BED RAIL | 099124 | 1 |
| 3 | BOLT, M8X65-5.8 ZINC HEX HEAD | F81002-3 | 3 |
| 4 | NUT, M8-8-B ZINC HEX NYLON LOCK | F81032-2 | 3 |
| 5 | WASHER, 8.4 FLAT ZINC | F81054-1 | 3 |

8 Bed Frame Assembly

Leg, Stationary (S & M Type Frame)

8.8 Leg, Stationary (S & M Type Frame)



| REF. | DESCRIPTION (◆ Indicates Parts Available In Assemblies Only) | PART # | QTY |
|------|--|-----------|------|
| 1 | LEG, OUTRIGGER STATIONARY RIGHT | 501640 | 2/3 |
| 2 | BOLT, M10 X 120 - 8.8 CARRIAGE HEAD ZINC | F81003-33 | 8 |
| 3 | BOLT, 3/8-16 X 1" HEX HEAD ZINC GRADE 8 | F05007-7 | 4 |
| 4 | WASHER, 10.5 ZINC FLAT | F81055-1 | 16 |
| 5 | NUT, M10-8-B HEX NYLON ZINC LOCK | F81033-1 | 8/12 |
| 6 | LEG, OUTRIGGER STATIONARY LEFT | 501639 | 2 |

Bed Frame Assembly

Leg, Stationary (S & M Type Frame)

8

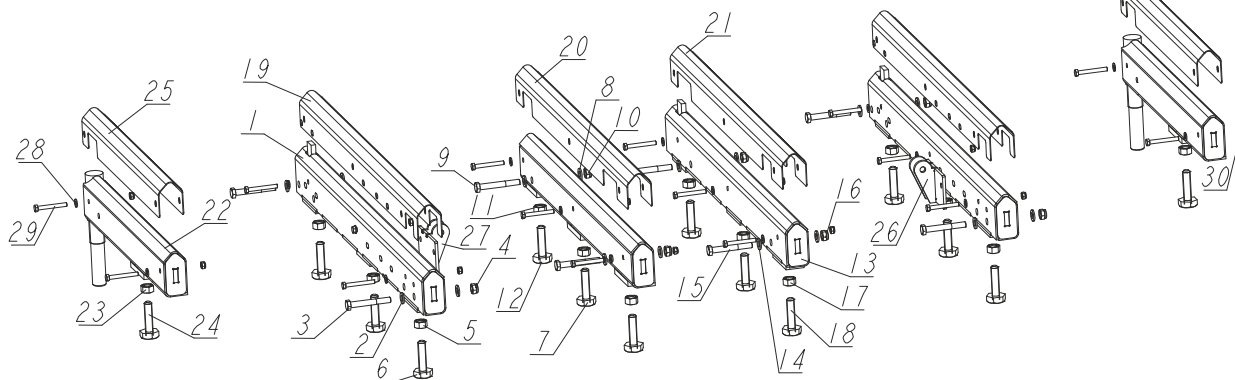
| | | | | |
|----|--|-----------|----|--|
| 7 | BOLT, M10 X 25-8.8 HEX HEAD ZINC | F81003-11 | 12 | |
| 8 | NUT, M10-8-B HEX NYLON ZINC LOCK | F81033-1 | 12 | |
| 9 | LEG, OUTRIGGER STATIONARY FRONT | 501641 | 1 | |
| 10 | BOLT, M16 X 140 - 8.8 HEX HEAD | F81006-4 | 2 | |
| 11 | NUT, 5/8-11 HEX ZINC | F05010-4 | 2 | |
| 12 | LEG, OUTRIGGER STATIONARY MIDDLE | 501637 | 2 | |
| 13 | BOLT, M16 X 50-8.8 HEX HEAD FULL THREAD ZINC | F81006-7 | 4 | |
| 14 | WASHER, 17 ZINC FLAT | F81058-1 | 4 | |
| 15 | NUT, M16-8 HEX NYLON ZINC LOCK | F81036-2 | 4 | |
| 16 | CAP , DP 812 HEJMAN 12.7 DIA. HOLE | 086773 | 4 | |

8 Bed Frame Assembly

Angled Bed Rails for "M" Frame

8.9 Angled Bed Rails for "M" Frame

524332_001
524332_MANUAL



| REF. | DESCRIPTION (◆ Indicates Parts Available In Assemblies Only) | PART # | QTY |
|------|--|----------|-----|
| - | RAIL SET, M FRAME BED | 524332 | 1 |
| 1 | RAIL, BED ADJUSTABLE (1 & 4) | 520978-1 | 2 |
| 2 | WASHER, 13 FLAT ZINC | F81056-1 | 4 |
| 3 | BOLT, M12X90 8.8 HEX HEAD ZINC | F81004-2 | 2 |
| 4 | NUT, M12 8 HEX NYLON ZINC LOCK | F81034-2 | 2 |
| - | BOLT, M16 W/NUT | 516629 | 3 |
| 5 | NUT, M16 5.8 HEX | F81036-5 | 1 |
| 6 | BOLT, M16 BED RAIL ADJUSTMENT | 505006 | 1 |
| 7 | RAIL, BED ADJUSTABLE L=849 | 520970-1 | 1 |
| 8 | WASHER, 13 FLAT ZINC | F81056-1 | 4 |
| 9 | BOLT, M12X90 8.8 HEX HEAD ZINC | F81004-2 | 2 |
| 10 | NUT, M12 8 HEX NYLON ZINC LOCK | F81034-2 | 2 |
| - | BOLT, M16 W/NUT | 516629 | 3 |
| 11 | NUT, M16 5.8 HEX | F81036-5 | 1 |
| 12 | BOLT, M16 BED RAIL ADJUSTMENT | 505006 | 1 |
| 13 | RAIL, BED ADJUSTABLE (3) | 520974-1 | 1 |
| 14 | WASHER, 13 FLAT ZINC | F81056-1 | 4 |
| 15 | BOLT, M12X90 8.8 HEX HEAD ZINC | F81004-2 | 2 |
| 16 | NUT, M12 8 HEX NYLON ZINC LOCK | F81034-2 | 2 |
| - | BOLT, M16 W/NUT | 516629 | 3 |
| 17 | NUT, M16 5.8 HEX | F81036-5 | 1 |
| 18 | BOLT, M16 BED RAIL ADJUSTMENT | 505006 | 1 |
| 19 | COVER, BED RAIL | 520903 | 2 |
| 20 | COVER, MIDDLE BED RAIL - LEFT | 521598 | 1 |
| 21 | COVER, MIDDLE BED RAIL - RIGHT | 521597 | 1 |
| 22 | RAIL, BED PIVOT | 521595-1 | 2 |
| - | BOLT, M16 W/2 NUTS | 093710 | 1 |
| 23 | NUT, M16 5.8 HEX | F81036-5 | 2 |
| 24 | BOLT, M16 BED RAIL ADJUSTMENT | 505006 | 1 |
| 25 | COVER, M & S FRAME BED RAIL | 520355 | 2 |

Bed Frame Assembly

Angled Bed Rails for "M" Frame

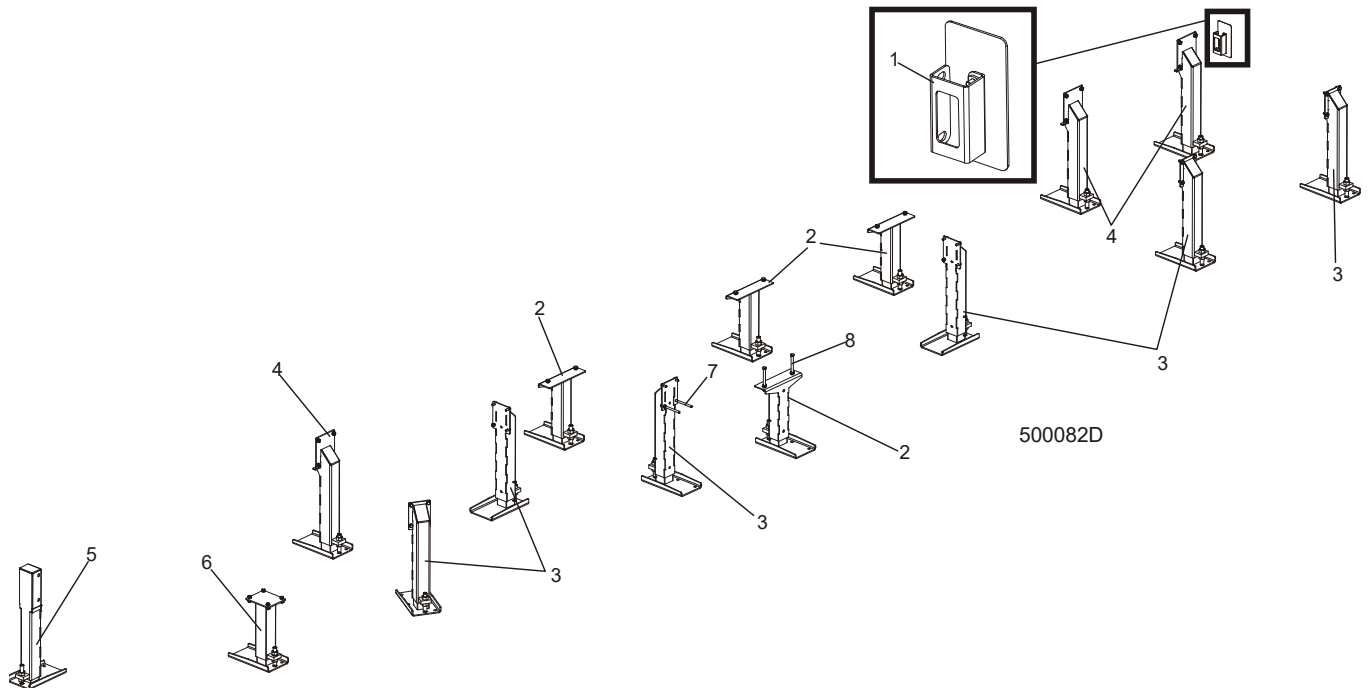


| REF. | DESCRIPTION (◆ Indicates Parts Available In Assemblies Only) | PART # | QTY | |
|------|--|----------|-----|--|
| 26 | BRACKET, ROLLER MOUNT - LEFT | 524350-1 | 1 | |
| 27 | BRACKET, ROLLER MOUNT - RIGHT | 524348-1 | 1 | |
| 28 | WASHER, 8.4 FLAT ZINC | F81054-1 | 16 | |
| 29 | BOLT, M8X65 5.8 HEX HEAD ZINC | F81002-3 | 16 | |
| 30 | NUT, M8-8-B HEX NYLON ZINC LOCK | F81032-2 | 16 | |

8 Bed Frame Assembly

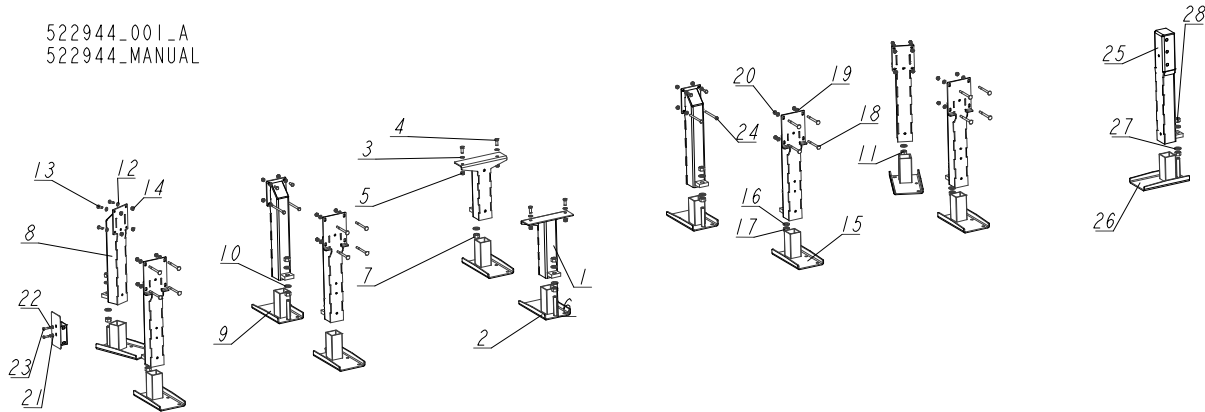
Leg, Stationary (L Type Frame)

8.10 Leg, Stationary (L Type Frame)



| REF. | DESCRIPTION (◆ Indicates Parts Available In Assemblies Only) | PART # | QTY |
|------|--|---------------|----------|
| | LEG KIT, "L" FRAME OUTRIGGER STATIONARY | 500531 | 1 |
| 1 | COVER ASSEMBLY, MAIN TUBE | 093052 | 1 |
| 2 | LEG, OUTRIGGER STATIONARY MIDDLE | 501637 | 4 |
| 3 | LEG, OUTRIGGER STATIONARY LEFT | 501639 | 6 |
| 4 | LEG, OUTRIGGER STATIONARY RIGHT | 501640 | 3 |
| 5 | LEG, OUTRIGGER STATIONARY FRONT | 501641 | 1 |
| 6 | LEG, STATIONARY | 505766 | 1 |
| 7 | BOLT, M10x125-8.8 HEX HEAD ZINC | F81003-18 | 2 |
| 8 | BOLT, M12x130-8.8 HEX HEAD ZINC | F81004-36 | 2 |

8.11 Stationary Legs for "M" Frame



| REF. | DESCRIPTION (◆ Indicates Parts Available In Assemblies Only) | PART # | QTY |
|------|--|-----------|-----|
| - | LEG, M SUPER FRAME STATIONARY | 522944 | 1 |
| - | LEG, MIDDLE ADJUSTABLE STATIONARY | 501637 | 3 |
| 1 | LEG, MIDDLE | 507720-1 | 1 |
| 2 | FOOT, WIDE | 501084-1 | 1 |
| 3 | WASHER, 13 FLAT ZINC | F81056-1 | 2 |
| 4 | BOLT, M12X30 8.8 HEX HEAD FULL THREAD ZINC | F81004-22 | 2 |
| 5 | NUT, M12 8 HEX NYLON ZINC LOCK | F81034-2 | 2 |
| 6 | WASHER, 21 FLAT ZINC | F81059-2 | 2 |
| 7 | NUT, M20-8 HEX ZINC | F81037-1 | 2 |
| - | LEG, LEFT ADJUSTABLE STATIONARY | 501639 | 4 |
| 8 | LEG, ADJUSTABLE | 507715-1 | 1 |
| 9 | FOOT, WIDE | 501084-1 | 1 |
| 10 | WASHER, 21 FLAT ZINC | F81059-2 | 2 |
| 11 | NUT, M20-8 HEX ZINC | F81037-1 | 2 |
| 12 | WASHER, 10.5 FLAT ZINC | F81055-1 | 4 |
| 13 | BOLT, M10X25 8.8 HEX HEAD FULL THREAD ZINC | F81003-11 | 4 |
| 14 | NUT, M10-8-B HEX NYLON ZINC LOCK | F81033-1 | 4 |
| - | LEG, RIGHT ADJUSTABLE STATIONARY | 501640 | 5 |
| 15 | FOOT, WIDE | 501084-1 | 1 |
| 16 | WASHER, 21 FLAT ZINC | F81059-2 | 2 |
| 17 | NUT, M20-8 HEX ZINC | F81037-1 | 2 |
| 18 | BOLT, M10X120 8.8 CARRIAGE ZINC | F81003-33 | 4 |
| 19 | WASHER, 10.5 FLAT ZINC | F81055-1 | 4 |
| 20 | NUT, M10-8-B HEX NYLON ZINC LOCK | F81033-1 | 4 |
| - | COVER ASSEMBLY, MAIN TUBE | 093052 | 1 |
| 21 | WASHER, 8.4 FLAT ZINC | F81054-1 | 2 |
| 22 | WASHER, 8.2 SPLIT LOCK ZINC | F81054-4 | 2 |
| 23 | BOLT, M8X25-8.8-B HEX HEAD FULL THREAD ZINC | F81002-5 | 2 |
| 24 | BOLT, M10X125 8.8 HEX HEAD ZINC | F81003-18 | 4 |
| - | LEG, FRONT ADJUSTABLE STATIONARY | 501641 | 1 |
| 25 | LEG WELDMENT, FRONT ADJUSTABLE | 508570-1 | 1 |
| 26 | FOOT, WIDE | 501084-1 | 1 |



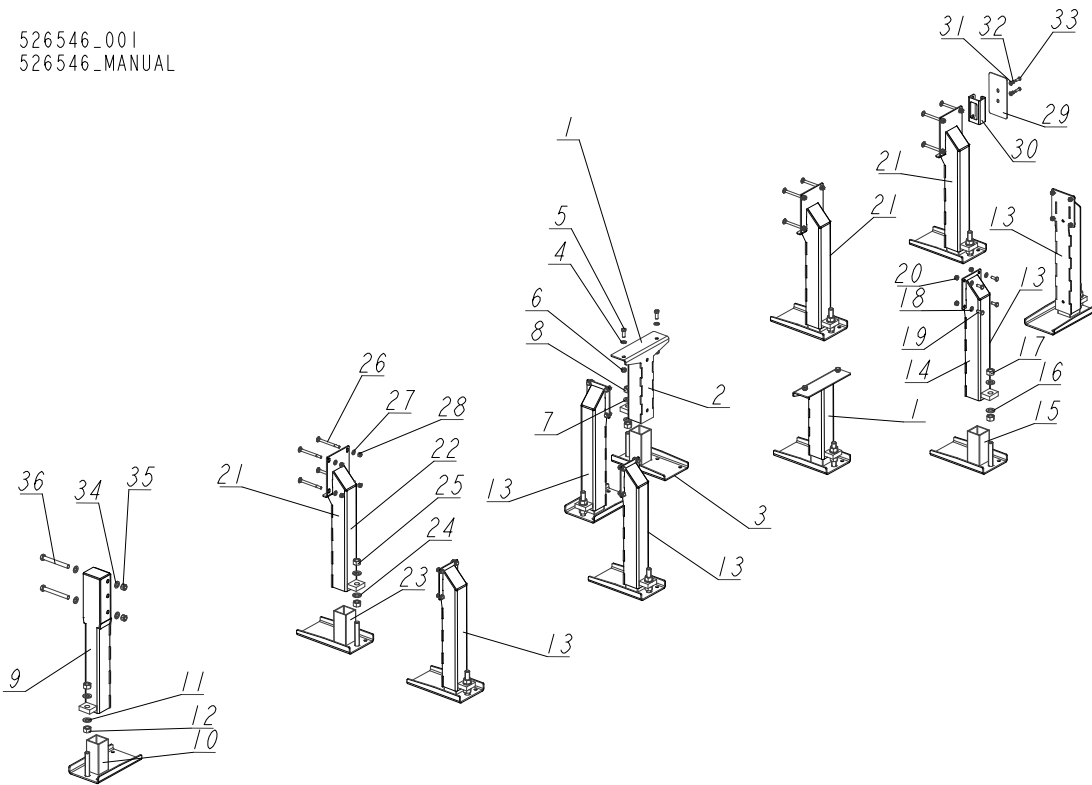
Bed Frame Assembly

Stationary Legs for "M" Frame

| REF. | DESCRIPTION (◆ Indicates Parts Available In Assemblies Only) | PART # | QTY | |
|------|--|-----------|-----|--|
| 27 | WASHER, 21 FLAT ZINC | F81059-2 | 2 | |
| 28 | NUT, M20-8 HEX ZINC | F81037-1 | 2 | |
| 29 | FOOT, WIDE | 501084-1 | 1 | |
| 30 | SUPPORT, CHAIN TURNER - LOWER PART | 523003-1 | 1 | |
| 31 | WASHER, 10.5 FLAT ZINC | F81055-1 | 8 | |
| 32 | NUT, M10-8-B HEX NYLON ZINC LOCK | F81033-1 | 4 | |
| 33 | BOLT, M10X40-8.8 HEX HEAD FULL THREAD ZINC | F81003-16 | 4 | |

8.12 Stationary Legs for "S" Frame

526546_001
526546_MANUAL



| REF. | DESCRIPTION (◆ Indicates Parts Available In Assemblies Only) | PART # | QTY |
|------|--|-----------|-----|
| - | LEG, S FRAME STATIONARY | 526546 | 1 |
| 1 | LEG, MIDDLE ADJUSTABLE STATIONARY | 501637 | 2 |
| 2 | LEG, MIDDLE | 507720-1 | 1 |
| 3 | FOOT, WIDE | 501084-1 | 1 |
| 4 | WASHER, 13 FLAT ZINC | F81056-1 | 2 |
| 5 | BOLT, M12X30 8.8 HEX HEAD FULL THREAD ZINC | F81004-22 | 2 |
| 6 | NUT, M12 8 HEX NYLON ZINC LOCK | F81034-2 | 2 |
| 7 | WASHER, 21 FLAT ZINC | F81059-2 | 2 |
| 8 | NUT, M20-8 HEX ZINC | F81037-1 | 2 |
| - | LEG, FRONT ADJUSTABLE STATIONARY | 501641 | 1 |
| 9 | LEG WELDMENT, FRONT ADJUSTABLE | 508570-1 | 1 |
| 10 | FOOT, WIDE | 501084-1 | 1 |
| 11 | WASHER, 21 FLAT ZINC | F81059-2 | 2 |
| 12 | NUT, M20-8 HEX ZINC | F81037-1 | 2 |
| 13 | LEG, LEFT ADJUSTABLE STATIONARY | 501639 | 5 |
| 14 | LEG, ADJUSTABLE | 507715-1 | 1 |
| 15 | FOOT, WIDE | 501084-1 | 1 |
| 16 | WASHER, 21 FLAT ZINC | F81059-2 | 2 |
| 17 | NUT, M20-8 HEX ZINC | F81037-1 | 2 |
| 18 | WASHER, 10.5 FLAT ZINC | F81055-1 | 4 |
| 19 | BOLT, M10X25 8.8 HEX HEAD FULL THREAD ZINC | F81003-11 | 4 |
| 20 | NUT, M10-8-B HEX NYLON ZINC LOCK | F81033-1 | 4 |
| 21 | LEG, RIGHT ADJUSTABLE STATIONARY | 501640 | 3 |

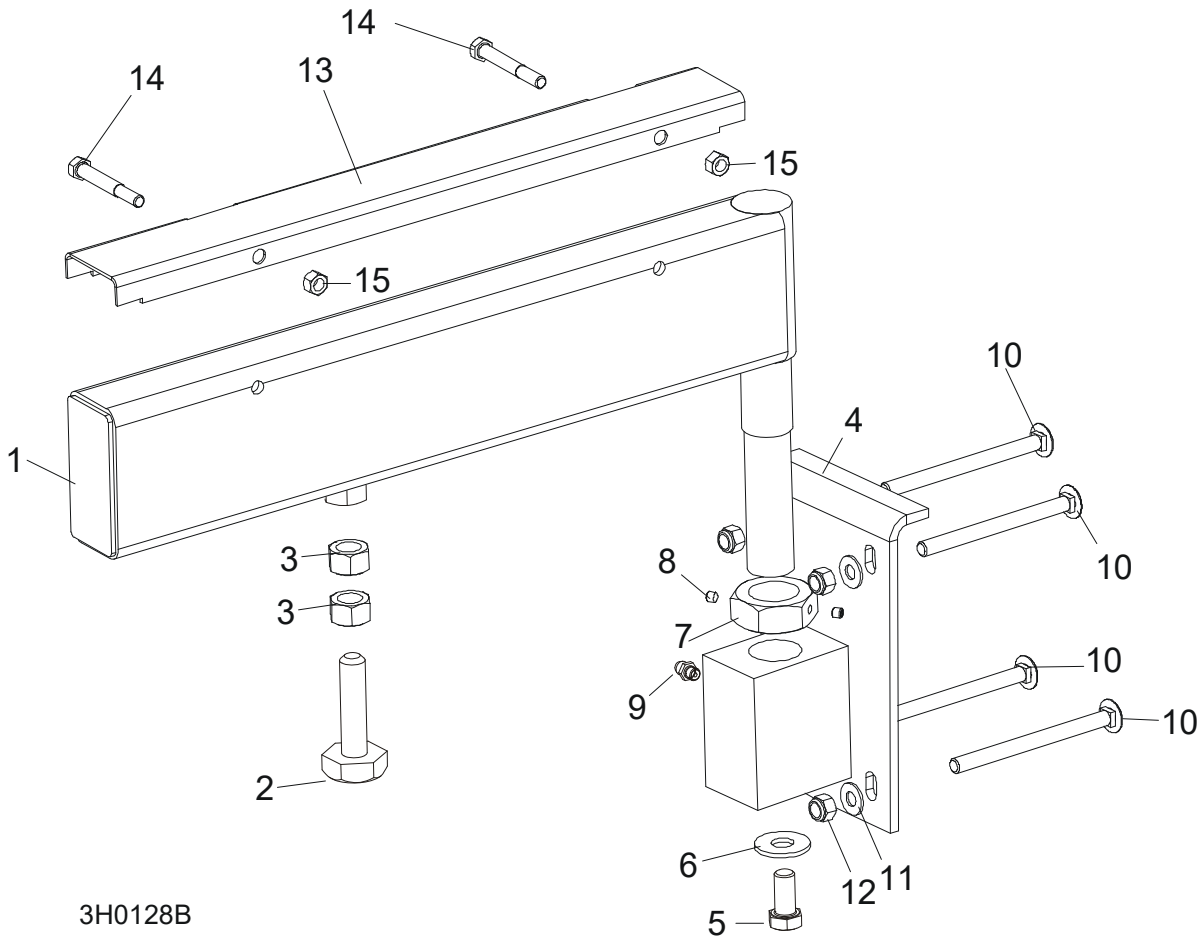


Bed Frame Assembly

Stationary Legs for "S" Frame

| REF. | DESCRIPTION (◆ Indicates Parts Available In Assemblies Only) | PART # | QTY | |
|------|--|-----------|-----|--|
| 22 | LEG, MAIN TUBE (HIGH) | 507620-1 | 1 | |
| 23 | FOOT, WIDE | 501084-1 | 1 | |
| 24 | WASHER, 21 FLAT ZINC | F81059-2 | 2 | |
| 25 | NUT, M20-8 HEX ZINC | F81037-1 | 2 | |
| 26 | BOLT, M10X120 8.8 CARRIAGE ZINC | F81003-33 | 4 | |
| 27 | WASHER, 10.5 FLAT ZINC | F81055-1 | 4 | |
| 28 | NUT, M10-8-B HEX NYLON ZINC LOCK | F81033-1 | 4 | |
| - | COVER ASSEMBLY, MAIN TUBE | 093052 | 1 | |
| 29 | COVER, 201X101.6X3 TUBE | 015023-1 | 1 | |
| 30 | BRACKET WELDMENT, REAR MAIN TUBE COVER | 087105-1 | 1 | |
| 31 | WASHER, 8.4 FLAT ZINC | F81054-1 | 2 | |
| 32 | WASHER, 8.2 SPLIT LOCK ZINC | F81054-4 | 2 | |
| 33 | BOLT, M8X25-8.8-B HEX HEAD FULL THREAD ZINC | F81002-5 | 2 | |
| 34 | WASHER, 17 SPLIT LOCK ZINC | F81058-1 | 4 | |
| 35 | NUT, M16-8 HEX NYLON ZINC LOCK | F81036-2 | 2 | |
| 36 | BOLT, M16X140 HEX HEAD ZINC | F81006-4 | 2 | |

8.13 Pivot Bed Rail Assembly



3H0128B

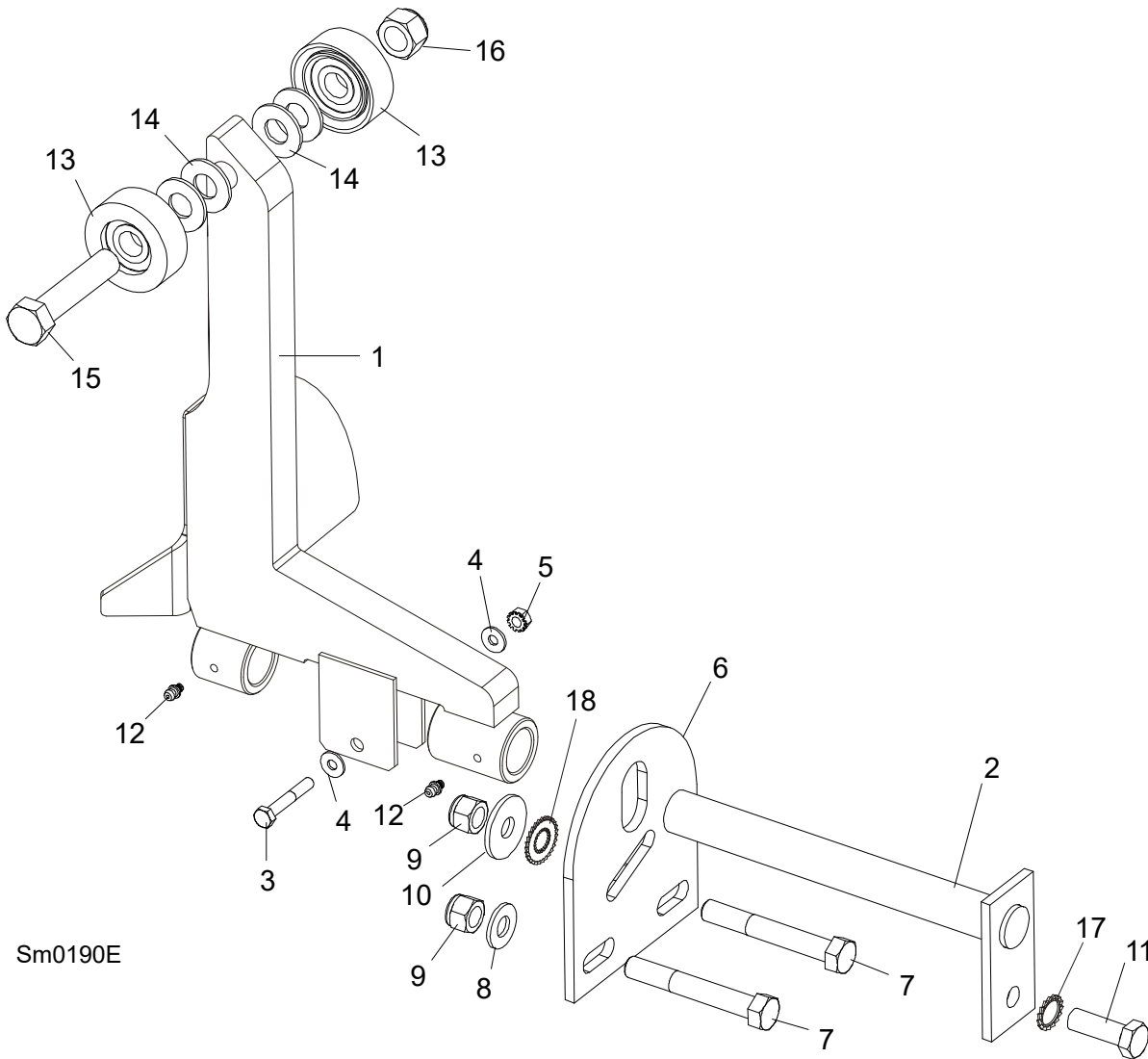
| REF. | DESCRIPTION (◆ Indicates Parts Available In Assemblies Only) | PART # | QTY |
|------|--|-----------|-----|
| | PIVOT BED RAIL, COMPLETE | 087829 | 2 |
| | PIVOT BED RAIL, COMPLETE | 087855 | 2 |
| 1 | Rail Weldment, Pivot Bed | 087852-1 | 1 |
| | Rail, Pivot Bed | 087848-1 | 1 |
| | Bolt Assembly, Bed Rail Adjustment | | |
| 2 | Bolt, Pivot Bed Rail Adjustment | 086809 | 1 |
| 3 | Nut, M16-5.8 Zinc Hex | F81036-1 | 2 |
| 4 | Bracket, Pivot Bed Rail Mounting | 087841-1 | 1 |
| 5 | Bolt, M12x25-8.8 Hex Head Full Thread Zinc | F81004-31 | 1 |
| 6 | Washer, 9/16" Zinc Flat | F05011-52 | 1 |
| 7 | NUT, M32x2-04-B ZINC | 087975 | 1 |
| 8 | Screw, 1/4-28 x 1/4 Socket Head Brass Tip Set | F05005-42 | 2 |
| 9 | Fitting, M6 Grease | 086280 | 1 |
| 10 | BOLT, M10 X 120 8.8 CARRIAGE HEAD ZINC | F81003-33 | 2 |
| 11 | BOLT, M10 X 120 8.8 CARRIAGE HEAD ZINC | F81003-33 | 6 |
| 12 | WASHER, 10.5 ZINC FLAT | F81055-1 | 8 |
| 13 | NUT, M16-8 HEX NYLON ZINC LOCK | F81036-2 | 8 |
| | COVER KIT, PIVOT BED RAIL | 015926 | 2 |
| | COVER KIT, PIVOT BED RAIL | N/A | 2 |

8 Bed Frame Assembly

Pivot Bed Rail Assembly

| | | | | |
|----|--|----------|---|--|
| 14 | Cover, Pivot Bed Rail Stainless Steel | 012994 | 1 | |
| | Cover, Pivot Bed Rail | 099123 | 1 | |
| 15 | Bolt, M8x65-5.8 Hex Head Zinc | F81002-3 | 2 | |
| 16 | Nut, M8-8-B Hex Nylon Zinc Lock | F81032-2 | 2 | |
| | WRENCH, BED RAIL ADJUSTMENT (See Section 8.4) | 015970 | 1 | |

8.14 Log Side Support Assembly



Sm0190E

| REF. | DESCRIPTION (◆ Indicates Parts Available In Assemblies Only) | PART # | QTY |
|------|--|-----------|-----|
| 1 | SUPPORT, LOG SIDE W/GUARD | 099785-1 | 1 |
| 2 | PIN, LOG SIDE SUPPORT PIVOT | 091549-1 | 1 |
| 3 | BOLT, M8X45-8.8 HEX HEAD FULL THREAD ZINC | F81002-14 | 1 |
| 4 | WASHER, 8.4 FLAT | F81054-1 | 2 |
| 5 | NUT, M8-8-B SELF LOCKING | F81032-2 | 1 |
| 6 | PLATE, LOG SIDE SUPPORT END | 091591-1 | 1 |
| 7 | BOLT, M12 X 75-8.8 HEX HEAD | F81004-21 | 2 |
| 8 | WASHER, 13 FLAT | F81056-1 | 2 |
| 9 | NUT, M12-8 HEX NYLON LOCK | F81034-2 | 3 |
| 10 | WASHER, 15 FLAT SPECIAL ZINC-PLATED | F81057-3 | 1 |
| 11 | BOLT, M12 X 35-8.8 HEX HEAD | F81004-24 | 1 |
| 12 | FITTING, 3/16" GREASE | P04107 | 2 |
| 13 | ROLLER ASSEMBLY, SIDE SUPPORT | 015014-1 | 2 |
| 14 | WASHER, 17 FLAT | F81058-1 | 2 |



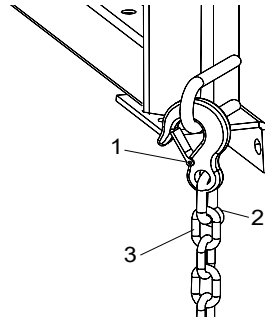
Bed Frame Assembly

Log Side Support Assembly

| | | | | |
|----|--|------------|---|--|
| 15 | BOLT, M16X65-8.8-B HEX HEAD FULL THREAD ZINC | F81006-1 | 1 | |
| 16 | NUT, M16-8 NYLON LOCK | F81036-2 | 1 | |
| 17 | WASHER, SPECIAL BOSART/2S, BN781 M12/13 | F81056-16 | 1 | |
| 18 | WASHER, SPECIAL BOSART/2S M12/12,3/30,3 | F81056-17 | 1 | |
| | INSTRUCTION SHEET, SIDE SUPPORT ROLLER | 015109-526 | 1 | |

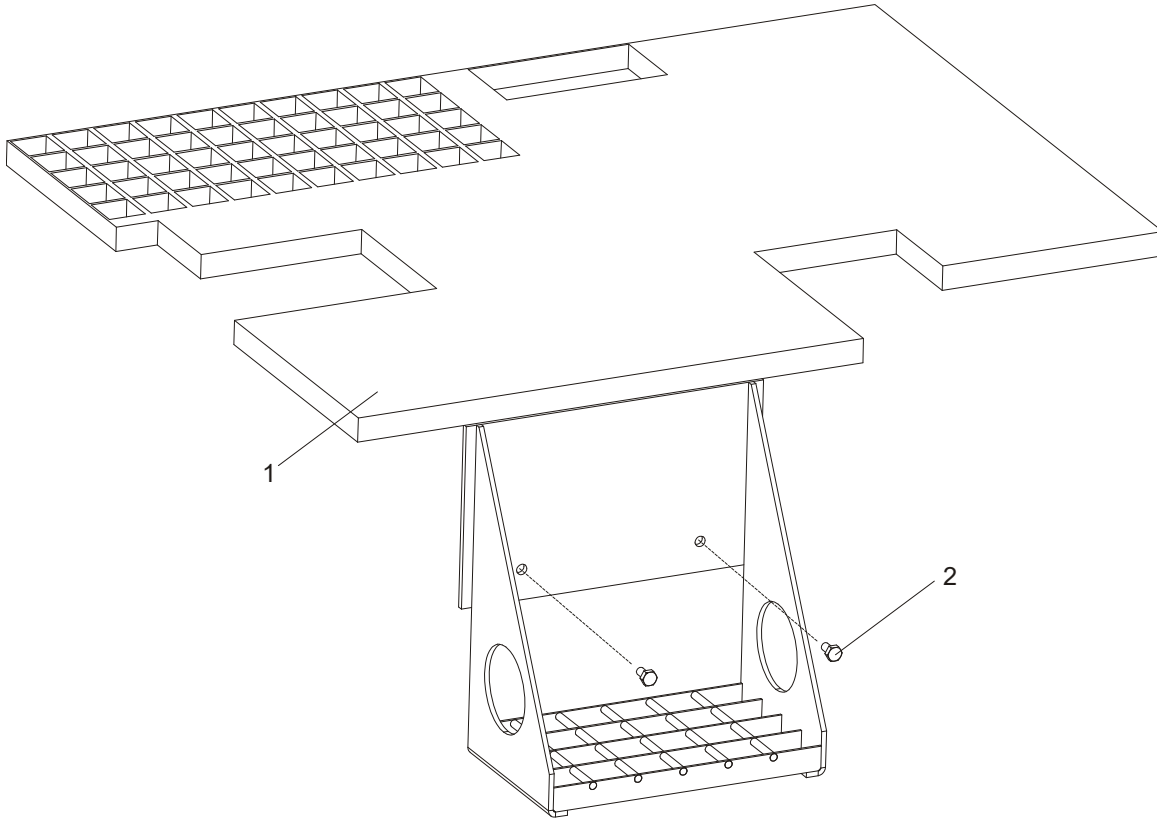
8.15 Tie Down Chain Assembly

SM0129



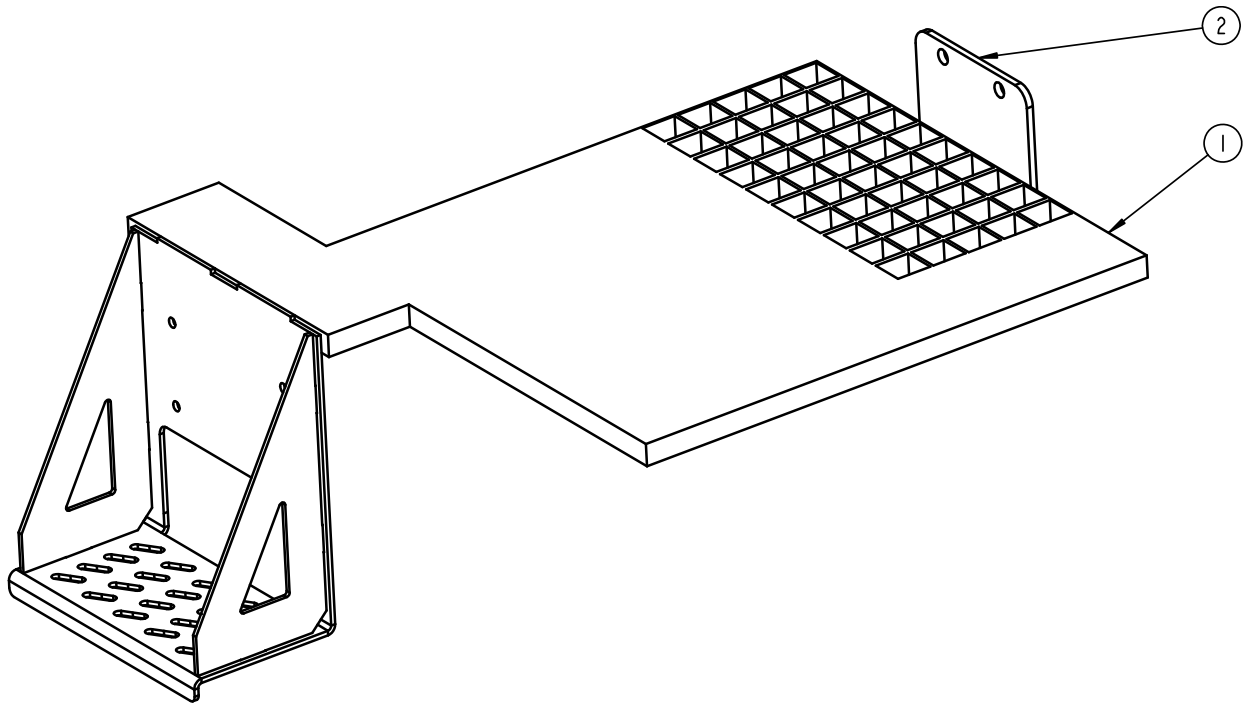
| REF. | DESCRIPTION (◆ Indicates Parts Available In Assemblies Only) | PART # | QTY | |
|------|--|----------|-----|---|
| | TIE DOWN CHAIN ASSEMBLY | A04376-1 | 1 | |
| 1 | Hook, 5/8" Safety Chain | P12075 | 1 | ◆ |
| 2 | Screw Closed Chain Link, 10 | 100767 | 1 | ◆ |
| 3 | Chain, N-10 x 35, 6 Links | 100951 | 1 | ◆ |

8.16 Inspection Platform (DC Mills Only)



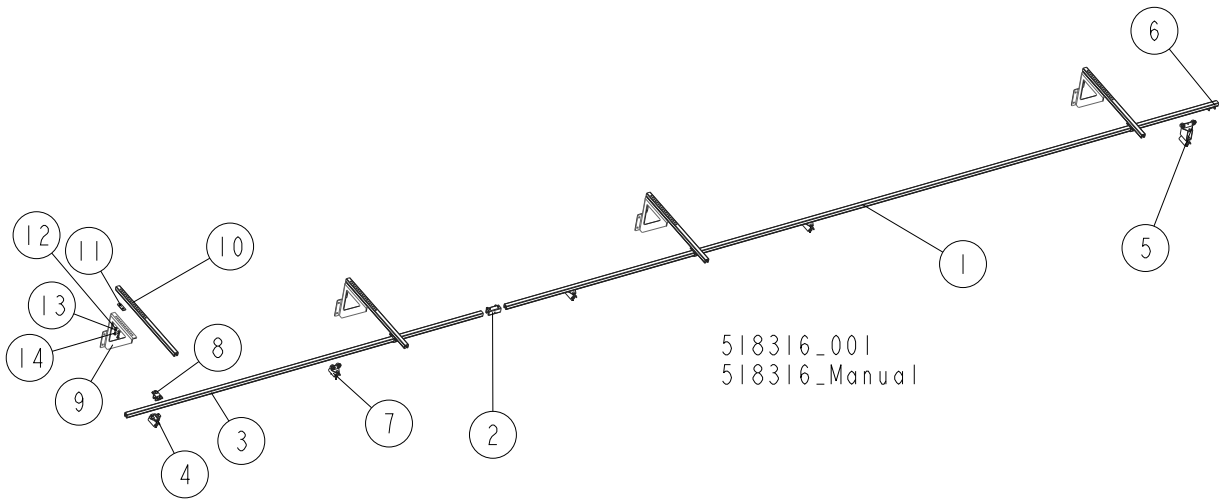
| REF. | DESCRIPTION (◆ Indicates Parts Available In Assemblies Only) | PART # | QTY |
|----------|--|-----------|-----|
| | PLATFORM, INSPECTION COMPLETE | 093062 | 1 |
| 1 | PLATFORM, INSPECTION PTD | 093061-1 | 1 |
| 2 | BOLT, 1/4-20 X 1/2 HEX HEAD | F05005-15 | 2 |

8.17 Inspection Platform for M Frame with Power Roller



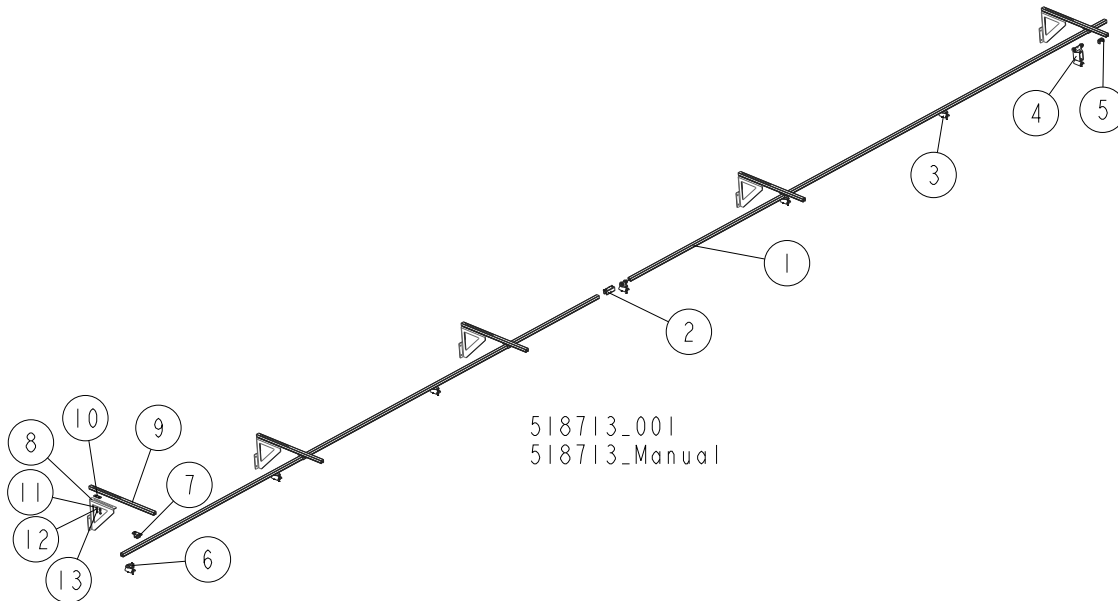
| REF. | DESCRIPTION (◆ Indicates Parts Available In Assemblies Only) | PART # | QTY |
|------|---|----------|-----|
| | PLATFORM ASSEMBLY, INSPECTION ("M" FRAME W/POWER ROLLER) | 506379 | 1 |
| 1 | PLATFORM, INSPECTION ("M" FRAME) | 506046-1 | 1 |
| 2 | ANGLE, INSPECTION PLATFORM MOUNTING | 506332-1 | 1 |

8.18 Remote Equipment for Installation on a Wall (Cutting Length of 6.5 m)



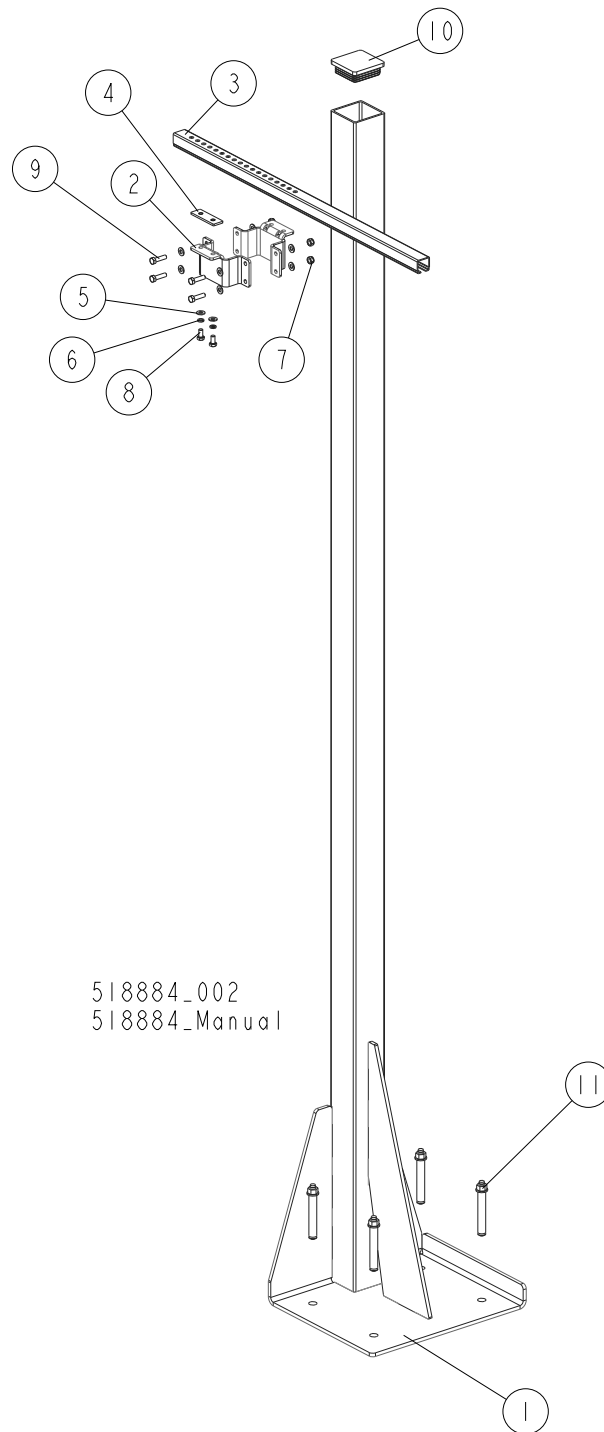
| REF. | DESCRIPTION (◆ Indicates Parts Available In Assemblies Only) | PART # | QTY |
|------|--|---------------|----------|
| | REMOTE EQUIPMENT (CUTTING LENGTH OF 6.5 M) | 518316 | 1 |
| | RAIL, COMPLETE GUIDE (CUTTING LENGTH OF 6.5M) | 518315 | 1 |
| 1 | RAIL, 6 M C-PROFILE | 518332 | 1 |
| 2 | COUPLER, TRACK | 518705 | 1 |
| 3 | RAIL, 3 M C-PROFILE | 518313 | 1 |
| 4 | CLAMP, FLAT CABLE - END | 518701 | 1 |
| 5 | TROLLEY, TOWING | 518334 | 1 |
| 6 | STOP, END | 518700 | 1 |
| 7 | TROLLEY, CABLE MOVING | 518333 | 3 |
| 8 | BRACKET, BOLT-ON | 518702 | 4 |
| | RAIL BRACKET KIT FOR WALL MOUNTING | 518724 | 4 |
| 9 | BRACKET, GUIDE RAIL (FOR WALL MOUNTING) | 518728-1 | 1 |
| 10 | ARM, RAIL BRACKET | 518709 | 1 |
| 11 | PLATE, ARM CLAMPING | 518885-1 | 1 |
| 12 | WASHER, 8.4 FLAT ZINC | F81054-1 | 2 |
| 13 | WASHER, 8.2 SPLIT LOCK ZINC | F81054-4 | 2 |
| 14 | BOLT, M8x16-8.8-B HEX HEAD FULL THREAD ZINC | F81002-20 | 2 |

8.19 Remote Equipment for Installation on a Wall (Cutting Length of 6.5-10 m)



| REF. | DESCRIPTION (◆ Indicates Parts Available In Assemblies Only) | PART # | QTY |
|------|--|----------|-----|
| | REMOTE EQUIPMENT (CUTTING LENGTH OF 6.5-10 M) | 518713 | 1 |
| | RAIL, COMPLETE GUIDE (CUTTING LENGTH OF 6.5-10 M) | 518704 | 1 |
| 1 | RAIL, 6 M C-PROFILE | 518332 | 2 |
| 2 | COUPLER, TRACK | 518705 | 1 |
| 3 | TROLLEY, CABLE MOVING | 518333 | 5 |
| 4 | TROLLEY, TOWING | 518334 | 1 |
| 5 | STOP, END | 518700 | 1 |
| 6 | CLAMP, FLAT CABLE - END | 518701 | 1 |
| 7 | BRACKET, BOLT-ON | 518702 | 5 |
| 8 | RAIL BRACKET KIT FOR WALL MOUNTING | 518724 | 5 |
| 9 | BRACKET, GUIDE RAIL (FOR WALL MOUNTING) | 518728-1 | 1 |
| 10 | ARM, RAIL BRACKET | 518709 | 1 |
| 11 | PLATE, ARM CLAMPING | 518885-1 | 1 |
| 12 | WASHER, 8.4 FLAT ZINC | F81054-1 | 2 |
| 13 | WASHER, 8.2 SPLIT LOCK ZINC | F81054-4 | 2 |

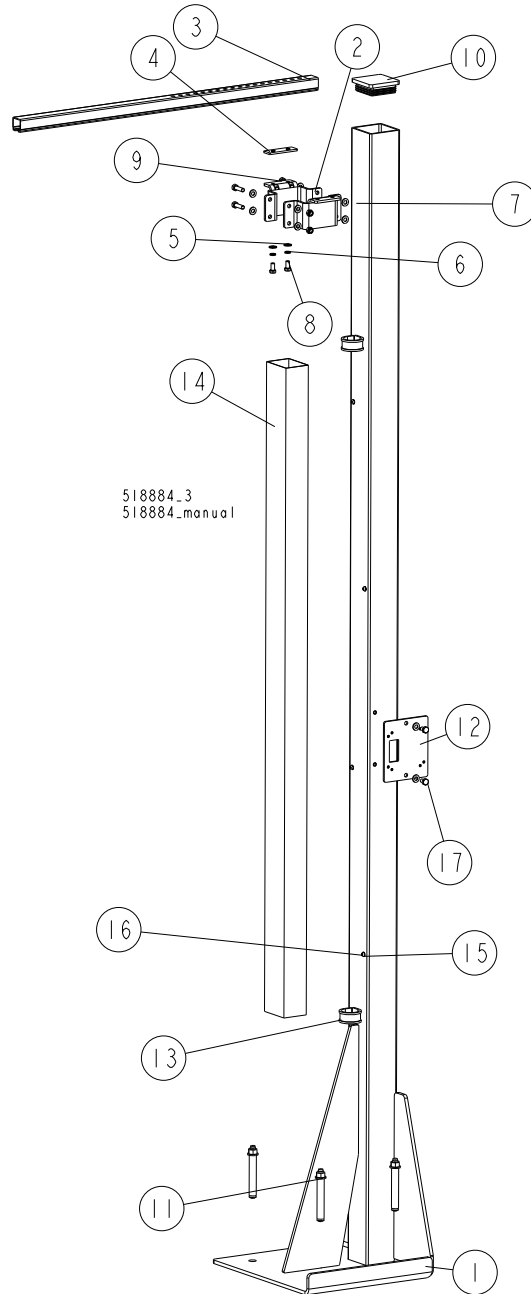
8.20 Guide Rail Support Post



| REF. | DESCRIPTION (◆ Indicates Parts Available In Assemblies Only) | PART # | QTY |
|------|--|---------------|----------|
| | POST, GUIDE RAIL SUPPORT - COMPLETE | 518736 | 1 |
| 1 | POST, GUIDE RAIL SUPPORT | 518707-1 | 1 |
| 2 | BRACKET, 80X80 TUBE WRAP | 518725-1 | 2 |
| 3 | ARM, RAIL BRACKET | 518709 | 1 |
| 4 | PLATE, ARM CLAMPING | 518885-1 | 1 |

| REF. | DESCRIPTION (◆ Indicates Parts Available In Assemblies Only) | PART # | QTY |
|------|--|-----------|-----|
| 5 | WASHER, 8.4 FLAT ZINC | F81054-1 | 10 |
| 6 | WASHER, 8.2 SPLIT LOCK ZINC | F81054-4 | 2 |
| 7 | NUT, M8 8 HEX NYLON ZINC LOCK | F81032-2 | 4 |
| 8 | BOLT, M8X16-8.8-B HEX HEAD FULL THREAD ZINC | F81002-20 | 2 |
| 9 | BOLT, M8X30-5.8-B HEX HEAD FULL THREAD ZINC | F81002-2 | 4 |
| 10 | CAP, 80X80 2-4 #111227 TUBE END | 089644 | 1 |
| 11 | PIN, LT 16X120 | 501877 | 4 |

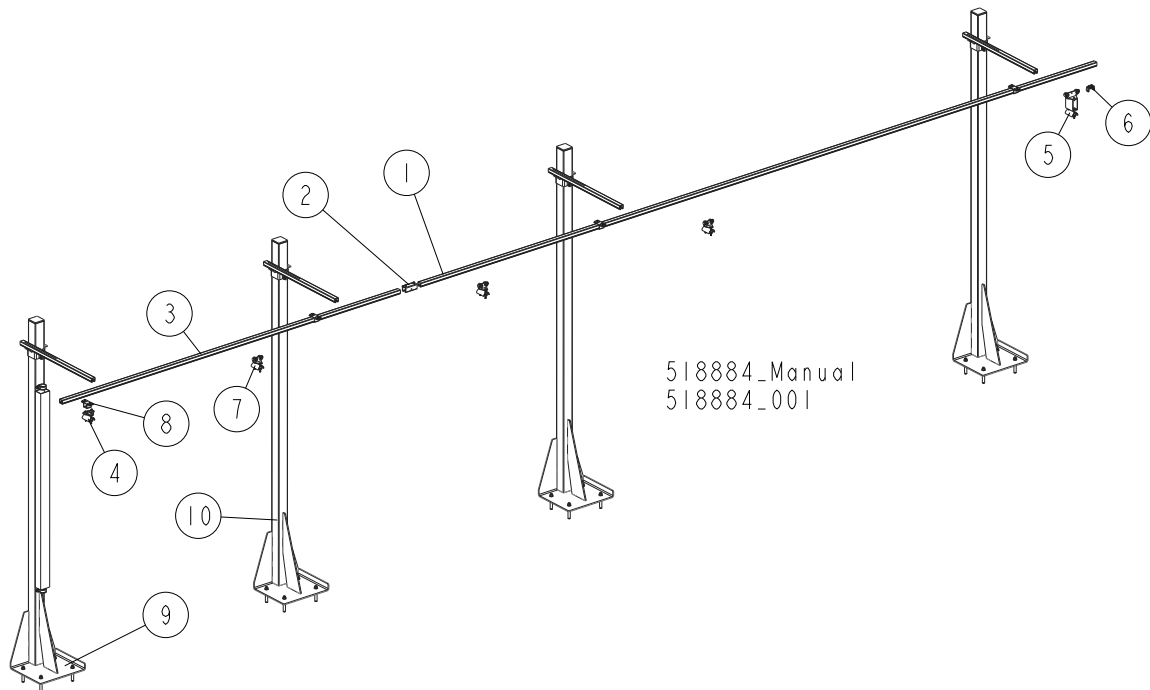
8.21 Guide Rail Support Post



| REF. | DESCRIPTION (◆ Indicates Parts Available In Assemblies Only) | PART # | QTY |
|------|--|---------------|----------|
| | POST, GUIDE RAIL SUPPORT - COMPLETE | 520669 | 1 |
| 1 | POST WELDMENT W/HOLES | 520667-1 | 1 |
| 2 | BRACKET, 80X80 TUBE WRAP | 518725-1 | 2 |
| 3 | ARM, RAIL BRACKET | 518709 | 1 |
| 4 | PLATE, ARM CLAMP | 518885-1 | 1 |

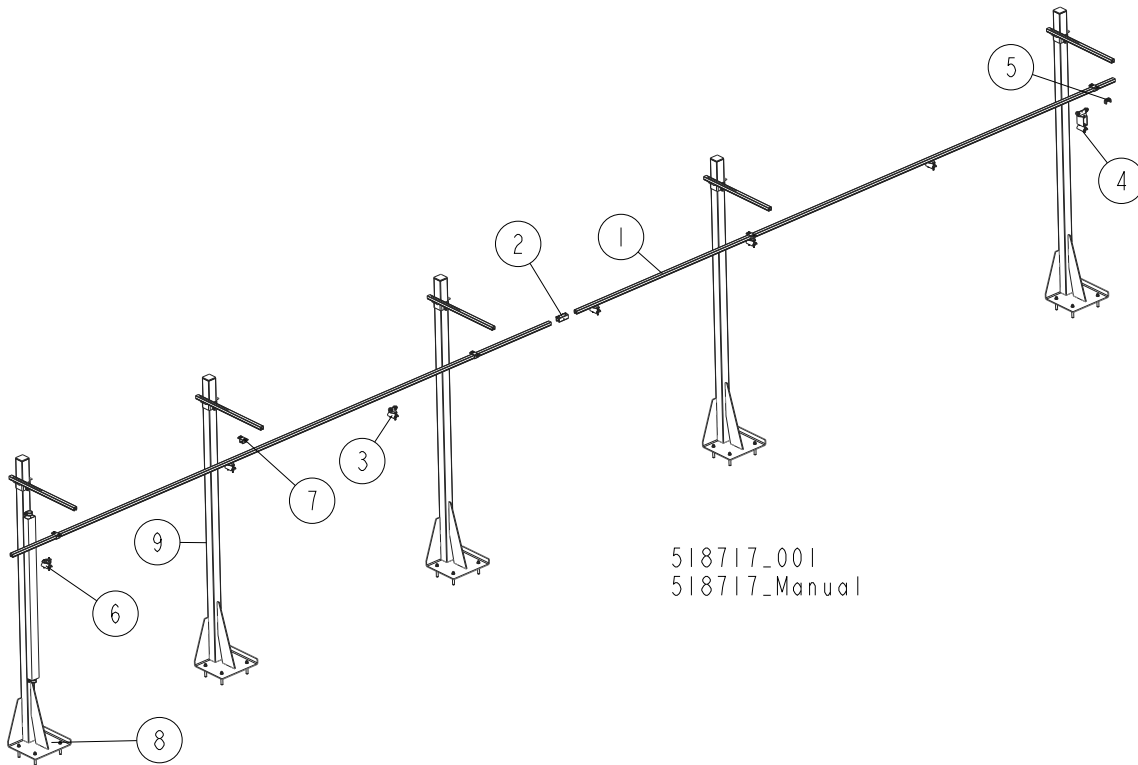
| REF. | DESCRIPTION (◆ Indicates Parts Available In Assemblies Only) | PART # | QTY |
|------|--|-----------|-----|
| 5 | WASHER, 8.4 FLAT ZINC | F81054-1 | 14 |
| 6 | WASHER, 8.2 SPLIT LOCK ZINC | F81054-4 | 2 |
| 7 | NUT, M8 8 HEX NYLON ZINC LOCK | F81032-2 | 4 |
| 8 | BOLT, M8X16-8.8-B HEX HEAD FULL THREAD ZINC | F81002-20 | 4 |
| 9 | BOLT, M8X30-5.8-B HEX HEAD FULL THREAD ZINC | F81002-2 | 4 |
| 10 | CAP, 80X80 GR 2-4 #111227 TUBE END | 089644 | 1 |
| 11 | PIN, LT 16X120 | 501877 | 4 |
| 12 | PLATE, SOCKET MOUNT | 517664-1 | 1 |
| 13 | CLAMP, RSGU 1.42/20 W1 METAL & RUBBER | F81087-3 | 2 |
| 14 | DUCT, CABLE | 520670 | 1 |
| 15 | WASHER, 5.3 FLAT ZINC | F81052-1 | 4 |
| 16 | SCREW, M5X10-8.8 CROSS RECESSED PAN HEAD ZINC | F81000-13 | 4 |
| 17 | BOLT, M8X12-8.8 HEX HEAD FULL THREAD ZINC | F81002-6 | 2 |

8.22 4-Post Remote Set



| REF. | DESCRIPTION (◆ Indicates Parts Available In Assemblies Only) | PART # | QTY |
|------|--|---------------|----------|
| | REMOTE SET, 4-POST | 518884 | 1 |
| | RAIL, COMPLETE GUIDE (CUTTING LENGTH OF 6.5M) | 518315 | 1 |
| 1 | RAIL, 6 M C-PROFILE | 518332 | 1 |
| 2 | COUPLER, TRACK | 518705 | 1 |
| 3 | RAIL, 3 M C-PROFILE | 518313 | 1 |
| 4 | CLAMP, FLAT CABLE - END | 518701 | 1 |
| 5 | TROLLEY, TOWING | 518334 | 1 |
| 6 | STOP, END | 518700 | 1 |
| 7 | TROLLEY, CABLE MOVING | 518333 | 3 |
| 8 | BRACKET, BOLT-ON | 518702 | 4 |
| 9 | POST, GUIDE RAIL SUPPORT - COMPLETE See Section 8.21 | 520669 | 1 |
| 10 | POST, GUIDE RAIL SUPPORT - COMPLETE See Section 8.20 | 518736 | 3 |

8.23 5-Post Remote Set



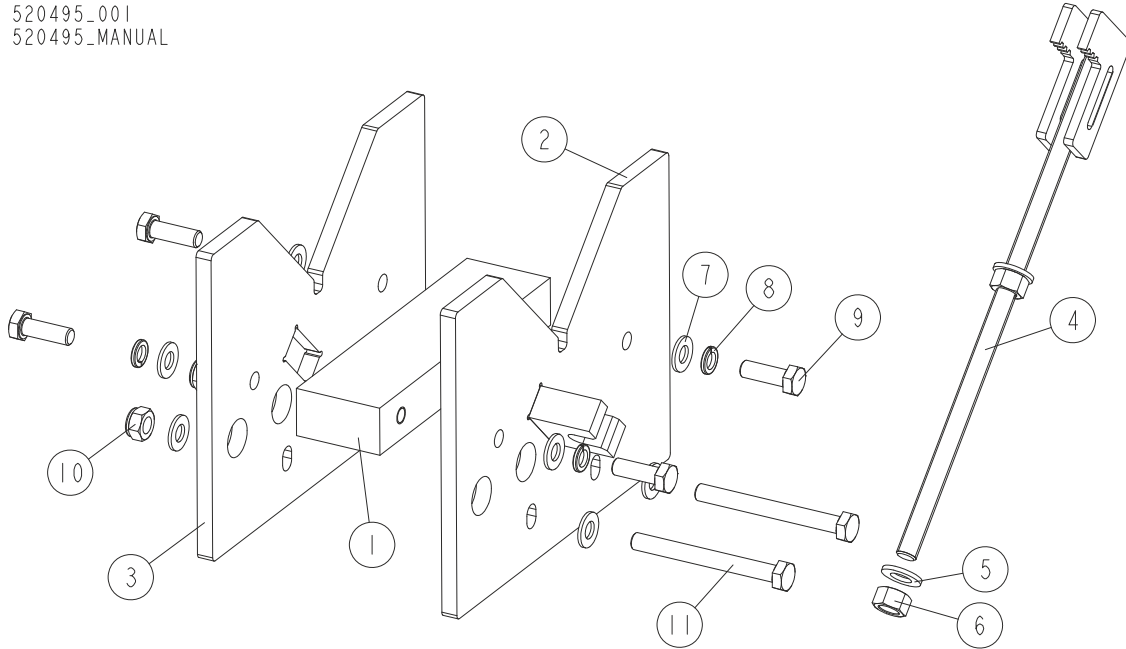
| REF. | DESCRIPTION (◆ Indicates Parts Available In Assemblies Only) | PART # | QTY |
|------|--|---------------|----------|
| | REMOTE SET, 5-POST | 518717 | 1 |
| | RAIL, COMPLETE GUIDE (CUTTING LENGTH OF 6.5-10 M) | 518704 | 1 |
| 1 | RAIL, 6 M C-PROFILE | 518332 | 2 |
| 2 | COUPLER, TRACK | 518705 | 1 |
| 3 | TROLLEY, CABLE MOVING | 518333 | 5 |
| 4 | TROLLEY, TOWING | 518334 | 1 |
| 5 | STOP, END | 518700 | 1 |
| 6 | CLAMP, FLAT CABLE - END | 518701 | 1 |
| 7 | BRACKET, BOLT-ON | 518702 | 5 |
| 8 | POST, GUIDE RAIL SUPPORT - COMPLETE See Section 8.21 | 520669 | 1 |
| 9 | POST, GUIDE RAIL SUPPORT - COMPLETE See Section 8.20 | 518736 | 4 |

8 Bed Frame Assembly

Octagonal Profile Sawing Tool (Option)

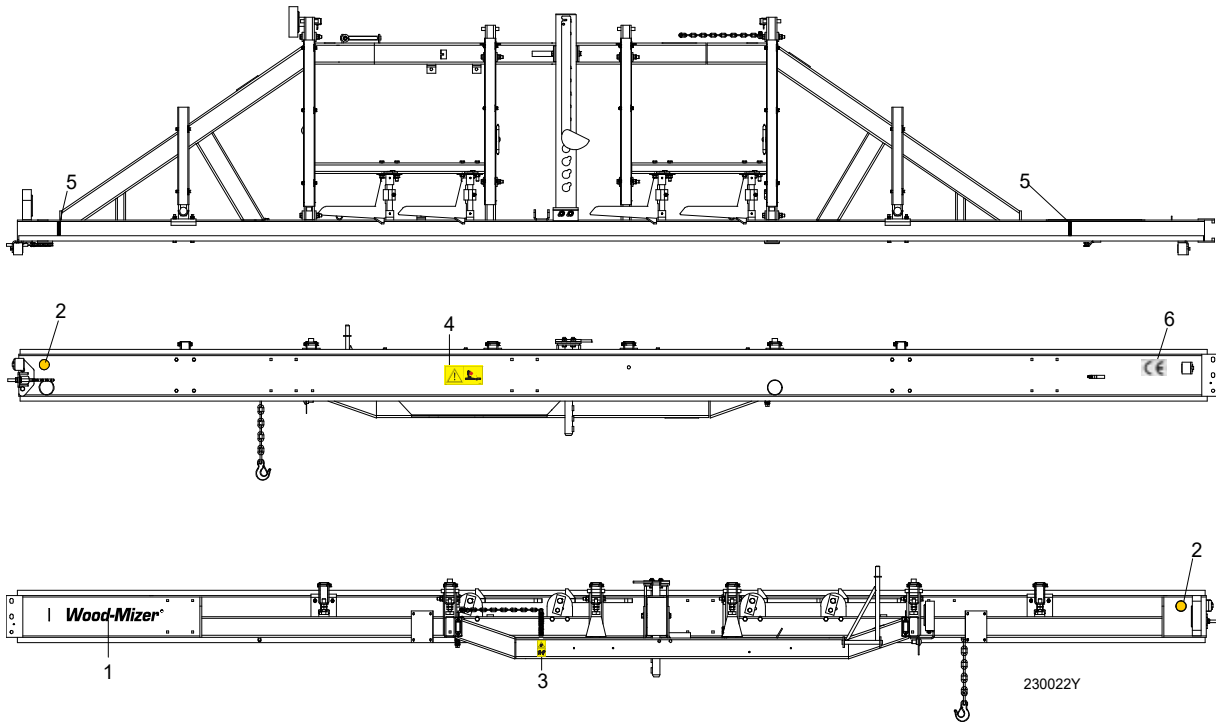
8.24 Octagonal Profile Sawing Tool (Option)

520495_001
520495_MANUAL



| REF. | DESCRIPTION (◆ Indicates Parts Available In Assemblies Only) | PART # | QTY |
|------|--|-----------|-----|
| - | TOOL, OCTAGONAL PROFILE SAWING | 520495 | 1 |
| 1 | BAR, INSIDE | 520490-1 | 1 |
| 2 | PLATE, FRONT | 520492-1 | 1 |
| 3 | PLATE, MAIN | 520489-1 | 1 |
| 4 | ARM, CLAMP | 520496-1 | 1 |
| 5 | WASHER, 13 FLAT ZINC | F81056-1 | 2 |
| 6 | NUT, M12-8-B HEX ZINC | F81034-1 | 2 |
| 7 | WASHER, 10.5 FLAT ZINC | F81055-1 | 8 |
| 8 | WASHER, Z 10.2 SPLIT LOCK ZINC | F81055-2 | 4 |
| 9 | BOLT, M10X30 5.8 HEX HEAD FULL THREAD ZINC | F81003-2 | 4 |
| 10 | NUT, M10-8-B HEX NYLON ZINC LOCK | F81033-1 | 2 |
| 11 | BOLT, M10X95-8.8-B HEX HEAD ZINC | F81003-71 | 2 |

8.25 Bed Frame Decals



| REF. | DESCRIPTION (◆ Indicates Parts Available In Assemblies Only) | PART # | QTY |
|------|--|--------|-----|
| 1 | DECAL, WOOD-MIZER LOGO | 014751 | 1 |
| 2 | DECAL, AMBER REFLECTIVE 2" ROUND | P07453 | 2 |
| 3 | DECAL, KEEP AWAY DANGER, PICTOGRAM | 099221 | 1 |
| 4 | DECAL, SAWMILL TRAILER CAUTION, PICTOGRAM | 099542 | 1 |
| 5 | DECAL, LOG LENGTH LIMIT | S12051 | 2 |
| 6 | DECAL, CE CERTIFIED SAWMILL (SMALL) | P85070 | 1 |

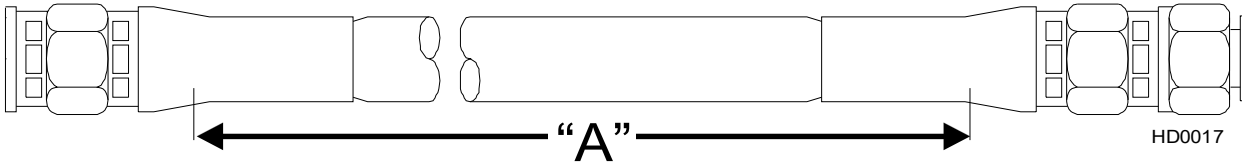


Bed Frame Assembly

Bed Frame Decals

SECTION 9 HYDRAULIC SYSTEM

9.1 Hydraulic System, LT20 Series A/DH



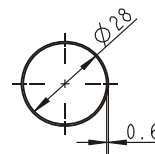
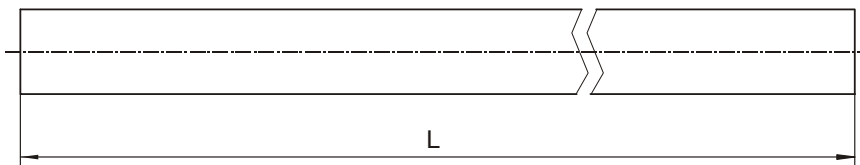
| COLOR | LENGTH (cm) | DESCRIPTION (◆ Indicates Parts Available In Assemblies Only) | PART # | QTY | SYMBOL |
|-------------|-------------|--|--------|-----|--------|
| NONE | 10" | 3/8" HYDRAULIC PUMP TO VALVE (A/DH3) | 087774 | 1 | H1 |
| NONE | 0.46 | 1/4" HYDRAULIC PUMP TO VALVE (DH5/7) | 015704 | 1 | |
| NONE | 27" | 3/8" LOG TURNER CYLINDER BASE | 014796 | 1 | H3 |
| ORANGE | 22" | 3/8" LOG TURNER CYLINDER TOP | 087775 | 1 | H4 |
| YELLOW | 129" | 1/4" FRONT TOE BOARD BASE (LT40S) | 087790 | 1 | H5 |
| | 151" | 1/4" FRONT TOE BOARD BASE (LT40M) | 087776 | 1 | H5 |
| GREY | 129" | 1/4" FRONT TOE BOARD TOP (LT40S) | 087790 | 1 | H6 |
| | 151" | 1/4" FRONT TOE BOARD TOP (LT40M) | 087776 | 1 | H6 |
| NONE | 166" | 3/8" SIDE SUPPORT TOP (LT40S) | 087791 | 1 | H7 |
| | 188" | 3/8" SIDE SUPPORT TOP (LT40M) | 087777 | 1 | H7 |
| PINK | 168" | 3/8" SIDE SUPPORT BASE (LT40S) | 087791 | 1 | H8 |
| | 188" | 3/8" SIDE SUPPORT BASE (LT40M) | 087777 | 1 | H8 |
| WHITE | 145" | 3/8" LOG CLAMP CYLINDER TOP (LT40S) | 087792 | 1 | H9 |
| | 157" | 3/8" LOG CLAMP CYLINDER TOP (LT40M) | 087778 | 1 | H9 |
| DARK ORANGE | 129" | 3/8" LOG CLAMP CYLINDER BASE (LT40S) | 087793 | 1 | H10 |
| | 151" | 3/8" LOG CLAMP CYLINDER BASE (LT40M) | 087779 | 1 | H10 |
| PURPLE | 204" | 1/4" REAR TOE BOARD TOP (LT40S) | 087794 | 1 | H11 |
| | 226" | 1/4" REAR TOE BOARD TOP (LT40M) | 087780 | 1 | H11 |
| BLACK | 204" | 1/4" REAR TOE BOARD BASE (LT40S) | 087794 | 1 | H12 |
| | 226" | 1/4" REAR TOE BOARD BASE (LT40M) | 087780 | 1 | H12 |
| GREEN | 62" | 3/8" LOADING ARM BRANCH | 014797 | 2 | H13 |
| YELLOW | 63" | 3/8" LOADING ARM BRANCH | 014798 | 1 | H14 |
| YELLOW | 71" | 3/8" LOADING ARM BRANCH | 093329 | 1 | H14 |
| BLUE | 171" | 3/8" LOADING ARM CYLINDER TOP (LT40S) | 087795 | 1 | H15 |
| | 193" | 3/8" LOADING ARM CYLINDER TOP (LT40M) | 087781 | 1 | H15 |
| RED | 171" | 3/8" LOADING ARM CYLINDER BOTTOM (LT40S) | 087795 | 1 | H16 |
| | 193" | 3/8" LOADING ARM CYLINDER BOTTOM (LT40M) | 087781 | 1 | H16 |
| GREEN | 180" | 1/4" LOG CLAMP UP (LT40S) | 087796 | 1 | H17 |
| | 202" | 1/4" LOG CLAMP UP (LT40M) | 087789 | 1 | H17 |
| YELLOW | 180" | 1/4" LOG CLAMP DOWN (LT40S) | 087796 | 1 | H18 |
| | 202" | 1/4" LOG CLAMP DOWN (LT40M) | 087789 | 1 | H18 |
| WHITE | 157" | 1/4" FRONT CLAMP IN/OUT CYLINDER BOTTOM (A/DH5) | 094778 | 1 | H19 |
| ORANGE | 157" | 1/4" FRONT CLAMP IN/OUT CYLINDER TOP (A/DH5) | 094778 | 1 | H20 |
| RED | 150" | 1/4" FRONT CLAMP UP/DOWN CYLINDER BOTTOM (A/DH5) | 094779 | 1 | H21 |
| BLUE | 150" | 1/4" FRONT CLAMP UP/DOWN CYLINDER TOP (A/DH5) | 094779 | 1 | H22 |

| | | | | | |
|--------|------|--|--------|---|-----|
| WHITE | 236" | 1/4" REAR CLAMP IN/OUT CYLINDER BOTTOM (A/DH5) | 094780 | 1 | H23 |
| ORANGE | 236" | 1/4" REAR CLAMP IN/OUT CYLINDER TOP (A/DH5) | 094780 | 1 | H24 |
| RED | 220" | 1/4" REAR CLAMP UP/DOWN CYLINDER BOTTOM (A/DH5) | 094781 | 1 | H25 |
| BLUE | 220" | 1/4" REAR CLAMP UP/DOWN CYLINDER TOP (A/DH5) | 094781 | 1 | H26 |
| NONE | 15" | 3/8" HYDRAULIC VALVE TO OIL FLOW CONTROL VALVE (A/DH5) | 094782 | 1 | H27 |
| NONE | 21" | 3/8" HYDRAULIC PUMP W/MOTOR TO OIL FLOW CONTROL VALVE (A/DH5) PRZEPL YWU (A/DH5) | 087775 | 1 | H28 |
| RED | 1.50 | 1/4" FIRST CLAMP UP/DOWN CYLINDER BOTTOM (AH7) | 095211 | 1 | H29 |
| BLUE | 1.50 | 1/4" FIRST CLAMP UP/DOWN CYLINDER TOP (AH7) | 095211 | 1 | H30 |
| RED | 4.00 | 1/4" SECOND CLAMP UP/DOWN CYLINDER BOTTOM (AH7) | 095212 | 1 | H31 |
| BLUE | 4.00 | 1/4" SECOND CLAMP UP/DOWN CYLINDER TOP (AH7) | 095212 | 1 | H32 |
| RED | 7.70 | 1/4" THIRD CLAMP UP/DOWN CYLINDER BOTTOM (AH7) | 095213 | 1 | H33 |
| BLUE | 7.70 | 1/4" THIRD CLAMP UP/DOWN CYLINDER TOP (AH7) | 095213 | 1 | H34 |
| ORANGE | 0.40 | 1/4" HYDRAULIC VALVE POWER CORD - FIRST/SECOND/THIRD CLAMP, IN/OUT CYLINDER BASE T-FITTING (AH7) | 095214 | 1 | H35 |
| WHITE | 0.40 | 1/4" HYDRAULIC VALVE POWER CORD - FIRST/SECOND/THIRD CLAMP. IN/OUT CYLINDER TOP T-FITTING (AH7) | 095214 | 1 | H36 |
| ORANGE | 7.00 | 1/4" THIRD CLAMP IN/OUT CYLINDER BOTTOM (AH7) | 095215 | 1 | H37 |
| WHITE | 7.00 | 1/4" THIRD CLAMP IN/OUT CYLINDER TOP (AH7) | 095215 | 1 | H38 |
| ORANGE | 2.50 | 1/4" FIRST/SECOND CLAMP IN/OUT CYLINDER BOTTOM (AH7) | 095216 | 1 | H39 |
| WHITE | 2.50 | 1/4" FIRST/SECOND CLAMP IN/OUT CYLINDER TOP (AH7) | 095216 | 1 | H40 |
| ORANGE | 1.20 | 1/4" FIRST/SECOND CLAMP IN/OUT CYLINDER BOTTOM (AH7) | 095217 | 1 | H41 |
| WHITE | 1.20 | 1/4" FIRST/SECOND CLAMP IN/OUT CYLINDER TOP (AH7) | 095217 | 1 | H42 |

9.2 Hydraulic Hoses, LT20 Series A/DH

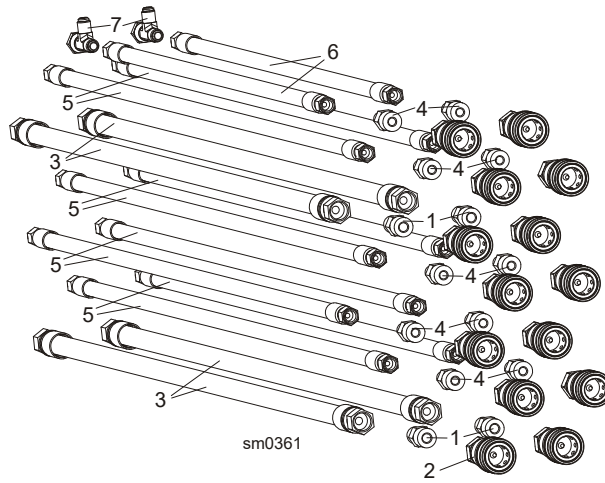
[See Section 1.18](#) of the LT20 DH Operator's Manual (Form#629).

Protective Conduits, LT20 Series A/DH Hydraulic Hoses



| Length "L" [m] | DESCRIPTION (◆ Indicates Parts Available In Assemblies Only) | PART # | QTY |
|----------------|--|--------|-----|
| 0.70 | PROTECTIVE CONDUIT, LOG TURNER HOSE | 099761 | 2 |
| 0.28 | PROTECTIVE CONDUIT, CLAMP IN/OUT CYLINDER HOSE - BASE | 099762 | 1 |
| 0.45 | PROTECTIVE CONDUIT, CLAMP IN/OUT CYLINDER HOSE - TOP | 099763 | 1 |
| 1.35 | PROTECTIVE CONDUIT, CLAMP UP/DOWN CYLINDER HOSE - BASE | 099764 | 1 |
| 1.65 | PROTECTIVE CONDUIT, CLAMP UP/DOWN CYLINDER HOSE - TOP | 099765 | 1 |

9.3 Hydraulic Hose Kit for MBX12/24H Bed Extensions, "M" Frame AH Sawmills



| REF. | DESCRIPTION (◆ Indicates Parts Available in Assemblies Only) | PART # | QTY |
|------|--|---------------|----------|
| | HYDRAULIC HOSE KIT FOR 24H21 ("M" FRAME) | 505834 | 1 |
| 1 | FITTING, G3/8-9/16-18JIC HAND PUMP | 091842 | 2 |
| 2 | FITTING, 3/8" INT. THREAD BSP FEMALE QUICK DISCONNECT | 504965 | 2 |
| 3 | HOSE, 2T3/8X7.900 W9/16UNF-W9/16UNF HYDRAULIC | 505849 | 2 |
| | HYDRAULIC HOSE KIT FOR 24H2 ("M" FRAME) | 505836 | 1 |
| 1 | FITTING, G3/8-9/16-18JIC HAND PUMP | 091842 | 2 |
| 2 | FITTING, 3/8" INT. THREAD BSP FEMALE QUICK DISCONNECT | 504965 | 4 |
| 3 | HOSE, 2T3/8X8.800 W9/16UNF-W9/16UNF HYDRAULIC | 505849 | 2 |
| 4 | FITTING, 7/16" JC/3/8" BSP STRAIGHT | 505747 | 2 |
| 5 | HOSE, 2T1/4X8.800 W7/16UNF-W7/16UNF HYDRAULIC | 505850 | 2 |
| | HYDRAULIC HOSE KIT FOR 24H3/24H4 ("M" FRAME, AH1-7) | 505840 | 1 |
| 1 | FITTING, G3/8-9/16-18JIC HAND PUMP | 091842 | 4 |
| 2 | FITTING, 3/8" INT. THREAD BSP FEMALE QUICK DISCONNECT | 504965 | 8 |
| 3 | HOSE, 2T3/8X8.800 W9/16UNF-W9/16UNF HYDRAULIC | 505849 | 4 |
| 4 | FITTING, 7/16" JC/3/8" BSP STRAIGHT | 505747 | 4 |
| 5 | HOSE, 2T1/4X8.800 W7/16UNF-W7/16UNF HYDRAULIC | 505850 | 4 |
| | HYDRAULIC HOSE KIT FOR 24H3/24H4 ("M" FRAME, AH1-7) | 506090 | 1 |
| 1 | FITTING, G3/8-9/16-18JIC HAND PUMP | 091842 | 4 |
| 2 | FITTING, 3/8" INT. THREAD BSP FEMALE QUICK DISCONNECT | 504965 | 12 |
| 3 | HOSE, 2T3/8X8.800 W9/16UNF-W9/16UNF HYDRAULIC | 505849 | 4 |
| 4 | FITTING, 7/16" JC/3/8" BSP STRAIGHT | 505747 | 8 |
| 5 | HOSE, 2T1/4X8.800 W7/16UNF-W7/16UNF HYDRAULIC | 505850 | 6 |
| 6 | HOSE, 2T1/4X6.100 W7/16UNF-W7/16UNF HYDRAULIC | 506096 | 2 |
| 7 | FITTING, W7/16" UNF JIC-2XZ7/16"UNF JIC TEE | 506098 | 2 |
| | HYDRAULIC HOSE KIT FOR 24H3/24H4 ("M" FRAME, AH1-7) | 506092 | 1 |
| 1 | FITTING, G3/8-9/16-18JIC HAND PUMP | 091842 | 4 |
| 2 | FITTING, 3/8" INT. THREAD BSP FEMALE QUICK DISCONNECT | 504965 | 14 |
| 3 | HOSE, 2T3/8X8.800 W9/16UNF-W9/16UNF HYDRAULIC | 505849 | 4 |
| 4 | FITTING, 7/16" JC/3/8" BSP STRAIGHT | 505747 | 10 |
| 5 | HOSE, 2T1/4X8.800 W7/16UNF-W7/16UNF HYDRAULIC | 505850 | 8 |

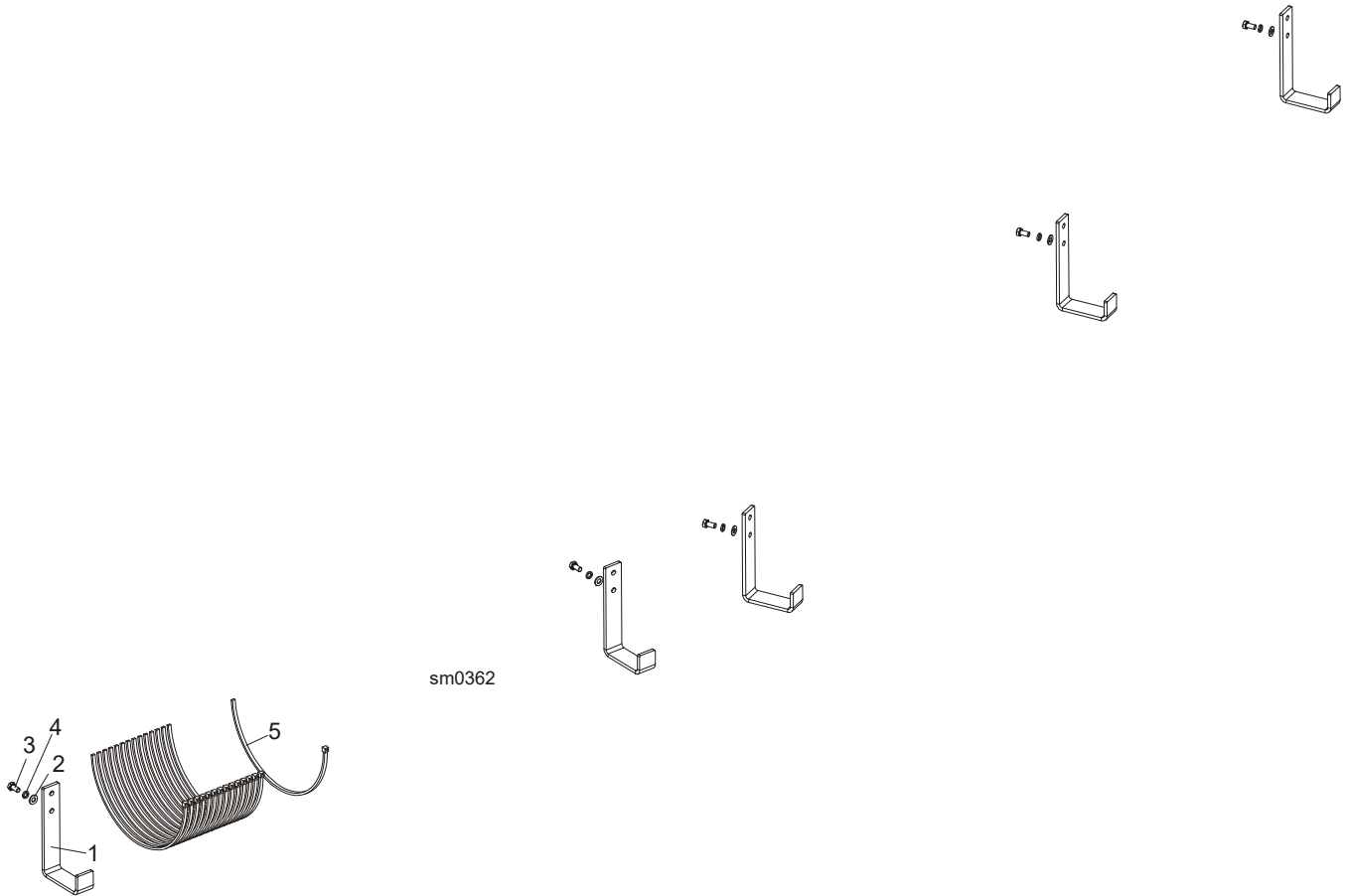


HYDRAULIC SYSTEM

Hydraulic Hose Kit for MBX12/24H Bed Extensions, "M" Frame AH Sawmills

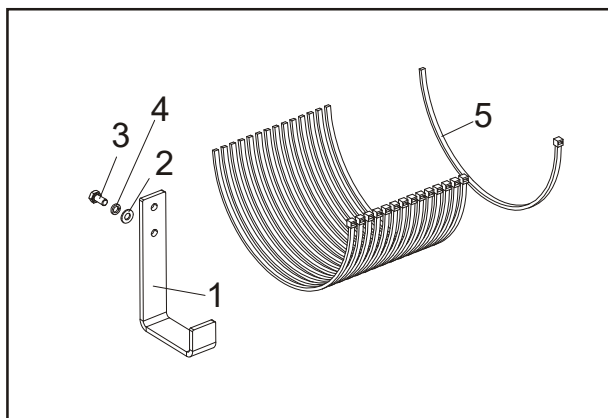
| | | | | |
|---|---|--------|---|--|
| 6 | HOSE, 2T1/4X6.100 W7/16UNF-W7/16UNF HYDRAULIC | 506096 | 2 | |
| 7 | FITTING, W7/16" UNF JIC-2XZ7/16"UNF JIC TEE | 506098 | 2 | |

9.4 Hydraulic Hose Hanger Kit, "M" Frame (AH1-3), MBX12/24H1-4

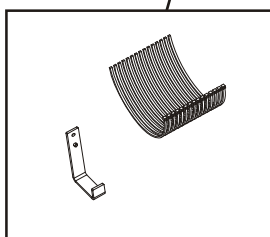


| REF. | DESCRIPTION (◆Indicates Parts Available in Assemblies Only) | PART # | QTY |
|------|---|---------------|----------|
| | HYDRAULIC HOSE HANGER KIT, "M" FRAME (AH1-3), BX24 | 506101 | 1 |
| 1 | HANGER, HYDRAULIC HOSE | 505745-1 | 5 |
| 2 | WASHER, 8.4 FLAT ZINC | F81054-1 | 5 |
| 3 | WASHER, 8.2 SPLIT LOCK ZINC | F81054-4 | 5 |
| 4 | BOLT, M8x16 -8.8-B HEX HEAD FULL THREAD ZINC | F81002-20 | 5 |
| 5 | WRAP, TKUV 50/8 WIRE TIE | F81082-3 | 15 |

9.5 Hydraulic Hose Hanger Kit, "M" Frame (AH4-7), MBX12/24H5-6



sm0363



| REF. | DESCRIPTION (◆ Indicates Parts Available in Assemblies Only) | PART # | QTY |
|------|--|---------------|----------|
| | HYDRAULIC HOSE HANGER KIT, "M" FRAME (AH1-3), BX24 | 506102 | 1 |
| 1 | HANGER, HYDRAULIC HOSE | 505745-1 | 7 |
| 2 | WASHER, 8.4 FLAT ZINC | F81054-1 | 8 |
| 3 | WASHER, 8.2 SPLIT LOCK ZINC | F81054-4 | 8 |
| 4 | BOLT, M8x16 -8.8-B HEX HEAD FULL THREAD ZINC | F81002-20 | 8 |
| 5 | WRAP, TKUV 50/8 WIRE TIE | F81082-3 | 15 |

9.6 LT20 Hydraulic Boxes

| REF. | DESCRIPTION (◆ Indicates Parts Available in Assemblies Only) | PART # | QTY | |
|------|--|---------------------|-----|--|
| - | BOX, AH7 LT20 11-SECTION HYDRAULIC - COMPLETE | 522961 ¹ | - | |
| - | BOX, LT20 AC 13-SECTION HYDRAULIC - COMPLETE | 522962 ² | - | |
| - | BOX, LT20 W/BX24 M 17-SECTION HYDRAULIC - COMPLETE | 513996 ³ | - | |
| - | BOX, LT20AC W/BX24M 11-SECTION HYDRAULIC - COMPLETE | 513999 ⁴ | - | |
| - | BOX, LT20 AH4 HYDRAULIC - COMPLETE | 509245 ⁵ | - | |

¹ For LT20AHS5, AHS6

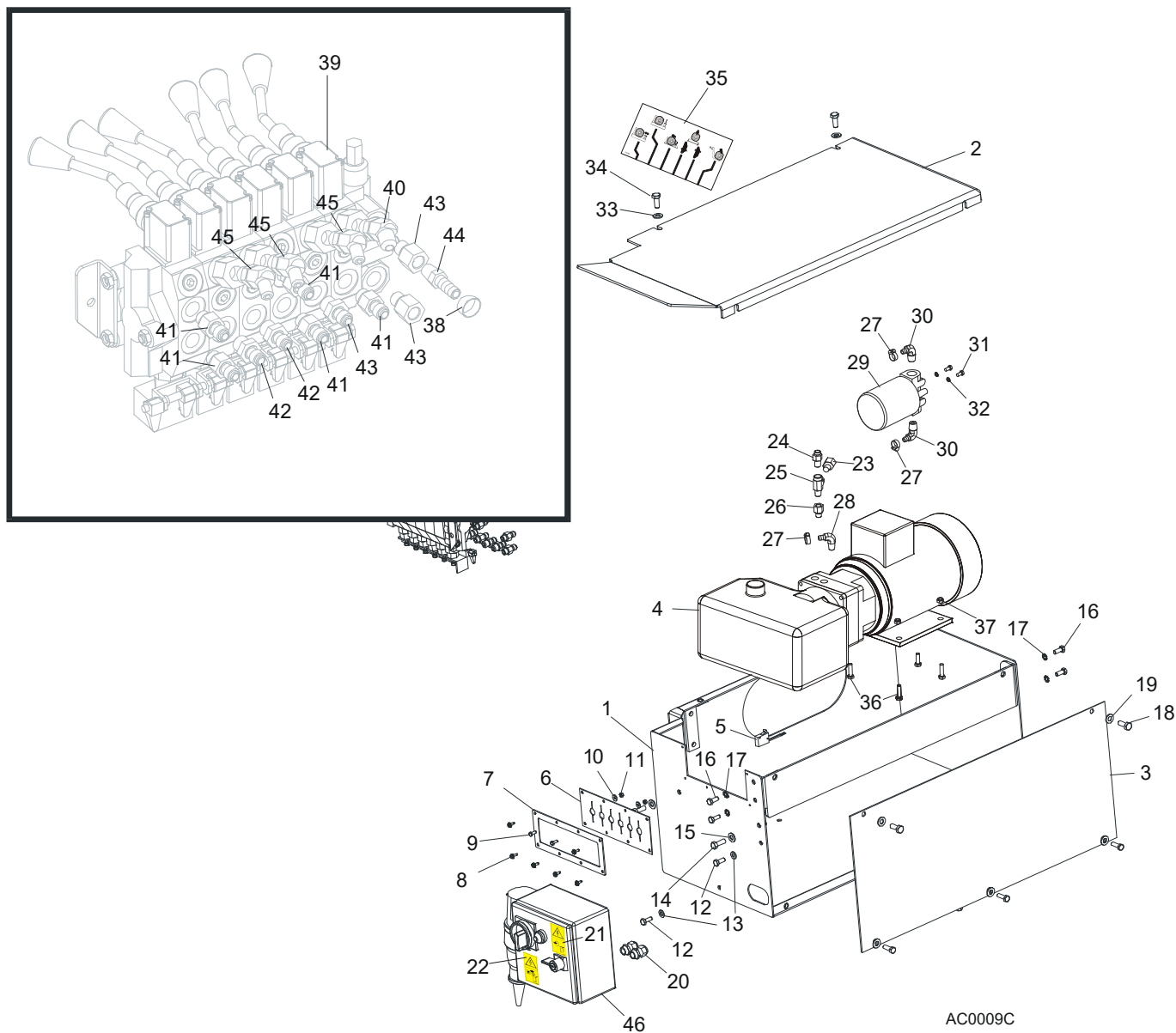
² For LT20AHS7

³ For LT20M AH7 BX24

⁴ For LT20M AH3 BX12/24

⁵ For LT20MAH4

9.7 Hydraulic Control Box, LT20 Series AH3



| REF. | DESCRIPTION (◆ Indicates Parts Available in Assemblies Only) | PART # | QTY |
|----------|--|----------|-----|
| | BOX, AC HYDRAULIC | 093035 | 1 |
| | Cap, Hole | 093544 | 2 |
| 1 | BOX WELDMENT, AC HYDRAULIC | 092243-1 | 1 |
| 2 | COVER, AC HYDRAULIC BOX TOP | 086485-1 | 1 |
| 3 | COVER, AC HYDRAULIC BOX FRONT | 086484-1 | 1 |
| 4 | PUMP, AC 4KW 14.5L/MIN HYDRAULIC W/MOTOR | 500958 | 1 |
| | Pump, AC-4kW Hydraulic | 097782 | 1 |
| | Plate, AC-4kW Hydraulic Connecting | 097783 | 1 |
| | Seal, AC-4kW Hydraulic Complete | 097784 | 1 |
| 5 | Switch, 2A 125V R-Lever NO/NC/Com | 014765 | 1 |

HYDRAULIC SYSTEM

Hydraulic Control Box, LT20 Series AH3

9

| | | | | |
|----|---|-----------|---|--|
| 6 | GUARD, RUBBER DOUBLE VALVE | 015079 | 1 | |
| 7 | PLATE, AC VALVE | 086519-1 | 1 | |
| 8 | BOLT, #10-24X1/2 SELF-TAPPING | F05015-7 | 6 | |
| 9 | BOLT, M5 X 12-5.8 HEX HEAD FULL THREAD ZINC | F81000-5 | 2 | |
| 10 | WASHER, 5.5 SPECIAL FLAT ZINC | F81052-3 | 2 | |
| 11 | NUT, M5-8 HEX ZINC | F81030-1 | 2 | |
| 12 | BOLT, M8 X 20-8.8-B HEX HEAD FULL THREAD ZINC | F81002-4 | 2 | |
| 13 | WASHER, 8.4 FLAT ZINC | F81054-1 | 2 | |
| 14 | BOLT, 3/8-16X1 HHC | F05007-7 | 2 | |
| 15 | WASHER, 10.5 FLAT ZINC | F81055-1 | 2 | |
| 16 | BOLT, M8X20-8.8-B HEX HEAD FULL THREAD ZINC | F81002-4 | 4 | |
| 17 | WASHER, 8.4 EXTERNAL STAR LOCK | F81054-3 | 4 | |
| 18 | BOLT, M10X25-8.8 HEX HEAD FULL THREAD ZINC | F81003-11 | 4 | |
| 19 | WASHER, 10.5 FLAT ZINC | F81055-1 | 4 | |
| 20 | GLAND, DW 11/H CABLE (SUPER ONLY) | 085388 | 2 | |
| 21 | DECAL, HIGH VOLTAGE INSIDE THE ELECTRIC BOX (PICTOGRAM) | 096316 | 1 | |
| 22 | DECAL, REMOVE THE PLUG BEFORE OPENING THE BOX (PICTOGRAM) | 096319 | 1 | |
| 23 | PLUG, 1/4" NPT EXTERNAL THREAD | 096221 | 1 | |
| 24 | FITTING, C5205X4X4 MALE HYDRAULIC | P09143 | 1 | |
| 25 | FITTING, 1/4NPT BRANCH TEE | 015486 | 1 | |
| 26 | FITTING, 6SAE MALE-1/4NPT FEMALE | 014686 | 1 | |
| 27 | CLAMP, 11/16 WORM | P12739 | 3 | |
| 28 | FITTING, 3/8NPT-3/8 BARB ELBOW | P12708 | 1 | |
| 29 | MANIFOLD, W/FILTER | P22683 | 1 | |
| 30 | FITTING, 1/2NPT-3/8 BARB ELBOW | P12707 | 2 | |
| 31 | BOLT, 1/4-20X1/2 HEX HEAD | F05005-15 | 2 | |
| 32 | WASHER, Z 6.1 SPLIT LOCK ZINC | F81053-3 | 2 | |
| 33 | WASHER, 10.5 FLAT ZINC | F81055-1 | 2 | |
| 34 | BOLT, M10X25-8.8 HEX HEAD FULL THREAD ZINC | F81003-11 | 2 | |
| 35 | DECAL, HYDRAULIC CONTROL SUPER 97 | 015364 | 1 | |
| 36 | BOLT, M8X30-8.8-B HEX HEAD FULL THREAD ZINC | F81002-7 | 4 | |
| 37 | NUT, M8-8-B HEX NYLON ZINC LOCK | F81032-2 | 4 | |
| 38 | CLAMP, 11/16 WORM | P12739 | 1 | |
| 39 | VALVE, 6-SECTION HYDRAULIC | 086589 | 1 | |
| | SWITCH ASSEMBLY, HYDRAULIC LEVER | 024198 | 1 | |
| 40 | FITTING, #6SAE 45 DEG. ELBOW | 015489 | 1 | |
| 41 | FITTING, 3/8O-RING-3/8JIC | 014687 | 5 | |
| 42 | FITTING, 1/4JIC-3/8 O-RING | P26284 | 3 | |
| 43 | FITTING, 6SAE MALE-1/4NPT FEMALE | 014686 | 2 | |
| 44 | FITTING, 1/4NPT-3/8 BARB | 014685 | 1 | |
| 45 | FITTING, 6SAE-4JIC 45 DEG. ELBOW | 015488 | 3 | |
| 46 | BOX, LT20 ELECTRIC | 093088 | 1 | |
| | CONTACTOR, LC1 K0910 P7 | 092736 | 1 | |
| | LIGHT, M22 230V WHITE CONTROL | 084310 | 1 | |
| | RELAY, RM4 TG20 PHASE SUPPLY CONTROL | 084452 | 1 | |
| | RELAY, RE9 RA 11MW7 TIMER | 084453 | 1 | |
| | RELAY, 72.31.8.400.0000 PHASE FAILURE | 501016 | 1 | |
| | RELAY, RELPOL MT-TUA-17S-11-92 TIMER | 501015 | 1 | |

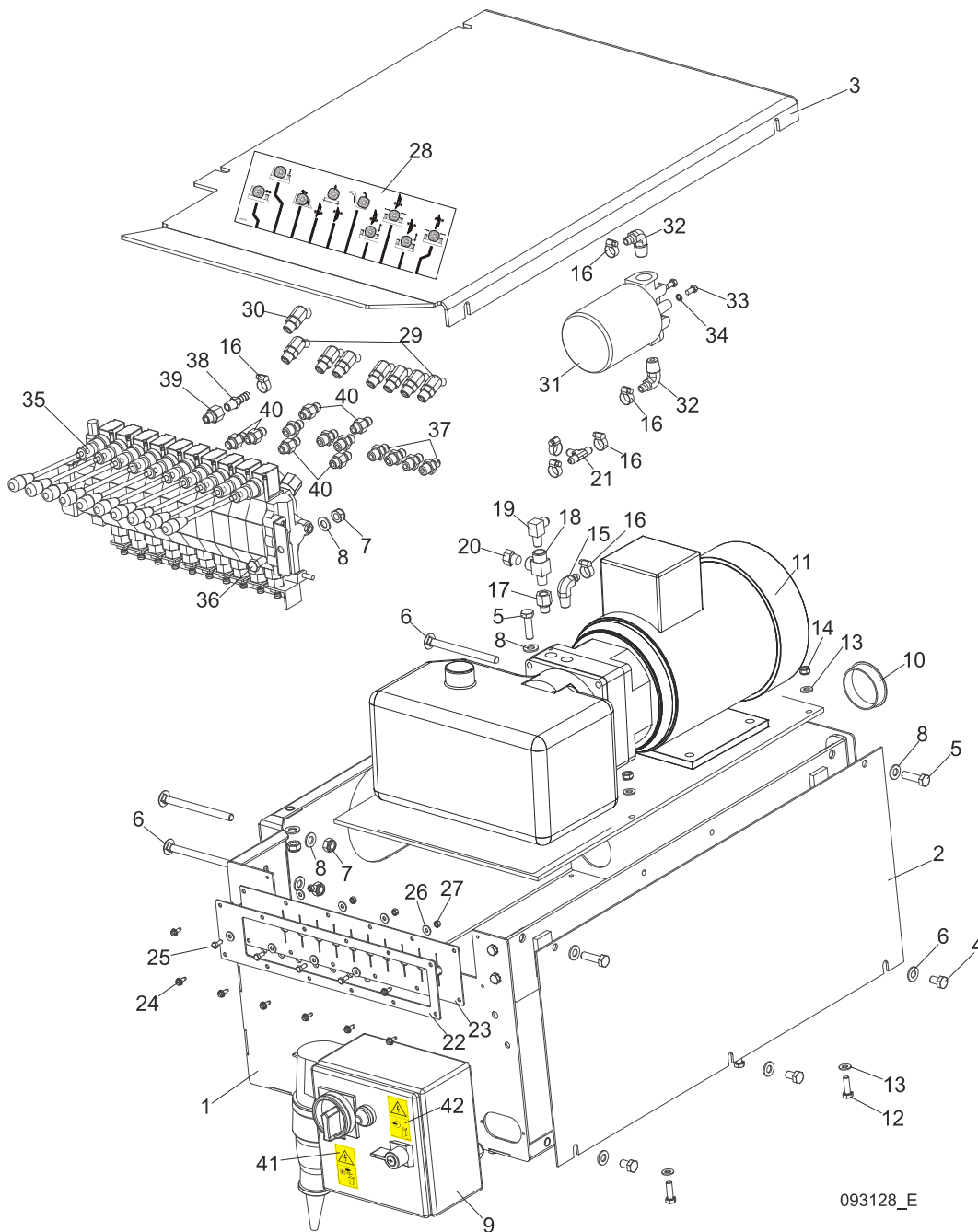


HYDRAULIC SYSTEM

Hydraulic Control Box, LT20 Series AH3

| | | | | |
|--|---|--------|---|--|
| | SWITCH, ABB OT16F3 DISCONNECT | 503541 | 1 | |
| | PLUG, 16A 5P 2607 BALS | E85239 | 1 | |
| | SWITCH, 2A 125V R-LEVER NO/NC/COM 2A 125V | 014765 | 1 | |
| | SWITCH, FA138 Z11 LIMIT | 100931 | 1 | |

9.8 Hydraulic Control Box, LT20 Series AH5/7



| REF. | DESCRIPTION (◆ Indicates Parts Available In Assemblies Only) | PART # | QTY |
|------|--|-----------|-----|
| | BOX ASSEMBLY, LT20 AH5 HYDRAULIC CONTROL | 093128 | 1 |
| 1 | BOX WELDMENT, HYDRAULIC | 091729-1 | 1 |
| | BRACKET, AC HYDRAULIC BOX - COMPLETE | 086518-1 | 1 |
| | BOLT, M8X20-8.8-B HEX HEAD FULL THREAD ZINC | F81002-4 | 4 |
| | WASHER, 8.4 EXTERIOR STAR LOCK | F81054-3 | 4 |
| 2 | COVER, AC HYDRAULIC BOX FRONT | 086484-1 | 1 |
| 3 | COVER, AC/DC HYDRAULIC BOX TOP | 091734-1 | 1 |
| 4 | BOLT, M10X16-8.8 HEX HEAD FULL THREAD ZINC | F81003-13 | 3 |



HYDRAULIC SYSTEM

Hydraulic Control Box, LT20 Series AH5/7

| | | | | |
|----|---|-----------|----|--|
| 5 | BOLT, M10X35-8.8 HEX HEAD FULL THREAD ZINC | F81003-17 | 4 | |
| 6 | BOLT, M10X125 8.8 CARRIAGE ZINC | F81003-34 | 4 | |
| 7 | NUT, M10-8-B HEX NYLON ZINC LOCK | F81033-1 | 6 | |
| 8 | WASHER, 10.5 FLAT ZINC | F81055-1 | 13 | |
| 9 | BOX, LT20 ELECTRIC | 093088 | 1 | |
| | CONTACTOR, LC1 K0910 P7 | 092736 | 1 | |
| | LIGHT, M22 230V WHITE CONTROL | 084310 | 1 | |
| | RELAY, RM4 TG20 PHASE SUPPLY CONTROL | 084452 | 1 | |
| | RELAY, 72.31.8.400.0000 PHASE FAILURE | 501016 | 1 | |
| | RELAY, RELPOL MT-TUA-17S-11-92 TIMER | 501015 | 1 | |
| | RELAY, LR2 K0316 THERMAL | 084456 | 1 | |
| | SWITCH, ABB OT16E3 DISCONNECT | 089801 | 1 | |
| | PLUG, 16A 5P 2607 BALS | E85239 | 1 | |
| | SWITCH, 2A 125V R-LEVER NO/NC/COM. | 014765 | 1 | |
| | SWITCH, FA138 Z11 LIMIT | 100931 | 1 | |
| 10 | CAP, HSA2790 (63.6 DIA.) HOLE | 092859 | 1 | |
| 11 | PUMP, AC 4 KW 14.5 L/MIN HYDRAULIC W/MOTOR | 093459 | 1 | |
| | PUMP, AC-4KW HYDRAULIC | 097782 | 1 | |
| | PLATE, AC-4KW HYDRAULIC CONNECTING | 097783 | 1 | |
| | SEAL, AC-4KW HYDRAULIC COMPLETE | 097784 | 1 | |
| 12 | BOLT, M8X25-8.8-B HEX HEAD FULL THREAD ZINC | F81002-5 | 4 | |
| 13 | WASHER, 8.4 FLAT ZINC | F81054-1 | 8 | |
| 14 | NUT, M8-8-B HEX NYLON ZINC LOCK | F81032-2 | 4 | |
| 15 | FITTING, 3/8NPT-3/8 BARB ELBOW | P12708 | 1 | |
| 16 | CLAMP, 11/16 WORM | P12739 | 7 | |
| 17 | FITTING, 6SAE MALE-1/4NPT FEMALE | 014686 | 1 | |
| 18 | FITTING, 1/4NPT BRANCH TEE | 015486 | 1 | |
| 19 | FITTING, 3/8JIC-1/4NPT 90L | 015491 | 2 | |
| 20 | PLUG, 1/4" NPT | 096221 | 1 | |
| 21 | FITTING, 3/8 BARB TEE | 015485 | 1 | |
| 22 | COVER, 10-SECTION VALVE GUARD | 091826-1 | 1 | |
| 23 | GUARD, 10-SECTION VALVE RUBBER | 091739 | 1 | |
| 24 | BOLT, #10-24X1/2, SELF-TAPPING | F05015-7 | 8 | |
| 25 | BOLT, M5X12-5.8 HEX HEAD FULL THREAD ZINC | F81000-5 | 4 | |
| 26 | WASHER, 5.5 SPECIAL FLAT ZINC | F81052-3 | 8 | |
| 27 | NUT, M5-8 HEX ZINC | F81030-1 | 4 | |
| 28 | DECAL, AH5 HYDRAULIC CONTROL BOX | 094795 | 1 | |
| | DECAL, AH7 HYDRAULIC CONTROL BOX | 094970 | 1 | |
| 29 | FITTING, 6SAE-4JIC 45 DEG. ELBOW | 015488 | 7 | |
| 30 | FITTING, #6SAE 45 DEG. ELBOW | 015489 | 1 | |
| 31 | MANIFOLD W/FILTER | P22683 | 1 | |
| 32 | FITTING, 1/2NPT-3/8 BARB ELBOW | P12707 | 2 | |
| 33 | BOLT, 1/4-20X1/2" HEX HEAD | F05005-15 | 2 | |
| 34 | WASHER, Z 6.1 SPLIT LOCK ZINC | F81053-3 | 2 | |
| 35 | VALVE, HDS11/10 6-SECTION HYDRAULIC | 091344 | 1 | |
| 36 | BOLT, M10X20-5.8 HEX HEASD FULL THREAD ZINC | F81003-1 | 2 | |
| 37 | FITTING, 1/4JIC-3/8 O-RING | P26284 | 7 | |
| 38 | FITTING, 1/4NPT-3/8 BARB | 014685 | 1 | |

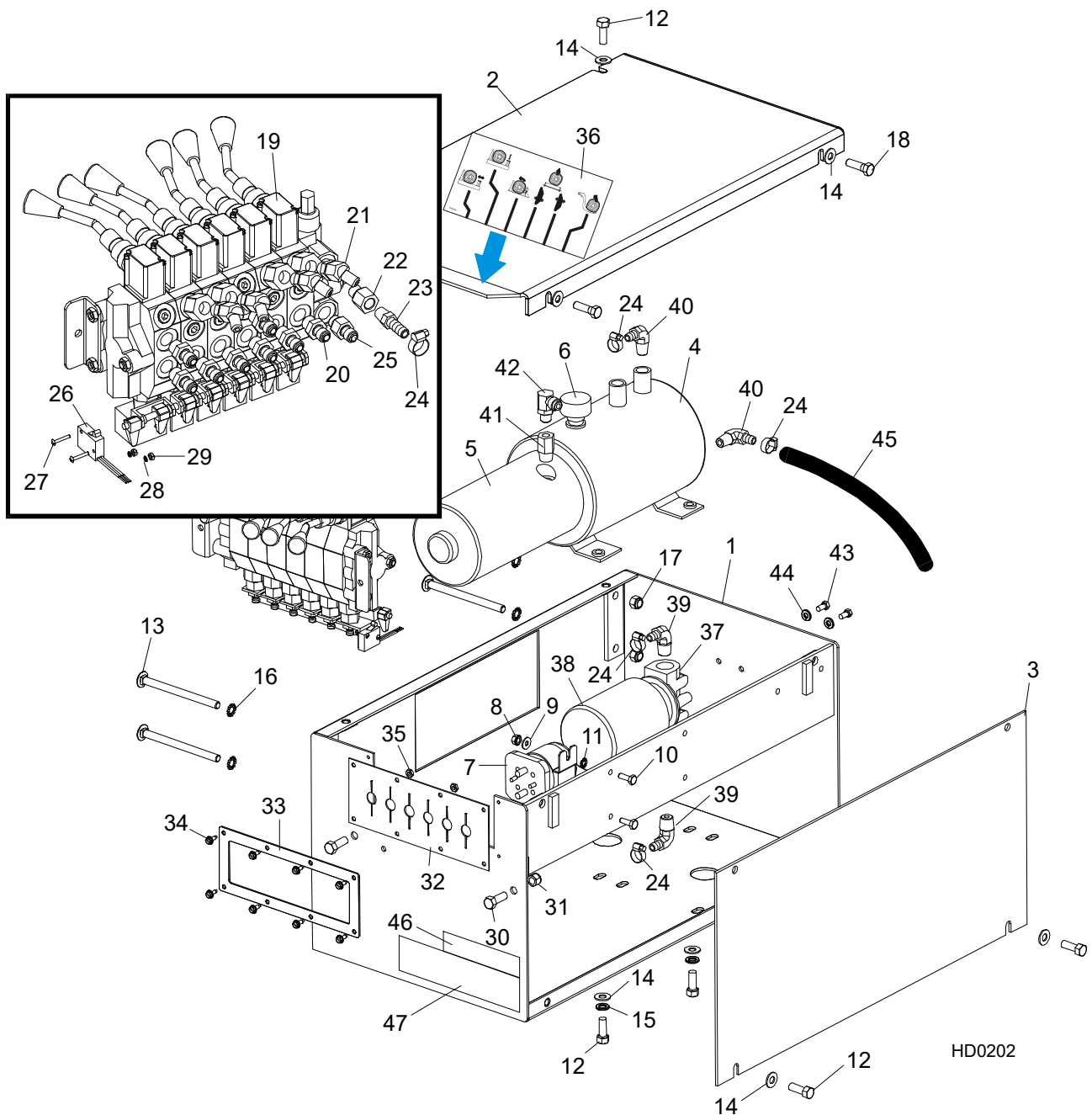
HYDRAULIC SYSTEM

Hydraulic Control Box, LT20 Series AH5/7

9

| | | | | |
|----|--|--------|---|--|
| 39 | FITTING, 6SAE MALE-1/4NPT FEMALE | 014686 | 1 | |
| 40 | FITTING, 3/8O-RING-3/8JIC | 014687 | 6 | |
| 41 | DECAL, HIGH VOLTAGE INSIDE THE ELECTRIC BOX (PICTOGRAM) | 096316 | 1 | |
| 42 | DECAL, REMOVE THE PLUG BEFORE OPENING THE BOX (PICTOGRAM) | 096319 | 1 | |

9.9 Hydraulic Control Box, LT20 Series DH3



| REF. | DESCRIPTION (◆ Indicates Parts Available In Assemblies Only) | PART # | QTY |
|------|--|----------|-----|
| 1 | BOX WELDMENT, AC 4 KW HYDRAULIC | 092243-1 | 1 |
| 2 | COVER, AC HYDRAULIC BOX TOP | 086485-1 | 1 |
| 3 | COVER, AC HYDRAULIC BOX FRONT | 086484-1 | 1 |
| 4 | PUMP ASSEMBLY, W/MOTOR HYDRAULIC | P12701 | 1 |
| 5 | MOTOR KIT, HYDRAULIC REPLACEMENT | 052807 | 1 |

HYDRAULIC SYSTEM

Hydraulic Control Box, LT20 Series DH3



| | | | | |
|----|--|------------|-------|--|
| | MOTOR, ISKRA REPLACEMENT MONARCH PUMP | 038683 | 1 | |
| | BRUSHES, HYDRAULIC MOTOR ISKAR | 038682 | 1 | |
| | BEARING, #02318 MONARCH MOTOR | P12513 | 1 | |
| 6 | CAP, HYDRAULIC PUMP VENTED FILL | P12817 | 1 | |
| | RING, 3 7/8OD 02352 'O' | P10198 | 1 | |
| | SEAL, HYDRAULIC MOTOR/PUMP | P10315 | 1 | |
| 7 | SOLENOID, 200A 12V SPST CONT. DUTY | 015470 | 1 | |
| 8 | NUT, 1/4-20 KEPS | F05010-9 | 2 | |
| 9 | WASHER, 1/4 SAE FLAT | F05011-11 | 2 | |
| 10 | Bolt, 1/4-20x3/4 HEX HEAD FULL THREAD | F05005-1 | 2 | |
| 11 | WASHER, 1/4" STAR EXT.TOOTH | F05011-37 | 2 | |
| | FLUID, DEXRON III ATF (QUART) | P12742 | 8.5 l | |
| | FLUID, ALL WEATHER HYDRAULIC (JUGS) HVI26 | P12823 | 8.5 l | |
| | FLUID, COLD WEATHER HYDRAULIC GAL CAN HVI13 | P12822 | 8.5 l | |
| 12 | BOLT, 3/8-16 X 1" HHC | F05007-7 | 8 | |
| 13 | BOLT, 3/8-16x5 CARRIAGE | F05007-113 | 4 | |
| 14 | WASHER, 3/8 SAE FLAT | F05011-3 | 10 | |
| 15 | WASHER, 3/8 SPLIT LOCK | F05011-4 | 4 | |
| 16 | WASHER, 3/8 STAR EXTERNAL | F05011-36 | 4 | |
| 17 | NUT, 3/8-16 HEX NYLON LOCK | F05010-10 | 4 | |
| 18 | SCREW, 3/8-16X1 1/4 HHC | F05007-2 | 2 | |
| 19 | VALVE, 6-SECTION HDS10/6-6 (SEE FORM # 575 FOR THE SERVICE PARTS) | 015260 | 1 | |
| 20 | FITTING, 1/4JIC-3/8 O-RING | P26284 | 8 | |
| 21 | FITTING, 6SAE-4JIC 45 DEG. ELBOW | 015488 | 4 | |
| 22 | FITTING, 6SAE MALE-1/4NPT FEMALE | 014686 | 1 | |
| 23 | FITTING, 1/4NPT-3/8 BARB | 014685 | 1 | |
| 24 | CLAMP, 11/16 WORM | P12739 | 5 | |
| 25 | FITTING, 1/4JIC-3/8 O-RING | P26284 | 1 | |
| 26 | SWITCH ASSEMBLY, HYDRAULIC LEVER | 024198 | 1 | |
| 27 | SCREW, #4-40 X 3/4" SLOTTED PAN HEAD | F05004-13 | 2 | |
| 28 | WASHER, #4 SPLIT LOCK | F05011-21 | 2 | |
| 29 | NUT, #4-40 HEX | F05010-43 | 2 | |
| 30 | BOLT, 3/8-16X1 HHC | F05007-7 | 2 | |
| 31 | NUT, 3/8-16 HEX NYLON LOCK | F05010-10 | 2 | |
| 32 | GUARD, RUBBER DOUBLE VALVE | 015079 | 1 | |
| 33 | COVER, VALVE GUARD | 086519-1 | 1 | |
| 34 | NUT, #10-24 HEX LOCK | F05015-7 | 8 | |
| 35 | NUT, #10-20 ZINC LOCK | F05010-14 | 2 | |
| 36 | DECAL, HYDRAULIC CONTROL SUPER 97 | 015364 | 1 | |
| 37 | MANIFOLD, W/FILTER | P22683 | 1 | |
| 38 | FILTER, S28 HYDRAULIC | P20301 | 1 | |
| 39 | FITTING, 1/2NPT-3/8 BARB ELBOW | P12707 | 2 | |
| 40 | FITTING, 3/8NPT-3/8 BARB ELBOW | P12708 | 2 | |
| 41 | FITTING, 3/8" NPT X 1/4" NPT REDUCER | 015490 | 1 | |
| 42 | FITTING, 1/4NPTX1/4JIC MALE ELBOW | P09142 | 1 | |
| 43 | BOLT, 1/4-20X1/2 HH | F05005-15 | 2 | |
| 44 | WASHER, 1/4" SPLIT LOCK | F05011-14 | 2 | |
| 45 | HOSE, 3/8" LOW PRESSURE HYDRAULIC | R01892-1 | A/R | |

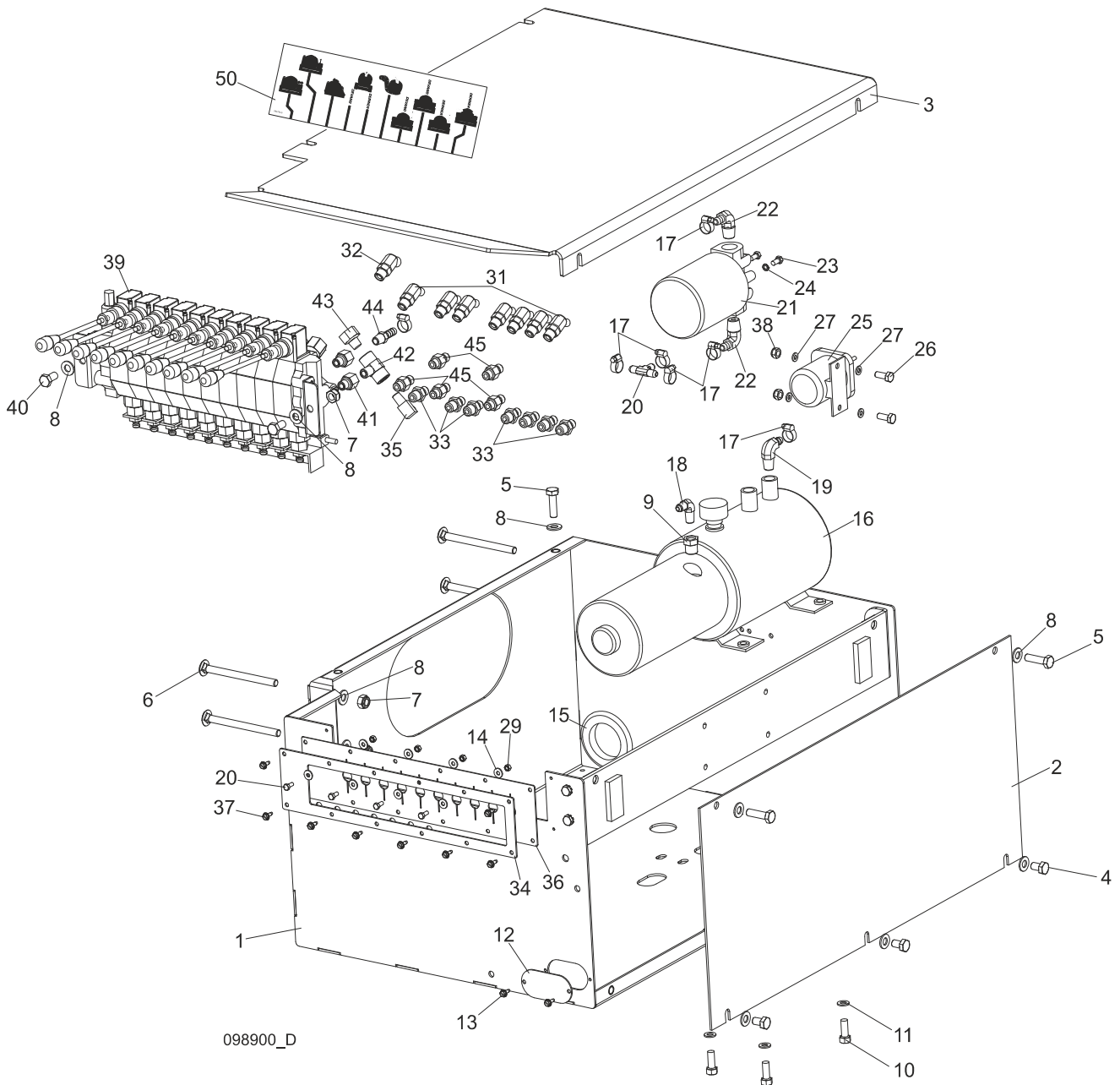


HYDRAULIC SYSTEM

Hydraulic Control Box, LT20 Series DH3

| | | | | |
|-----------|---|------------|-------|--|
| | GROUNDING ASSEMBLY, HYDRAULIC PUMP | N/A | 1 | |
| | Bolt, 3/8-16x1/2 Hex Head Grade 5 | F05004-124 | 1 | |
| | Cable, 1AWG SO Welding | R01971 | .39 m | |
| | Terminal, 5/16 1-2Ga Ring NI Loose | F05092-16 | 2 | |
| | Washer, 3/8 Star External | F05011-36 | 2 | |
| 46 | DECAL, HYDRAULIC WORKING PRESSURE | P85069 | 1 | |
| 47 | DECAL, HYDRAULIC FLUID | P85068 | 1 | |

9.10 Hydraulic Control Box, LT20 Series DH5/7



098900_D

| REF. | DESCRIPTION (◆ Indicates Parts Available in Assemblies Only) | PART # | QTY |
|------|--|-----------|-----|
| | BOX, DH5/7 LT20 HYDRAULIC CONTROL | 098900 | 1 |
| 1 | BOX WELDMENT, HYDRAULIC | 091729-1 | 1 |
| | BRACKET, AC HYDRAULIC CONTROL BOX COMPLETE | 086518-1 | 1 |
| | BOLT, M8X20-8.8-B HEX HEAD FULL THREAD ZINC | F81002-4 | 4 |
| | WASHER, 8.4 EXTERIOR STAR LOCK | F81054-3 | 4 |
| 2 | COVER, AC HYDRAULIC BOX FRONT AC | 086484-1 | 1 |
| 3 | COVER, AC/DC HYDRAULIC BOX TOP | 091734-1 | 1 |
| 4 | BOLT, M10X16-8.8 HEX HEAD FULL THREAD ZINC | F81003-13 | 3 |
| 5 | BOLT, M10X35-8.8 HEX HEAD FULL THREAD ZINC | F81003-17 | 4 |

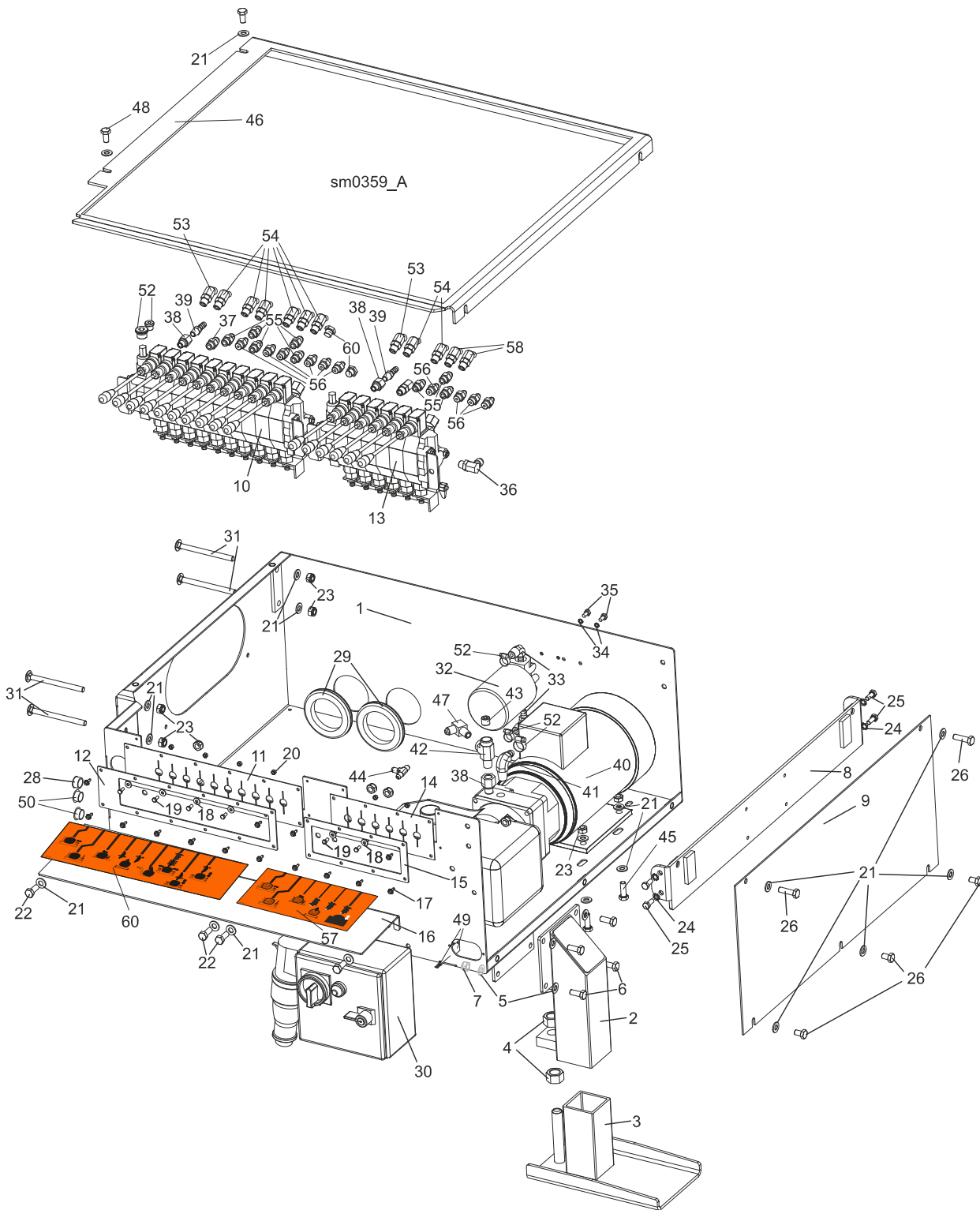


HYDRAULIC SYSTEM

Hydraulic Control Box, LT20 Series DH5/7

| | | | | |
|----|---|-----------|----|--|
| 6 | BOLT, M10X125 8.8 CARRIAGE ZINC | F81003-34 | 4 | |
| 7 | NUT, M10-8-B HEX NYLON ZINC LOCK | F81033-1 | 6 | |
| 8 | WASHER, 10.5 FLAT ZINC | F81055-1 | 13 | |
| 9 | FITTING, 3/8" NPT X 1/4" NPT REDUCER | 015490 | 1 | |
| 10 | BOLT, 3/8-16X1 HHC | F05007-7 | 4 | |
| 11 | WASHER, 8.4 FLAT ZINC | F81054-1 | 4 | |
| 12 | CAP, HYDRAULIC CONTROL BOX | 091733-1 | 1 | |
| 13 | BOLT, #10-24X1/2 SELF-TAPPING | F05015-7 | 2 | |
| 14 | WASHER, 5.5 SPECIAL FLAT ZINC | F81052-3 | 8 | |
| 15 | GROMMET, 2 1/2 DIA. RUBBER | 085614 | 1 | |
| 16 | PUMP ASSEMBLY, W/MOTOR HYDRAULIC | P12701 | 1 | |
| 17 | CLAMP, 11/16 WORM | P12739 | 5 | |
| 18 | FITTING, 1/4NPTX1/4JIC MALE ELBOW | P09142 | 1 | |
| 19 | FITTING, 3/8NPT-3/8 BARB ELBOW | P12708 | 1 | |
| 20 | BOLT, M5X12-5.8 HEX HEAD FULL THREAD ZINC | F81000-5 | 4 | |
| 21 | MANIFOLD, W/FILTER | P22683 | 1 | |
| 22 | FITTING, 1/2NPT-3/8 BARB ELBOW | P12707 | 2 | |
| 23 | BOLT, 1/4-20X1/2" HEX HEAD | F05005-15 | 2 | |
| 24 | WASHER, Z 6.1 SPLIT LOCK ZINC | F81053-3 | 2 | |
| 25 | SOLENOID, 200A 12V SPST CONT. DUTY | 015470 | 1 | |
| 26 | BOLT, M6X20-8.8-B HEX HEAD FULL THREAD ZINC | F81001-2 | 2 | |
| 27 | WASHER, 6.4 FLAT ZINC | F81053-1 | 4 | |
| 28 | NUT, M6-8-B HEX NYLON ZINC LOCK | F81032-2 | 2 | |
| 29 | NUT, M5-8 HEX ZINC | F81030-1 | 4 | |
| 30 | VALVE, MTKA.VB OIL FLOW CONTROL | 093794 | 1 | |
| 31 | FITTING, 6SAE-4JIC 45 DEG. ELBOW | 015488 | 7 | |
| 32 | FITTING, #6SAE 45DEG ELBOW | 015489 | 1 | |
| 33 | FITTING, 1/4JIC-3/8 O-RING | P26284 | 7 | |
| 34 | COVER, 10-SECTION VALVE GUARD | 091826-1 | 1 | |
| 35 | FITTING, 3/8JIC-1/4NPT 90L | 015491 | 2 | |
| 36 | GUARD, 10-SECTION VALVE RUBBER | 091739 | 1 | |
| 37 | BOLT, #10-24X1/2, SELF-TAPPING | F05015-7 | 8 | |
| 38 | NUT, M6-8-B HEX NYLON ZINC LOCK | F81031-2 | 2 | |
| 39 | VALVE, HDS11/10 6-SECTION HYDRAULIC | 091344 | 1 | |
| 40 | BOLT, M10X20-5.8 HEX HEAD FULL THREAD ZINC | F81003-1 | 2 | |
| 41 | FITTING, 6SAE MALE-1/4NPT FEMALE | 014686 | 2 | |
| 42 | FITTING, 1/4NPT BRANCH TEE | 015486 | 1 | |
| 43 | PLUG, 1/4" NPT BLANK | 096221 | 1 | |
| 44 | FITTING, 1/4NPT-3/8 BARB | 014685 | 1 | |
| 45 | FITTING, 3/8 O-RING-3/8JIC | 014687 | 5 | |
| 46 | FITTING, 6SAE-4JIC 45 DEG. ELBOW | 015488 | 7 | |
| 47 | FITTING, #6SAE 45DEG ELBOW | 015489 | 1 | |
| 48 | FITTING, 1/4JIC-3/8 O-RING | P26284 | 7 | |
| 49 | COVER, 10-SECTION VALVE GUARD | 091826-1 | 1 | |
| 50 | DECAL, DH5 HYDRAULIC CONTROL BOX | 094795 | 1 | |
| | DECAL, DH7 HYDRAULIC CONTROL BOX | 094970 | 1 | |

9.11 Hydraulic Control Box, AC 16-Section LT20/40/70



| REF. | DESCRIPTION (◆ Indicates Parts Available in Assemblies Only) | PART # | QTY |
|------|--|--------|-----|
|------|--|--------|-----|



HYDRAULIC SYSTEM

Hydraulic Control Box, AC 16-Section LT20/40/70

| | | | | |
|----|--|-----------------------|----|--|
| | BOX, AC 16-SECTION LT40/70 HYDRAULIC CONTROL - COMPLETE | 505945 | 1 | |
| | BOX, AC 16-SECTION LT20 HYDRAULIC CONTROL - COMPLETE | 505950 | 1 | |
| 1 | BOX WELDMENT, HYDRAULIC | 505946-1 | 1 | |
| | LEG, HYDRAULIC CONTROL BOX | 505741 | 1 | |
| 2 | LEG, HYDRAULIC CONTROL BOX - UPPER PART | 505742-1 | 1 | |
| 3 | FOOT, ADJUSTABLE LEG WIDE | 501084-1 | 1 | |
| 4 | NUT, M20-8 HEX ZINC | F81037-1 | 2 | |
| 5 | WASHER, 10.5 FLAT ZINC | F81055-1 | 8 | |
| 6 | BOLT, M10x25-8.8 HEX HEAD FULL THREAD ZINC | F81003-11 | 4 | |
| 7 | NUT, M10-8-B HEX NYLON ZINC LOCK | F81033-1 | 4 | |
| 8 | BRACKET, AC HYDRAULIC CONTROL BOX - COMPLETE | 086518-1 | 1 | |
| 9 | COVER, AC HYDRAULIC BOX FRONT | 086484-1 | 1 | |
| 10 | VALVE, HDS11/10 8-SECTION HYDRAULIC | 091344 | 1 | |
| 11 | GUARD, 10-SECTION HYDRAULIC VALVE RUBBER | 091739 | 1 | |
| 12 | COVER, 10-SECTION VALVE GUARD | 091826-1 | 1 | |
| 13 | VALVE, 6-SPOOL FOR SERIES CONNECTION | 501104 | 1 | |
| 14 | GUARD, RUBBER DOUBLE VALVE | 015079 | 1 | |
| 15 | PLATE, AC VALVE | 086519-1 | 1 | |
| 16 | PLATE FOR DECALS | 505949-1 | 1 | |
| 17 | BOLT, #10-24X1/2 SELF-TAPPING | F05015-7 | 14 | |
| 18 | WASHER, 5.5 SPECIAL FLAT ZINC | F81052-3 | 6 | |
| 19 | BOLT, M5x12-5.8 HEX HEAD FULL THREAD ZINC | F81000-5 | 6 | |
| 20 | NUT, M5-8 HEX ZINC | F81030-1 | 6 | |
| 21 | WASHER, 10.5 FLAT ZINC | F81055-1 | 23 | |
| 22 | BOLT, M10x25-8.8 HEX HEAD FULL THREAD ZINC | F81003-11 | 4 | |
| 23 | NUT, M10-8-B HEX NYLON ZINC LOCK | F81033-1 | 12 | |
| 24 | WASHER, 8.4 EXTERIOR STAR LOCK | F81054-3 | 4 | |
| 25 | BOLT, M8x20-8.8-B HEX HEAD FULL THREAD ZINC | F81002-4 | 4 | |
| 26 | BOLT, M10x16-8.8 HEX HEAD FULL THREAD ZINC | F81003-13 | 3 | |
| 27 | BOLT, M10x35-8.8 HEX HEAD FULL THREAD ZINC | F81003-17 | 2 | |
| 28 | GROMMET, 5/8 WIRE | P04137 | 1 | |
| 29 | GROMMET, 80MM DIA. RUBBER | 089293 | 2 | |
| 30 | BOX, AC 4kW ELECTRIC | 089799 ¹ | 1 | |
| | BOX, LT20 ELECTRIC | 093088 ² | 1 | |
| | BOX, LT20 ELECTRIC (NORWAY) | 093088-2 ³ | 1 | |
| 31 | BOLT, M10X125 8.8 CARRIAGE ZINC | F81003-34 | 4 | |
| 32 | MANIFOLD, W/FILTER | P22683 | 1 | |
| 33 | FITTING, 1/2NPT-3/8 BARB ELBOW | P12707 | 2 | |
| 34 | WASHER, Z 6.1 SPLIT LOCK ZINC | F81053-3 | 2 | |
| 35 | BOLT, 1/4-20X1/2 HH | F05005-15 | 2 | |
| 36 | FITTING, #6 SAE 3/8"JIC ELBOW | P12704 | 1 | |
| 37 | FITTING, 3/8O-RING-3/8JIC | 014687 | 1 | |
| 38 | FITTING, 6SAE MALE-1/4NPT FEMALE | 014686 | 3 | |
| 39 | FITTING, 1/4NPT-3/8 BARB | 014685 | 2 | |
| 40 | PUMP, AC 4KW 14.5L/MIN HYDRAULIC W/MOTOR | 500958 | 1 | |
| 41 | FITTING, 3/8NPT-3/8 BARB ELBOW | P12708 | 1 | |
| 42 | FITTING, 1/4NPT BRANCH TEE | 015486 | 1 | |

| | | | | |
|----|--|----------|---|--|
| 43 | PLUG, TN 192-1/4NPT W/EXTERNAL THREAD | 096221 | 1 | |
| 44 | FITTING, 3/8 BARB TEE | 015485 | 1 | |
| 45 | BOLT, M10x30-5.8 HEX HEAD FULL THREAD ZINC | F81003-2 | 4 | |
| 46 | COVER, HYDRAULIC BOX TOP | 505948-1 | 1 | |
| 47 | FITTING, 3/8JIC-1/4NPT 90L | 015491 | 2 | |
| 48 | BOLT, M10X20-5.8 HEX HEAD FULL THREAD ZINC | F81003-1 | 2 | |
| 49 | SWITCH, 2A 125V R-LEVER NO/NC/COM | 014765 | 1 | |
| 50 | CAP, SR1086 22.2 HOLE | 093544 | 2 | |
| 51 | FITTING, #6SAE 45DEG ELBOW | 015489 | 1 | |
| 52 | PLUG KIT FOR BOX #500508 | 505060 | 1 | |
| 53 | FITTING, #6SAE 45DEG ELBOW | 015489 | * | |
| 54 | FITTING, 6SAE-4JIC 45 DEG ELBOW | 015488 | * | |
| 55 | FITTING, 3/8O-RING-3/8JIC | 014687 | * | |
| 56 | FITTING, 1/4JIC-3/8 O-RING | P26284 | * | |
| 57 | DECAL, 24H1-6 FOR 16-SECTION BOX | 505961 | 1 | |
| 58 | FITTING, 6SAE-4JIC 45 DEG ELBOW | 015488 | * | |
| 59 | PLUG, 9/16-18 JIC HYDRAULIC VALVE | 089647 | * | |
| 60 | DECAL FOR AH5/16-SECTION BOX | 506099 | 1 | |

¹ Included in 505945 (LT40/70)

² Included in 505950 (LT20)

³ Included in 505950 (LT20)

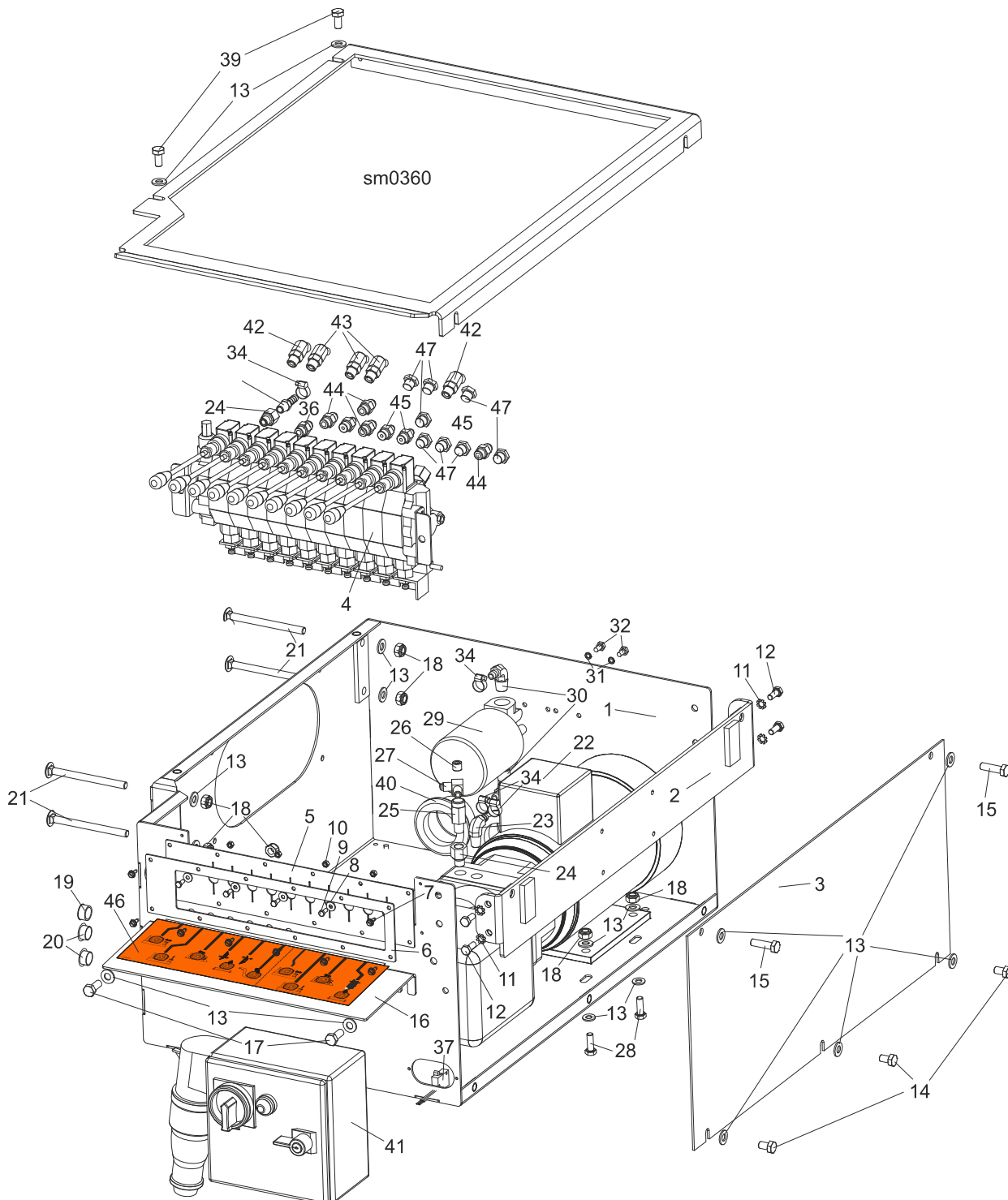
* Depends on hydraulic system configuration.



HYDRAULIC SYSTEM

Hydraulic Control Box, AC 10-Section LT20/40/70

9.12 Hydraulic Control Box, AC 10-Section LT20/40/70



| REF. | DESCRIPTION (◆ Indicates Parts Available in Assemblies Only) | PART # | QTY |
|------|--|----------|-----|
| | BOX, AC 10-SECTION BX24 LT40/70 HYDRAULIC CONTROL - COMPLETE | 506446 | 1 |
| | BOX, AC 10-SECTION LT20 BX24 HYDRAULIC CONTROL | 506555 | 1 |
| 1 | BOX WELDMENT, HYDRAULIC | 091729-1 | 1 |

| | | | | |
|----|---|-----------------------|----|--|
| 2 | BRACKET, AC HYDRAULIC CONTROL BOX COMPLETE | 086518-1 | 1 | |
| 3 | COVER, AC HYDRAULIC BOX FRONT | 086484-1 | 1 | |
| 4 | VALVE, HDS11/10 8-SECTION HYDRAULIC | 091344 | 1 | |
| 5 | GUARD, 10-SECTION VALVE RUBBER | 091739 | 1 | |
| 6 | PLATE, 10-SECTION VALVE | 091826-1 | 1 | |
| 7 | BOLT, #10-24x1/2 SELF-TAPPING | F05015-7 | 8 | |
| 8 | WASHER, 5.5 SPECIAL FLAT ZINC | F81052-3 | 4 | |
| 9 | BOLT, M5x12-5.8 HEX HEAD FULL THREAD ZINC | F81000-5 | 4 | |
| 10 | NUT, M5-8 HEX ZINC | F81030-1 | 4 | |
| 11 | WASHER, 8.4 EXTERIOR STAR LOCK | F81054-3 | 4 | |
| 12 | BOLT, M8x20-8.8-B HEX HEAD FULL THREAD ZINC | F81002-4 | 4 | |
| 13 | WASHER, 10.5 FLAT ZINC | F81055-1 | 21 | |
| 14 | BOLT, M10x16-8.8 HEX HEAD FULL THREAD ZINC | F81003-13 | 3 | |
| 15 | BOLT, M10x35-8.8 HEX HEAD FULL THREAD ZINC | F81003-17 | 2 | |
| 16 | PLATE, DECAL | 506588-1 | 1 | |
| 17 | BOLT, M10x25-8.8 HEX HEAD FULL THREAD ZINC | F81003-11 | 2 | |
| 18 | NUT, M10-8-B HEX NYLON ZINC LOCK | F81033-1 | 10 | |
| 19 | GROMMET, 5/8 WIRE | P04137 | 1 | |
| 20 | CAP, SR1086 22.2 HOLE | 093544 | 2 | |
| 21 | BOLT, MM10x125 8.8 CARRIAGE ZINC | F81003-34 | 4 | |
| 22 | PUMP, AC 4KW 14.5L/MIN HYDRAULIC W/MOTOR | 500958 | 1 | |
| 23 | FITTING, #6-6 (3/8"NPT) - 3/8" ELBOW | P12708 | 1 | |
| 24 | FITTING, #6SEA MALE - 1/4NPT FEMALE | 014686 | 2 | |
| 25 | FITTING, 1/4NPT BRANCH TEE | 015486 | 1 | |
| 26 | PLUG, TN 192-1/4NPT W/EXTERNAL THREAD | 096221 | 1 | |
| 27 | FITTING, 3/8JIC-1/4NPT 90L | 015491 | 2 | |
| 28 | BOLT, M10X30-5.8 HEX HEAD FULL THREAD ZINC | F81003-2 | 4 | |
| 29 | MANIFOLD, W/FILTER | P22683 | 1 | |
| 30 | FITTING, 1/2NPT-3/8 BARB ELBOW | P12707 | 2 | |
| 31 | WASHER, Z 6.1 SPLIT LOCK ZINC | F81053-3 | 2 | |
| 32 | BOLT, 1/4-20X1/2 HH | F05005-15 | 2 | |
| 33 | VALVE, MTKA.VB OIL FLOW CONTROL | 093794 | 1 | |
| 34 | CLAMP, 11/16 HOSE | 061807 | 8 | |
| 35 | FITTING, 1/4NPT-3/8 BARB | 014685 | 1 | |
| 36 | FITTING, 3/8O-RING-3/8JIC | 014687 | 1 | |
| 37 | SWITCH, 2A 125V R-LEVER NO/NC/COM | 014765 | 1 | |
| 38 | COVER, HYDRAULIC BOX TOP | 506587-1 | 1 | |
| 39 | BOLT, M10x20-5.8 HEX HEAD FULL THREAD ZINC | F81003-1 | 2 | |
| 40 | GROMMET, 2 1/2 DIA. RUBBER | 085614 | 2 | |
| 41 | BOX, AC 4kW ELECTRIC | 089799 ¹ | 1 | |
| | BOX, LT20 ELECTRIC | 093088 ² | 1 | |
| | BOX, LT20 ELECTRIC (NORWAY) | 093088-2 ³ | 1 | |
| 42 | FITTING, #6SAE 45 DEG. ELBOW | 015489 | * | |
| 43 | FITTING, 6SAE-4JIC 45 DEG. ELBOW | 015488 | * | |
| 44 | FITTING, 3/8 O-RING-3/8JIC | 014687 | * | |
| 45 | FITTING, 1/4JIC-3/8 O-RING | P26284 | * | |
| 46 | DECAL, 24H1-6 16-SECTION BOX | 506589 | 1 | |
| 47 | PLUG, 9/16-18 JIC HYDRAULIC VALVE | 089647 | * | |



HYDRAULIC SYSTEM

Hydraulic Control Box, AC 10-Section LT20/40/70

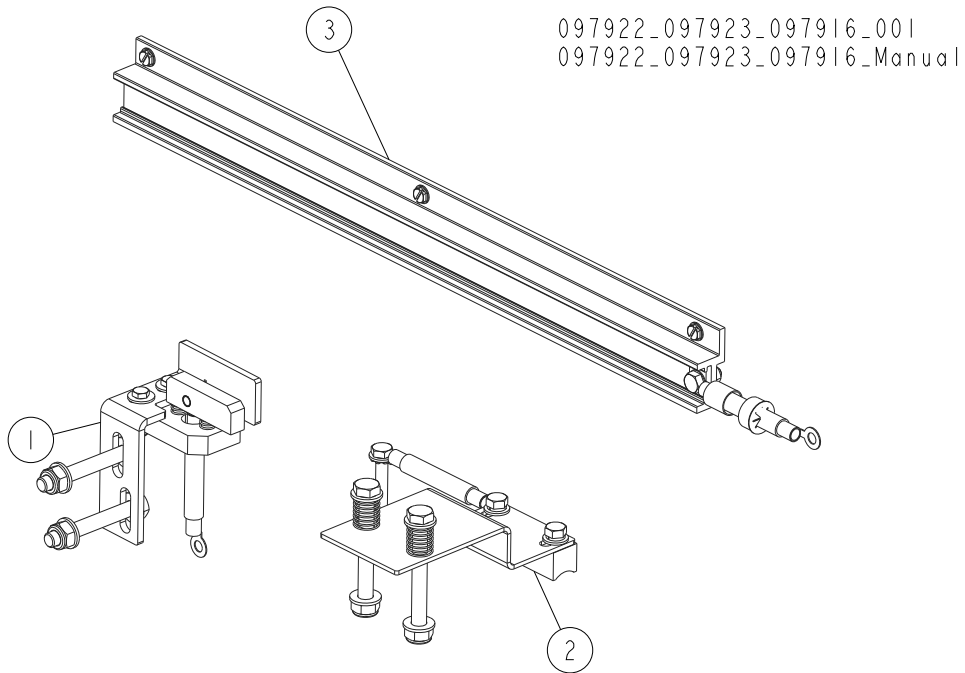
¹ Included in 506446 (LT40/70)

² Included in 506555 (LT20)

³ Included in 506555 (LT20)

*Depends on hydraulic system configuration.

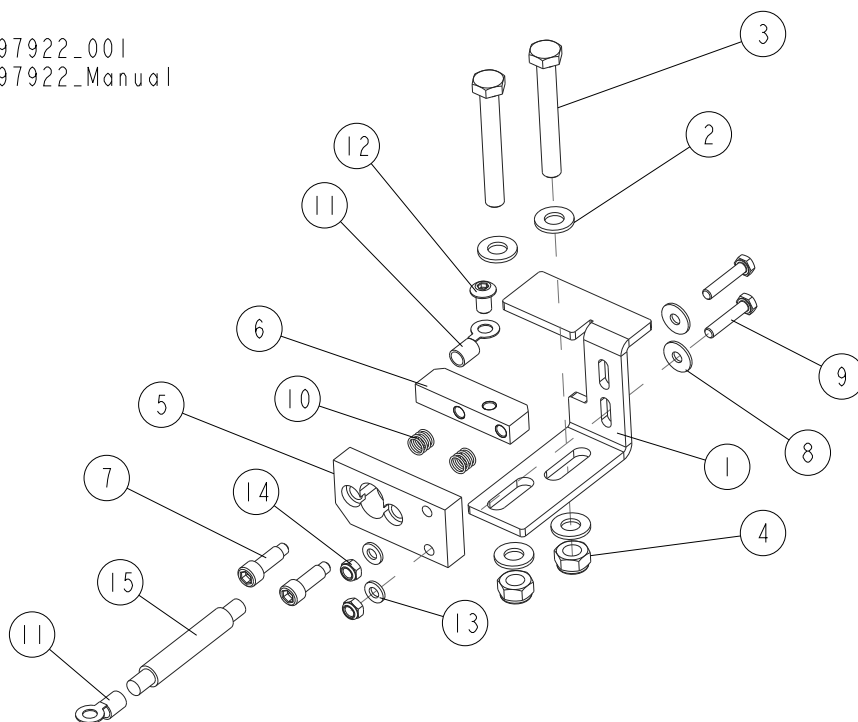
9.13 Hydraulic Power Supply Strip, DC



| REF. | DESCRIPTION (◆ Indicates Parts Available in Assemblies Only) | PART # | QTY | |
|------|--|--------|-----|--|
| 1 | CONTACT ASSEMBLY, LT20 HYDRAULIC POWER SUPPLY (POSITIVE) See Section 9.14 | 097922 | 1 | |
| 2 | CONTACT ASSEMBLY, LT20 HYDRAULIC POWER SUPPLY (GROUND) See Section 9.15 | 097923 | 1 | |
| 3 | STRIP ASSEMBLY, LT20 HYDRAULIC POWER SUPPLY See Section 9.17 | 097916 | 1 | |

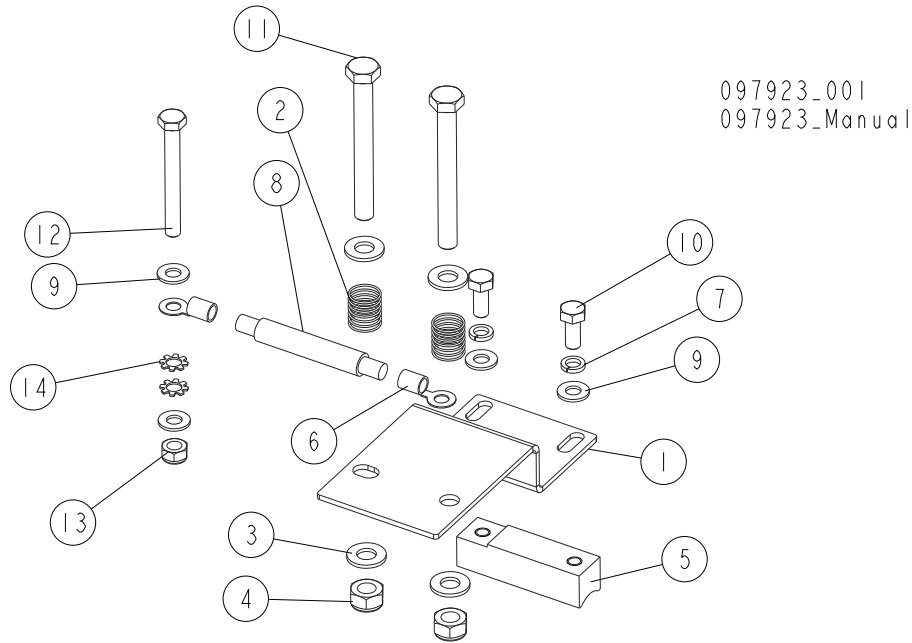
9.14 Positive Contact Assembly

097922_001
097922_Manual



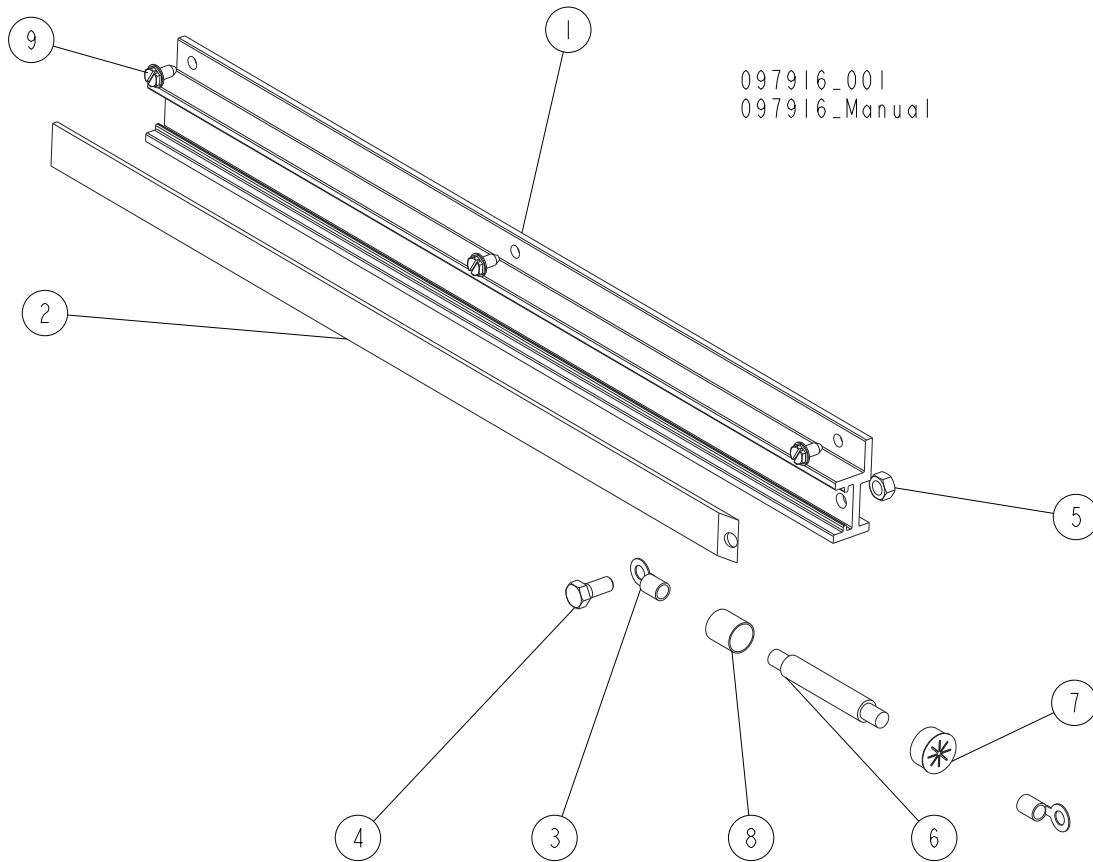
| REF. | DESCRIPTION (◆ Indicates Parts Available in Assemblies Only) | PART # | QTY | |
|-----------|--|---------------|----------|---|
| | CONTACT ASSEMBLY, LT20 HYDRAULIC POWER SUPPLY (POSITIVE) | 097922 | 1 | |
| 1 | BRACKET, POSITIVE CONTACT MOUNTING | 097911-1 | 1 | |
| 2 | WASHER, 10.5 FLAT ZINC | F81055-1 | 4 | |
| 3 | BOLT, M10X75-8.8 HEX HEAD ZINC | F81003-15 | 2 | |
| 4 | NUT, M10-8-B HEX NYLON ZINC LOCK | F81033-1 | 2 | |
| 5 | PLATE, 1/2 NYLON INSULATOR CONTACT | S10072 | 1 | |
| 6 | BUTTON, HOT CONTACT 1997 | 015253 | 1 | |
| 7 | BOLT, 5/16X3/4 SHOULDER 1/4-20 THREAD | F05006-44 | 2 | |
| 8 | WASHER, 6.5 SPECIAL FLAT ZINC | F81053-11 | 2 | |
| 9 | BOLT, M6X30-8.8 HEX HEAD FULL THREAD ZINC | F81001-8 | 2 | |
| 10 | SPRING, .42X.59X.042 COMPRESSION | P10077 | 2 | |
| 11 | TERMINAL, K050/8 RING | F81067-2 | 2 | |
| 12 | BOLT, 5/16-18X1/2 SOCKET BUTTON HEAD | F05006-20 | 1 | |
| 13 | WASHER, 6.4 FLAT ZINC | F81053-1 | 2 | |
| 14 | NUT, M6-8-B HEX NYLON ZINC LOCK | F81031-2 | 2 | |
| 15 | CABLE, H07V-K BK 1X50 | R80591-1 | 0.70m | ◆ |

9.15 Ground Contact Assembly



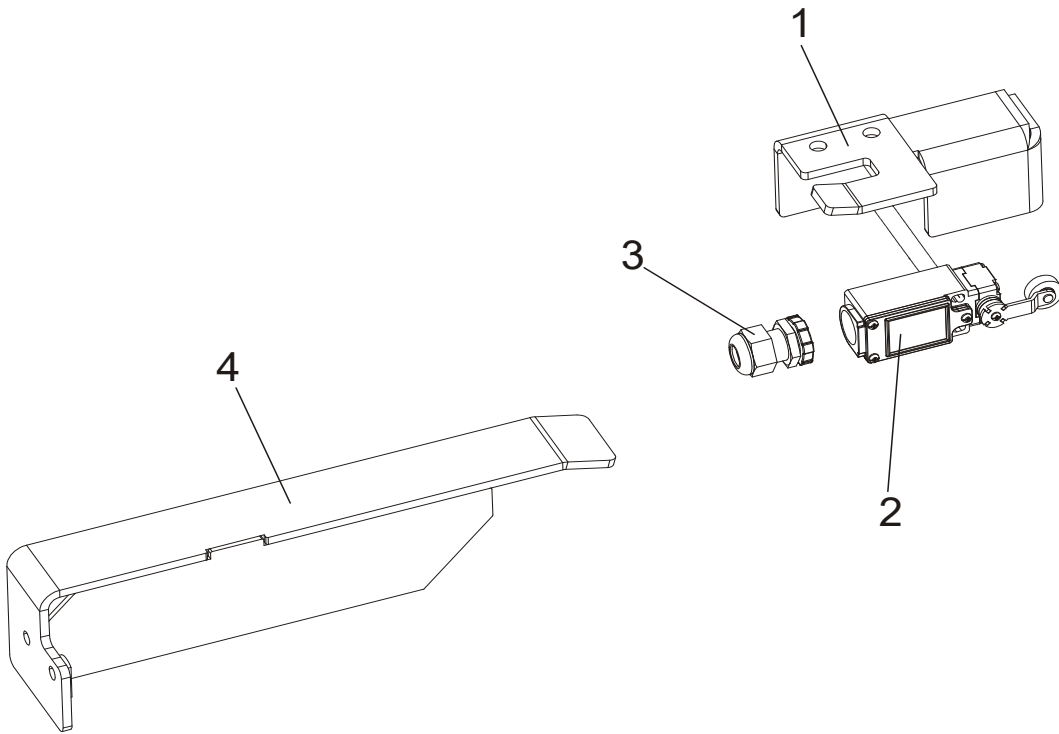
| REF. | DESCRIPTION (◆ Indicates Parts Available in Assemblies Only) | PART # | QTY | |
|------|---|---------------|----------|---|
| | CONTACT ASSEMBLY, LT20 HYDRAULIC POWER SUPPLY (GROUND) | 097923 | 1 | |
| 1 | BRACKET, GROUND CONTACT MOUNTING | 097912-1 | 1 | |
| 2 | SPRING, .715X1.53X.068DIA SS COMPRESSION | P04282 | 2 | |
| 3 | WASHER, 10.5 FLAT ZINC | F81055-1 | 4 | |
| 4 | NUT, M10-8-B HEX NYLON ZINC LOCK | F81033-1 | 2 | |
| 5 | BLOCK, EXTEN. HYD. GROUND CONTACT | 015264 | 1 | |
| 6 | TERMINAL, K050/8 RING | F81067-2 | 2 | |
| 7 | WASHER, 8.2 SPLIT LOCK ZINC | F81054-4 | 2 | |
| 8 | CABLE, H07V-K BK 1X50 | R80591-1 | 0.76m | ◆ |
| 9 | WASHER, 8.4 FLAT ZINC | F81054-1 | 4 | |
| 10 | BOLT, 5/16-18X3/4 HEX HEAD GRADE 5 ZINC | F05006-102 | 2 | |
| 11 | BOLT, M10X90-8.8-B HEX HEAD ZINC | F81003-66 | 2 | |
| 12 | BOLT, M8X70-8.8 HEX HEAD ZINC | F81002-71 | 1 | |
| 13 | NUT, M8 8 HEX NYLON ZINC LOCK | F81032-2 | 1 | |
| 14 | WASHER, 8.4 SERRATED LOCK EXTERNAL TEETH ZINC | F81054-3 | 2 | |

9.16 Hydraulic Power Supply Strip



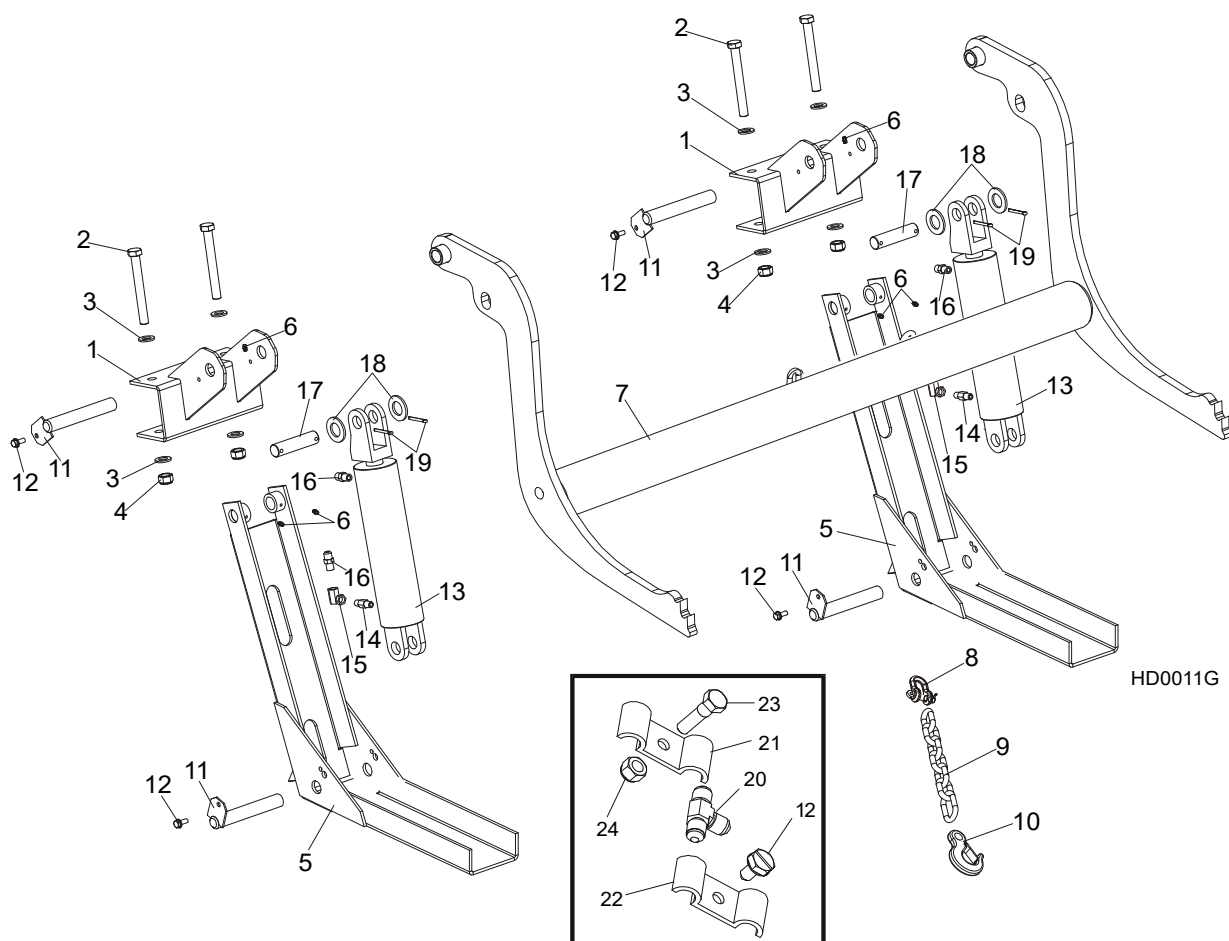
| REF. | DESCRIPTION (◆ Indicates Parts Available in Assemblies Only) | PART # | QTY | |
|------|--|---------------|----------|---|
| | STRIP ASSEMBLY, LT20 HYDRAULIC POWER SUPPLY | 097916 | 1 | |
| | CONTACT STRIP ASSEMBLY, LT20 | 500355 | 1 | |
| 1 | HOUSING, LT20/DH CONTACT STRIP | 097915 | 1 | |
| 2 | STRIP, 1/8X1X22-5/32 COPPER CONTACT | 097914 | 1 | |
| 3 | TERMINAL, K050/8 RING | F81067-2 | 2 | |
| 4 | SCREW, 5/16-18X3/4 BLACK NYLON HHC | F05006-45 | 1 | |
| 5 | NUT, 5/16-18 BLACK NYLON HEX | F05010-86 | 1 | |
| 6 | CABLE, H07V-K BK 1X50 | R80591-1 | 1.90m | ◆ |
| 7 | GROMMET, 5/8 WIRE | P04137 | 1 | |
| 8 | TUBING, RC19/9.5 HEAT SHRINK BLACK | R80600-3 | 0.14m | ◆ |
| 9 | BOLT, 1/4-20X1/2 SELF-TAPPING HH | F05015-1 | 3 | |

9.17 Hydraulic System Switch (AC)



| REF. | DESCRIPTION (◆ Indicates Parts Available in Assemblies Only) | PART # | QTY |
|------|--|----------|-----|
| 1 | BRACKET, LOADING POSITION LIMIT SWITCH | 092723-1 | 1 |
| 2 | SWITCH, FA138 Z11 LIMIT | 100931 | 1 |
| 3 | GLAND, SKINTOP ST PG 13.5 GREY CABLE | 086524 | 1 |
| 4 | PLATE, LIMIT SWITCH ACTIVATOR | 092738-1 | 1 |

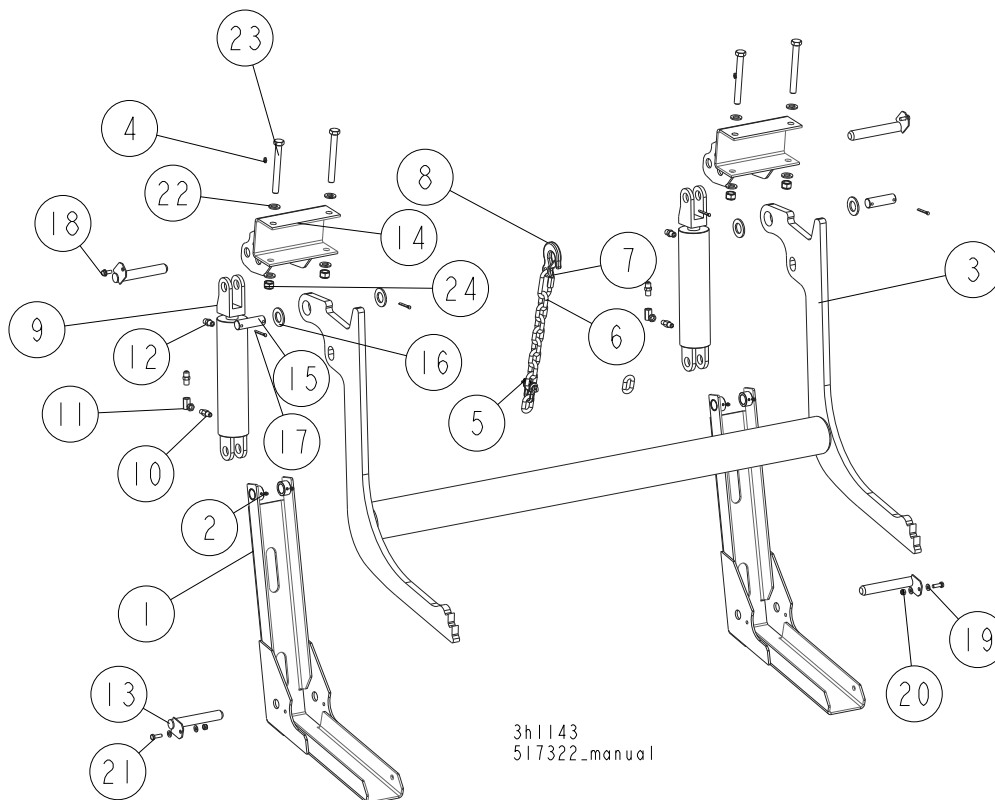
9.18 Hydraulic Log Loader



| REF. | DESCRIPTION (◆ Indicates Parts Available in Assemblies Only) | PART # | QTY |
|------|--|-----------|-----|
| | HYDRAULIC LOG LOADER - COMPLETE | 092863 | 1 |
| 1 | Bracket, Log Loader Mount | 500747-70 | 1 |
| 2 | Bolt, M16x140-8.8 Hex Head Zinc | F81006-4 | 4 |
| 3 | Washer, 17 Flat Zinc | F81058-1 | 8 |
| 4 | Nut, M16-8 Hex Nylon Zinc Lock | F81036-2 | 4 |
| 5 | Channel, Hydraulic Log Loading Foot Complete | 090049 | 2 |
| 5 | Channel, Hydraulic Log Loading Foot | 090048-1 | 2 |
| 6 | Fitting, 3/16x3/16 Straight Grease | P04107 | 6 |
| | Arm, Hydraulic Log Loading Complete | 090044 | 1 |
| 7 | Arm, Hydraulic Log Loading | 090006-1 | 1 |
| 8 | Shackle, M-D .63 | 086540 | 1 |
| 9 | Chain, Hydraulic Log Loader Safety | 090007-1 | 1 |
| 10 | Hook, 5/8 Safety Chain | P12075 | 1 |
| 11 | Pin, Turner Arm | 099127-1 | 4 |
| 12 | Screw, 5/16-18x3/4 Self-Tapping | F05015-30 | 4 |
| 13 | Cylinder Assy, Log Loading Super | 015562 | 2 |
| 14 | Fitting, 1/4NPT Velocity Fuse 5.0GPM | 015750 | 2 |
| 15 | Fitting, 1/4NPT-1/4JIC Swivel Elbow | P12199 | 2 |

| | | | | |
|-----------|---------------------------------------|-----------|---|--|
| 16 | Fitting, 3/8JIC-1/4NPT Straight | 015560 | 4 | |
| 17 | Pin, Hydraulic Cylinder Zinc-Plated | 086979-1 | 2 | |
| 18 | Washer, 28 Flat Zinc | F81061-1 | 4 | |
| 19 | Pin, 5x40 Cotter | F81043-31 | 2 | |
| 20 | Fitting, 3/8 Barb Tee | 015487 | 1 | |
| 21 | Plate, 1/4 Hose Clamp | S09245 | 6 | |
| 22 | Clamp, 3/8 Hose | 016041 | 2 | |
| 23 | Bolt, 5/16-18x1 Hex Head Zinc Grade 2 | F05006-1 | 1 | |
| 24 | Nut, 5/16-18 Self-Locking Nylon Zinc | F05010-58 | 1 | |

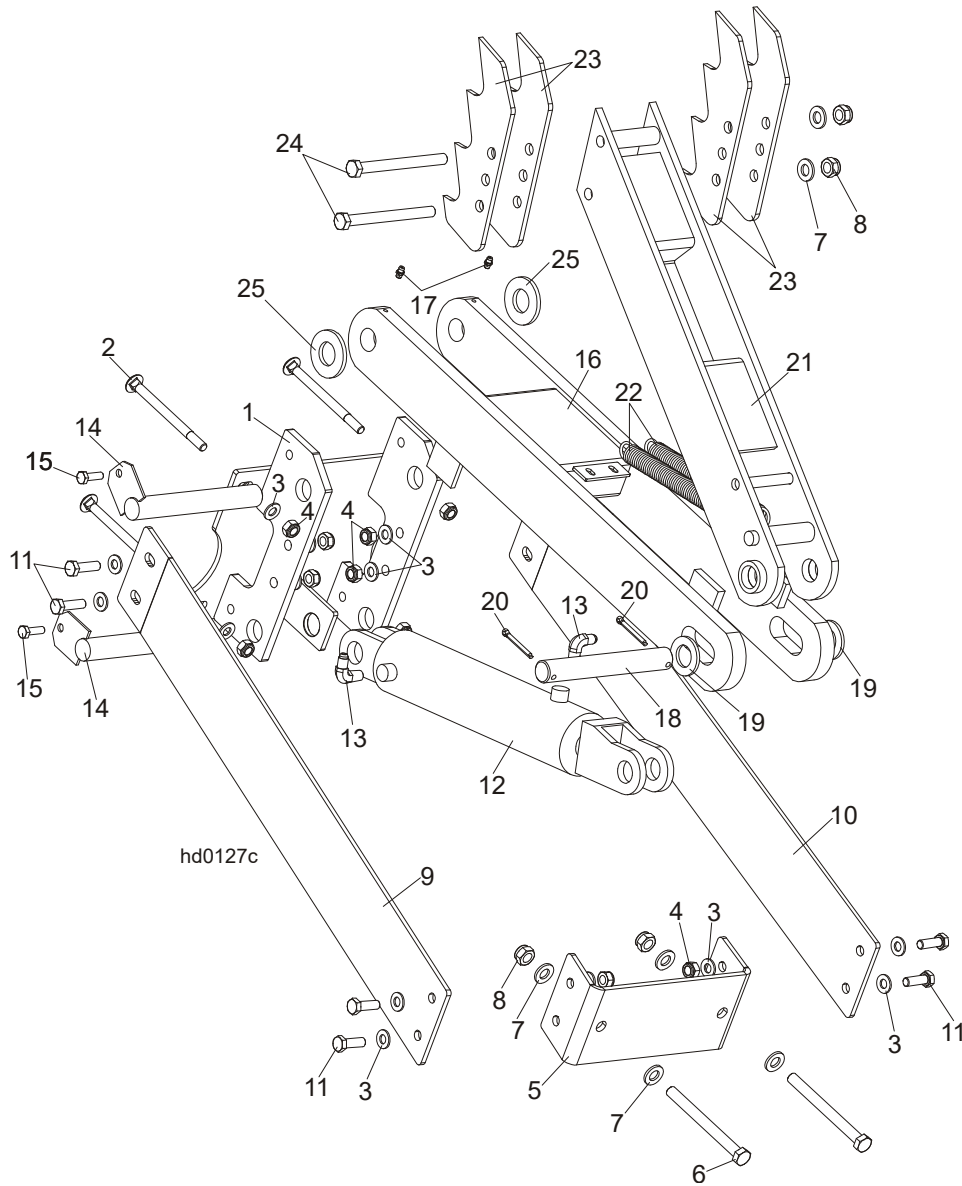
9.19 Hydraulic Log Loader for S, M and M Super Frames w/2.5 t. and 2.6 t Trailers



| REF. | DESCRIPTION (◆ Indicates Parts Available in Assemblies Only) | PART # | QTY |
|------|--|----------|-----|
| | LOG LOADER, S/M SUPER FRAME EXTENDED - COMPLETE | 517322 | 1 |
| | FOOT, EXTENDED LOG LOADER - COMPLETE | 517326 | 2 |
| 1 | FOOT, EXTENDED LOG LOADER | 517323-1 | 1 |
| 2 | FITTING, 3/16X3/16 STRAIGHT GREASE | P04107 | 2 |
| | LOG LOADER, EXTENDED - COMPLETE | 517327 | 1 |
| 3 | LOG LOADER, EXTENDED | 517329-1 | 1 |
| 4 | FITTING, 3/16X3/16 STRAIGHT GREASE | P04107 | 2 |
| 5 | SHACKLE, M12 FORM C DIN 82101 | 086540 | 1 |
| | CHAIN, EXTENDED LOADER TRANSPORT - COMPLETE | 517332 | 1 |
| 6 | CHAIN, N-10X35 8-LINK | 517333-1 | 1 |
| 7 | CARABINER 10 | 100767 | 1 |
| 8 | HOOK, 5/8 SAFETY CHAIN | P12075 | 1 |
| | CYLINDER ASSY, LOG LOADING SUPER | 015562 | 2 |
| 9 | CYLINDER, CJ-S95-16-70/32/203 HYDRAULIC | 088680 | 1 |
| 10 | FITTING, 1/4NPT VELOCITY FUSE 5.0GPM | 015750 | 1 |
| 11 | FITTING, 1/4NPT-1/4JIC SWIVEL ELBOW | P12199 | 1 |
| 12 | FITTING, 3/8JIC-1/4NPT STRAIGHT | 015560 | 2 |
| 13 | PIN WELDMENT, 25.4x158 LOADER ZINC-PLATED | 099127-1 | 4 |

| REF. | DESCRIPTION (◆ Indicates Parts Available in Assemblies Only) | PART # | QTY | |
|------|--|-----------|-----|--|
| 14 | BRACKET, LOG LOADER (M SUPER FRAME) | 500747-1 | 2 | |
| 15 | PIN, 25.4x84 ZINC-PLATED | 086979-1 | 2 | |
| 16 | WASHER, 28 FLAT ZINC | F81061-1 | 4 | |
| 17 | PIN, S-Zn 5x40 COTTER | F81043-31 | 4 | |
| 18 | BOLT, 5/16-18 x 3/4 SELF-TAPPING | F05015-30 | 2 | |
| 19 | WASHER, 8.4 FLAT ZINC | F81054-1 | 4 | |
| 20 | NUT, M8-8-B HEX NYLON ZINC LOCK | F81032-2 | 2 | |
| 21 | BOLT, M8x25-8.8-B HEX HEAD FULL THREAD ZINC | F81002-5 | 2 | |
| 22 | WASHER, 17 FLAT ZINC | F81058-1 | 8 | |
| 23 | BOLT, M16x140-8.8 HEX HEAD ZINC | F81006-4 | 4 | |
| 24 | NUT, M16-8 HEX NYLON ZINC LOCK | F81036-2 | 4 | |

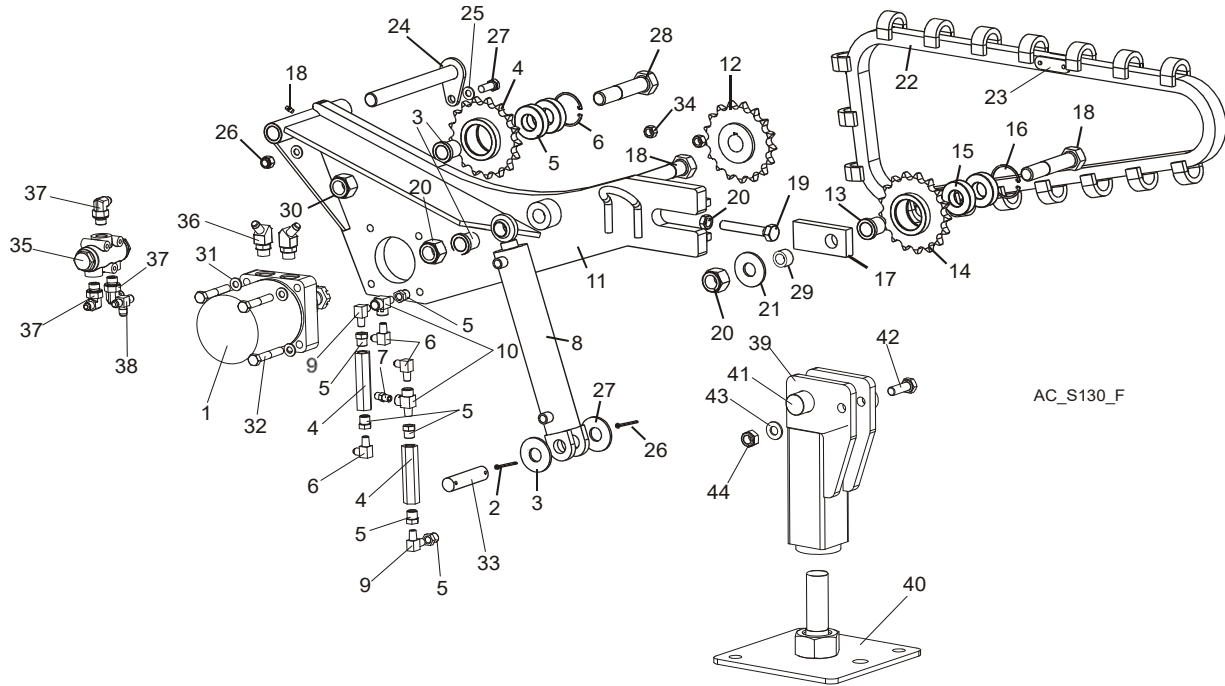
9.20 Hydraulic Log Turner



| REF. | DESCRIPTION (◆ Indicates Parts Available in Assemblies Only) | PART # | QTY |
|------|--|-----------|-----|
| | TURNER, HYDRAULIC LOG (FOR SHORT FRAMES) | 088711 | 1 |
| 1 | Bracket, Hydraulic Log Turner Mount | 528364-1 | 1 |
| 2 | Bolt, M10x125 8.8 Carriage Zinc | F81003-34 | 4 |
| 3 | Washer, 10.5 Flat Zinc | F81055-1 | 20 |
| 4 | Nut, M10-8-B Hex Nylon Zinc Lock | F81033-1 | 12 |
| 5 | Bracket, Log Turner Front | 091046-1 | 1 |
| 6 | Bolt, M12x130-8.8 Hex Head Zinc | F81004-36 | 2 |
| 7 | Washer, 13 Flat Zinc | F81056-1 | 6 |
| 8 | Nut, M12-8 Hex Nylon Zinc Lock | F81034-2 | 4 |
| 9 | Plate, Hydraulic Log Turner Left | 091048-1 | 1 |
| 10 | Plate, Hydraulic Log Turner Right | 091049-1 | 1 |

| | | | | |
|-----------|---|-----------|---|---|
| 11 | Bolt, M10x30-5.8 Hex Head Full Thread Zinc | F81003-2 | 8 | |
| | Cylinder Assembly, Log Turner Super | 015563 | 1 | |
| 12 | Cylinder, CJ-S305-16-63/28/203 Hydraulic | 088679 | 1 | ◆ |
| 13 | Fitting, 1/4NPTx1/4JIC Male Elbow | P09142 | 2 | |
| 14 | Pin Weldment, 25x180 Zinc-Plated | 088667-1 | 2 | |
| 15 | Bolt, M8X25-8.8-B Hex Head Full Thread Zinc | F81002-5 | 2 | |
| 16 | Arm, Hydraulic Log Turner Link | 088060-1 | 1 | |
| 17 | Fitting, M6 Grease | 086280 | 2 | |
| 18 | Pin, 25X185 | 088664 | 1 | |
| 19 | Washer, 25 Flat Zinc | F81061-3 | 2 | |
| 20 | Pin, S-Zn 5x40 Cotter | F81043-31 | 2 | |
| 21 | Arm, Hydraulic Log Turner | 088067-1 | 1 | |
| 22 | Spring, 1 1/16x8x.135 Dia. | 015718 | 2 | |
| 23 | Claw, Hydraulic Log Turner | 088082-1 | 4 | |
| 24 | Bolt, M12x130-8.8 Hex Head Zinc | F81004-36 | 2 | |
| 25 | Washer, GTM-2644-015 | 093359 | 2 | |

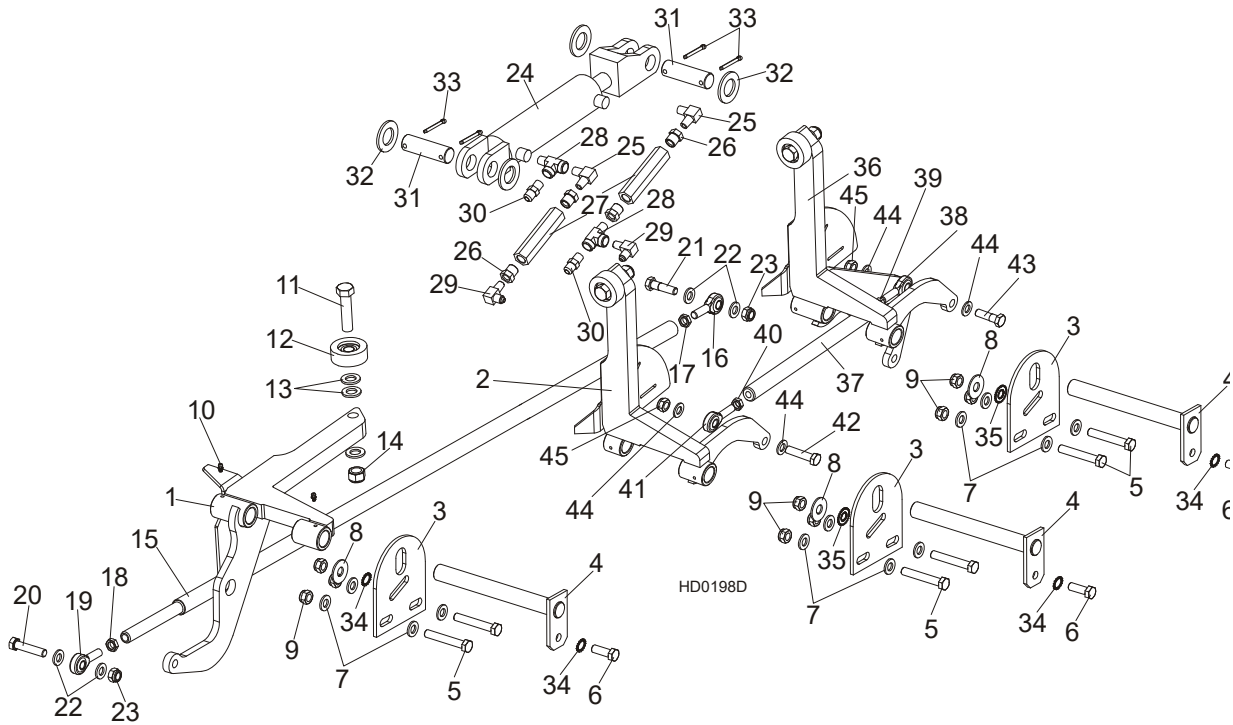
9.21 Hydraulic Log Turner (LT20 Super, Remote)



| REF. | DESCRIPTION (◆ Indicates Parts Available in Assemblies Only) | PART # | QTY |
|------|--|---------------|----------|
| | TURNER, LOG CHAIN - COMPLETE | 505614 | 1 |
| 1 | MOTOR, TG0475US080AABP HYDRAULIC | 007331 | 1 |
| 2 | PIN, S-Fe 5x40 COTTER | F81043-31 | 2 |
| 3 | WASHER, 28 FLAT ZINC | F81061-1 | 2 |
| | CYLINDER ASSEMBLY, CHAIN TURNER | 515892 | 1 |
| 4 | VALVE, SIDE SUPPORT SEQUENCE | 015484 | 2 |
| 5 | FITTING, 3/8" NPT X 1/4" NPT REDUCER | 015490 | 6 |
| 6 | FITTING, 3/8JIC-1/4NPT 90L | 015491 | 3 |
| 7 | FITTING, 3/8JIC-1/4NPT STRAIGHT | 015560 | 1 |
| 8 | CYLINDER, 2X10 ROD END WELDED 16" | 034267 | 1 |
| 9 | FITTING, 1/4NPT MALE PIPE ELBOW | P09140 | 2 |
| 10 | FITTING, 1/4NPT BRANCH TEE | 015486 | 2 |
| | TURNER, CHAIN METRIC | 095660 | 1 |
| 11 | PLATE WELDMENT, CHAIN LOG TURNER | 095662-1 | 1 |
| 12 | SPROCKET, LOG TURNER | 092339 | 1 |
| 13 | BUSHING, LOG TURNER | 095663-1 | 3 |
| | SPROCKET ASSEMBLY, LOG TURNER | 092399 | 2 |
| 14 | SPROCKET W/HUB | 093290 | 1 |
| 15 | BEARING, 6206 25 | 093292 | 2 |
| 16 | RING, W62 INSIDE RETAINING | F81090-1 | 1 |
| 17 | PLATE, CHAIN TENSION | 095664-1 | 1 |
| 18 | FITTING, M6 TYPE A STRAIGHT GREASE | 086280 | 1 |
| 19 | BOLT, M16x100-8.8 HEX HEAD FULL THREAD ZINC | F81006-2 | 1 |
| 20 | NUT, M16-5.8 HEX ZINC | F81036-1 | 1 |
| 21 | WASHER, 25x63 ZINC-PLATED | 088585-1 | 1 |
| 22 | CHAIN, LOG TURNER | 093423 | 1 |

| | | | | |
|----|--|---------------|----------|--|
| 23 | LINK, MASTER (CHAIN NO. 093423) | 093427 | 1 | |
| 24 | PIN WELDMENT, TURNER MOUNT - COMPLETE | 095666-1 | 1 | |
| 25 | WASHER, 10.5 FLAT ZINC | F81055-1 | 2 | |
| 26 | NUT, M10-8-B HEX NYLON ZINC LOCK | F81033-1 | 1 | |
| 27 | BOLT, M10x35-8.8 HEX HEAD FULL THREAD ZINC | F81003-17 | 1 | |
| 28 | BOLT, M24x120-8.8 - PN-EN 24014 HEX HEAD | F81009-4 | 3 | |
| 29 | BUSHING, CHAIN TURNER | 095643-1 | 1 | |
| 30 | NUT, M24-8-A HEX NYLON ZINC LOCK | F81039-8 | 3 | |
| 31 | WASHER, Z12.2 SPLIT LOCK ZINC | F81056-2 | 4 | |
| 32 | BOLT, M12x75-8.8 HEX HEAD ZINC | F81004-21 | 4 | |
| 33 | PIN, HYDRAULIC CYLINDER ZINC-PLATED | 086979-1 | 1 | |
| 34 | NUT, M12-8-B HEX ZINC | F81034-1 | 4 | |
| | OIL FLOW DIVIDER W/FITTINGS | 094383 | 1 | |
| 35 | DIVIDER, MTD A 08-016M 1/2 / 1/2 OIL FLOW | 088191 | 1 | |
| 36 | FITTING, #10SAE-3/8JIC 45 ELBOW | 034538 | 2 | |
| 37 | FITTING, 90 18X1.5 9/16-18 JIC ELBOW | 089992 | 3 | |
| 38 | FITTING, 3/8JIC TEE | 015487 | 1 | |
| | SUPPORT, LOG TURNER - COMPLETE | 099975 | 1 | |
| 39 | .TURNER SUPPORT UPPER PART | 099932-1 | 1 | |
| 40 | TURNER SUPPORT LOWER PART (ZINC-PLATED) | 099969-1 | 1 | |
| 41 | PIN WELDMENT, TURNER SUPPORT MOUNT (ZINC-PLATED) | 099970-1 | 1 | |
| 42 | BOLT, M10x30-5.8 HEX HEAD FULL THREAD ZINC | F81003-2 | 1 | |
| 43 | WASHER, 10.5 FLAT ZINC | F81055-1 | 1 | |
| 44 | NUT, M10-8-B HEX NYLON ZINC LOCK | F81033-1 | 1 | |

9.22 Hydraulic Log Side Support

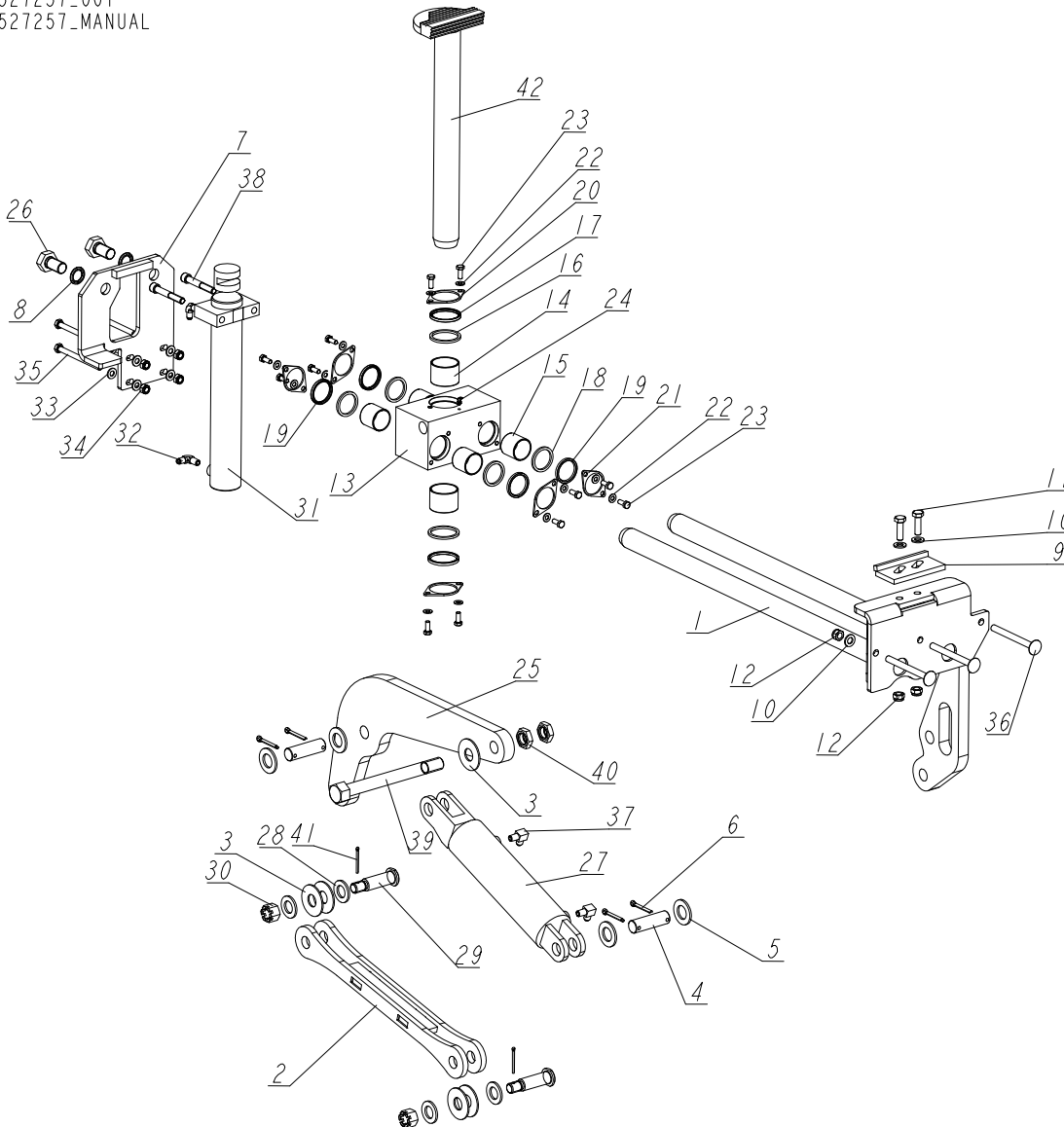


| REF. | DESCRIPTION (◆ Indicates Parts Available in Assemblies Only) | PART # | QTY |
|------|--|---------------|----------|
| | SUPPORT KIT, S/M FRAME LOG SIDE | 507644 | 1 |
| 1 | SUPPORT, HYDRAULIC LOG SIDE W/GUARD | 099788-1 | 1 |
| 2 | SUPPORT, LOG SIDE W/GUARD | 507646-1 | 1 |
| 3 | PLATE, LOG SIDE SUPPORT END | 091591-1 | 3 |
| 4 | PIN, LOG SIDE SUPPORT ZINC-PLATED | 091549-1 | 3 |
| 5 | BOLT, M12x75-8.8 HEX HEAD ZINC | F81004-21 | 6 |
| 6 | BOLT, M12x35-8.8 HEX HEAD FULL THREAD ZINC | F81004-24 | 3 |
| 7 | WASHER, 13 FLAT ZINC | F81056-1 | 12 |
| 8 | WASHER, 15 SPECIAL FLAT ZINC | F81057-3 | 3 |
| 9 | NUT, M12-8 HEX NYLON ZINC LOCK | F81034-2 | 9 |
| 10 | FITTING, 3/16X3/16 STRAIGHT GREASE | P04107 | 6 |
| 11 | BOLT, M16X65-8.8-B HEX HEAD FULL THREAD ZINC | F81006-1 | 3 |
| 12 | ROLLER ASSEMBLY, SIDE SUPPORT | 015014-1 | 3 |
| 13 | WASHER, 17 FLAT ZINC | F81058-1 | 9 |
| 14 | NUT, M16-8 HEX NYLON ZINC LOCK | F81036-2 | 3 |
| | ROD, SIDE SUPPORT LINK COMPLETE (L=1480) | 091640 | 1 |
| 15 | ROD, SIDE SUPPORT LINK ZINC-PLATED (L=1420) | 089374-1 | 1 |
| 16 | ROD END, LEFT | 087036 | 1 |
| 17 | NUT, M12-04-A RIGHT HEX THIN | F81034-6 | 1 |
| 18 | NUT, M12-04-A LEFT HEX THIN | F81034-7 | 1 |
| 19 | ROD END (RIGHT THREAD) | 087035 | 1 |
| 20 | BOLT, M12x55-8.8 HEX HEAD ZINC | F81004-12 | 1 |
| 21 | BOLT, M12X45-8.8 HEX HEAD ZINC | F81004-32 | 2 |
| 22 | WASHER, 13 FLAT ZINC | F81056-1 | 4 |

| | | | | |
|----|---|---------------|----------|--|
| 23 | NUT, M12-8 HEX NYLON ZINC LOCK | F81034-2 | 2 | |
| | CYLINDER ASSEMBLY, 2X6 SIDE SUPPORT SUPER | 015561 | 1 | |
| 24 | CYLINDER, CJ-S270-16-50/28/152 HYDRAULIC | 088678 | 1 | |
| | SEAL KIT, 2X6 HYDRAULIC SEAL | P12954 | 1 | |
| 25 | FITTING, 1/4NPT MALE PIPE ELBOW | P09140 | 2 | |
| 26 | FITTING, 3/8" NPT - 1/4" NPT REDUCER | 015490 | 4 | |
| 27 | VALVE, SIDE SUPPORT SEQUENCE | 015484 | 2 | |
| 28 | FITTING, 1/4NPT BRANCH TEE | 015486 | 2 | |
| 29 | FITTING, 3/8JIC-1/4NPT 90L | 015491 | 2 | |
| 30 | FITTING, 3/8JIC-1/4NPT STRAIGHT | 015560 | 2 | |
| 31 | PIN, HYDRAULIC CYLINDER ZINC-PLATED | 086979-1 | 2 | |
| 32 | WASHER, 28 FLAT ZINC | F81061-1 | 4 | |
| 33 | PIN, 5 X 40 COTTER ZINC | F81043-31 | 4 | |
| 34 | WASHER, BN781 M12/13 EXTERNALLY SERRATED | F81056-16 | 4 | |
| 35 | WASHER, BN783 M12/12.3/30.3 SERRATED | F81056-17 | 2 | |
| 36 | SUPPORT, LOG SIDE W/GUARD 2 | 507645-1 | 1 | |
| | PUSHER, SIDE SUPPORT - SHORT (L-380) | 507647 | 1 | |
| 37 | PUSHER, SIDE SUPPORT (L-320) | 505439-1 | 1 | |
| 38 | END, SAL12 ROD LEFT THREAD | 087036 | 1 | |
| 39 | NUT, M12-04-A RIGHT HEX THIN | F81034-6 | 1 | |
| 40 | NUT, M12-04-A LEFT HEX THIN | F81034-7 | 1 | |
| 41 | ROD END (RIGHT THREAD) | 087035 | 1 | |
| 42 | BOLT, M12x55-8.8 HEX HEAD ZINC | F81004-12 | 1 | |
| 43 | BOLT, M12X45-8.8 HEX HEAD ZINC | F81004-32 | 1 | |
| 44 | WASHER, 13 FLAT ZINC | F81056-1 | 4 | |
| 45 | NUT, M12-8 HEX NYLON ZINC LOCK | F81034-2 | 2 | |

9.23 Main Hydraulic Log Clamp (2 Rods)

527257_001
527257_MANUAL



| REF. | DESCRIPTION (◆ Indicates Parts Available In Assemblies Only) | PART # | QTY |
|------|--|----------|-----|
| - | CLAMP, MAIN HYDRAULIC - 2 RODS | 527257 | 1 |
| 1 | ROD WELDMENT, MAIN HYDRAULIC CLAMP | 525107-1 | 1 |
| 2 | ARM WELDMENT, HYDRAULIC CLAMP LINK | 086963-1 | 1 |
| 3 | WASHER, 25X63 | 088585-1 | 5 |
| 4 | PIN, HYDRAULIC CYLINDER ZINC-PLATED | 086979-1 | 2 |
| 5 | WASHER, 28 FLAT ZINC | F81061-1 | 4 |
| 6 | PIN, S-ZN-6.3X45 COTTER | F81045-2 | 4 |
| 7 | PLATE, MOUNT (LOG CLAMP W/2 RODS) | 527258-1 | 1 |
| 8 | WASHER, Z 22.5 SPLIT LOCK ZINC | F81059-4 | 2 |
| 9 | STOP WELDMENT, HYDRAULIC LOG CLAMP | 086980-1 | 1 |
| 10 | WASHER, 13 FLAT ZINC | F81056-1 | 5 |
| 11 | BOLT, M12X40-8.8 HEX HEAD FULL THREAD ZINC | F81004-4 | 2 |
| 12 | NUT, M12 8 HEX NYLON ZINC LOCK | F81034-2 | 5 |

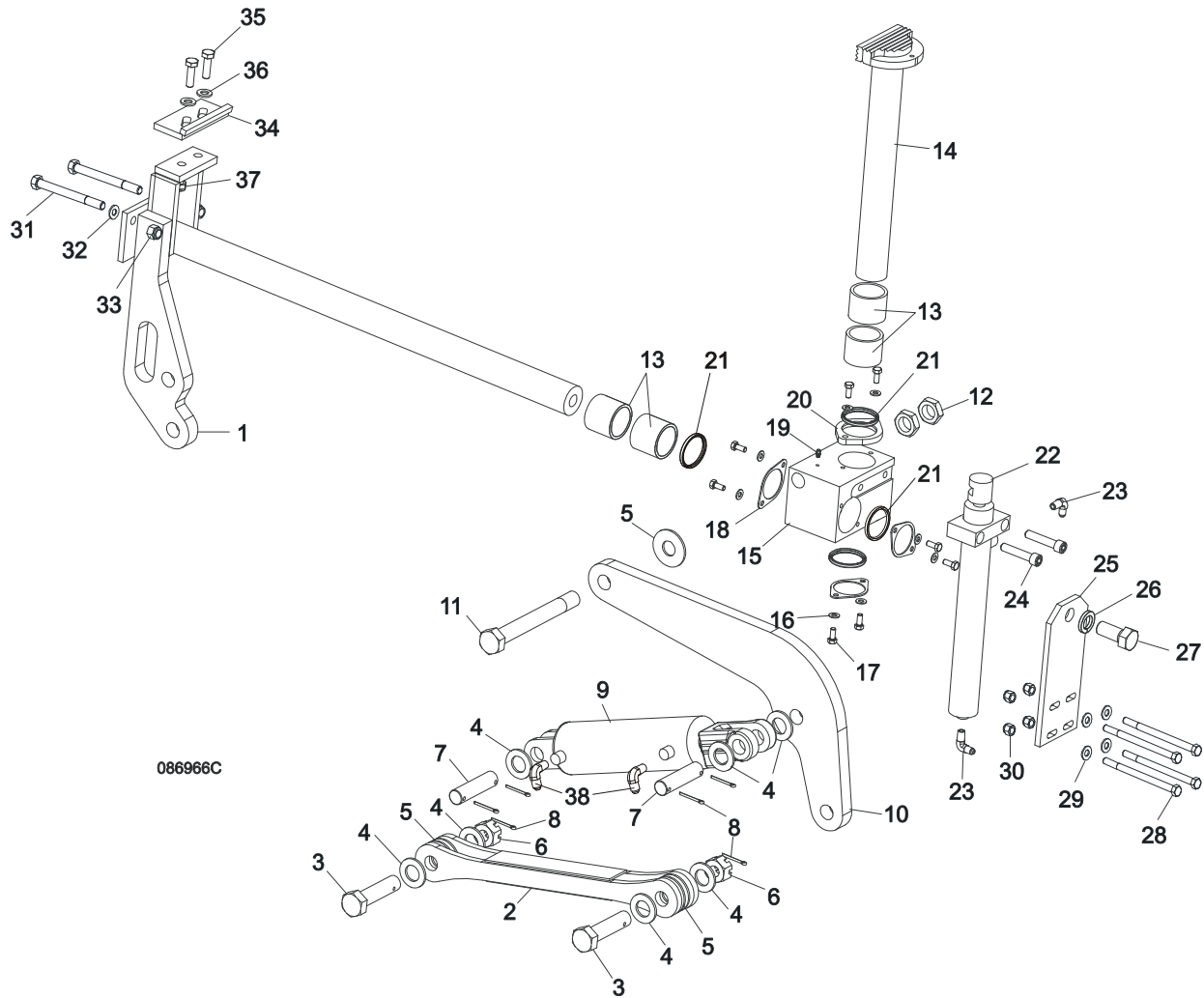
HYDRAULIC SYSTEM

Main Hydraulic Log Clamp (2 Rods)

9

| REF. | DESCRIPTION (◆ Indicates Parts Available In Assemblies Only) | PART # | QTY |
|------|--|-----------|-----|
| - | BLOCK, STEEL W/BUSHINGS - COMPLETE | 521951 | 1 |
| - | BLOCK, STEEL W/BUSHINGS | 521950-1 | 1 |
| 13 | BLOCK, STEEL | 521937 | 1 |
| 14 | BUSHING, 5040BS SELF-LUBRICATING | 088660 | 2 |
| 15 | BUSHING, 4040BS SELF-LUBRICATING | 525077 | 4 |
| 16 | WASHER, 51/60-4 | 526163 | 2 |
| 17 | WIPER, ZZ 50X60X7 LOG CLAMP ROD | 088587 | 2 |
| 18 | WASHER, WIPER - WIDE | 525080 | 4 |
| 19 | WIPER, ZZ-40X50X5/7 | 525079 | 4 |
| 20 | FLANGE, CLAMP ROD WIPER | 088887-1 | 2 |
| 21 | FLANGE, WIPER | 525081-1 | 4 |
| 22 | WASHER, 8.4 FLAT ZINC | F81054-1 | 12 |
| 23 | BOLT, M8X20 8.8 HEX HEAD FULL THREAD ZINC | F81002-4 | 12 |
| 24 | FITTING, 3/16X3/16 STRAIGHT GREASE | P04107 | 1 |
| 25 | ARM, HYDRAULIC LOG CLAMP LINK | 086974-1 | 1 |
| 26 | BOLT, M22X1.5X40-8.8-B HEX HEAD FULL THREAD ZINC | F81009-1 | 2 |
| 27 | CYLINDER, CJ-S96-16-70/32/178 HYDRAULIC | 088589 | 1 |
| 28 | WASHER, 25 FLAT ZINC | F81061-3 | 4 |
| 29 | PIN, B 24X95/85 CLEVIS ZINC | F81049-2 | 2 |
| 30 | NUT, Z M20-8-B SLOTTED CASTLE ZINC | F81037-3 | 2 |
| 31 | CYLINDER, CJ-S582-16-50/35/300 | 711617 | 1 |
| 32 | FITTING, 1/4NPTX1/4JIC MALE ELBOW | P09142 | 2 |
| 33 | WASHER, 10.5 FLAT ZINC | F81055-1 | 8 |
| 34 | NUT, M10-8-B HEX NYLON ZINC LOCK | F81033-1 | 4 |
| 35 | BOLT, M10X125 8.8 HEX HEAD ZINC | F81003-18 | 4 |
| 36 | BOLT, M12X130 8.8 CARRIAGE ZINC | F81004-26 | 3 |
| 37 | FITTING, 3/8JIC-1/4NPT 90L | 015491 | 2 |
| 38 | SCREW, M12X80-8.8 HEX SOCKET HEAD CAP ZINC | F81004-20 | 2 |
| 39 | BOLT M24X240-8.8-B-FE/ZN5 - HEX HEAD ZINC | F81009-17 | 1 |
| 40 | NUT, M24-04-B HEX THIN ZINC | F81039-3 | 2 |
| 41 | PIN, S-ZN-4X45 COTTER | F81043-22 | 2 |
| 42 | ROD ASSEMBLY, VERTICAL | 710735-1 | 1 |

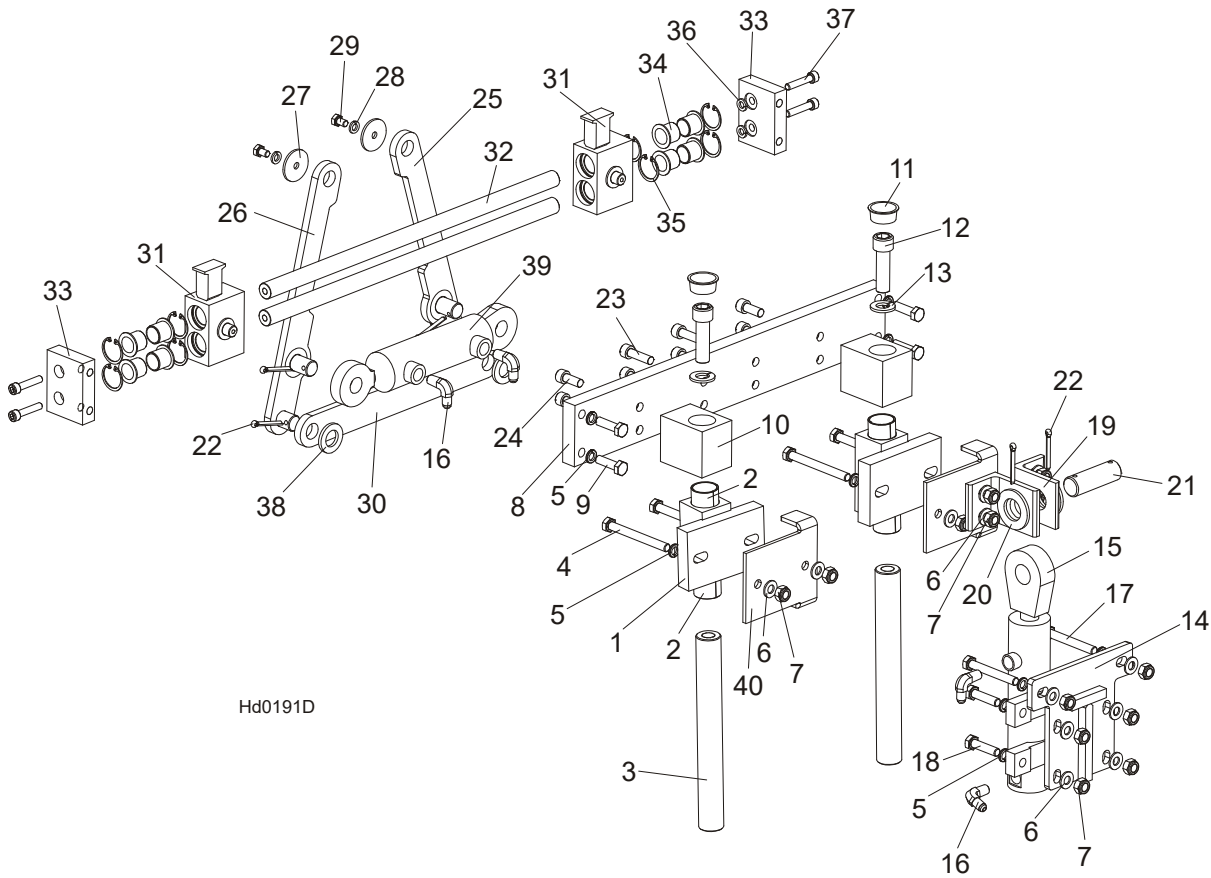
9.24 Hydraulic Log Clamp - Main



| REF. | DESCRIPTION (◆ Indicates Parts Available In Assemblies Only) | PART # | QTY |
|------|--|----------|-----|
| | LOG CLAMP ASSEMBLY, TWO-PLANE | 088658 | 1 |
| 1 | Rod Weldment, Log Clamp Slide | 086967-1 | 1 |
| 2 | Arm Weldment, Hydraulic Clamp Link | 086963-1 | 1 |
| 3 | Pin, B 24x95/85 Clevis Zinc | F81049-2 | 1 |
| 4 | Washer, 25 Flat Zinc | F81061-3 | 8 |
| 5 | Washer, 25x63 Zinc-Plated | 088585-1 | 5 |
| 6 | Nut, M20-8-3 Hex Slotted Castle Zinc | F81037-3 | 2 |
| 7 | Pin, Hydraulic Cylinder Zinc-Plated | 086979-1 | 2 |
| 8 | Pin, S-Zn 6,3x45 Cotter | F81045-2 | 6 |
| 9 | Cylinder, CJ-S96-16-70/32/178 Hydraulic | 088589 | 1 |
| 10 | Arm, Hydraulic Log Clamp Link | 086974-1 | 1 |
| 11 | Bolt, M24x217/39 -8.8-B Hex Head Zinc | 088586-1 | 1 |
| 12 | Nut, M24 -04-B Hex Thin Zinc | F81039-3 | 2 |
| 13 | Bushing, 5040BS Self-Lubricating | 088660 | 2 |
| 14 | Rod Weldment, Log Clamp Vertical | 088582-1 | 1 |

| | | | | |
|----|--|-----------|---|--|
| 15 | Block, Log Clamp Painted Steel | 088591-1 | 1 | |
| 16 | Washer, 8.4 Flat Zinc | F81054-1 | 8 | |
| 17 | Bolt, M8x20-8.8-B Hex Head Full Thread Zinc | F81002-4 | 8 | |
| 18 | Flange, Clamp Rod Wiper | 088887-1 | 3 | |
| 19 | Fitting, 3/16" Straight Grease | P04107 | 1 | |
| 20 | Flange, Clamp Rod Wiper | 088887-1 | 1 | |
| 21 | Wiper, ZZ 50x60x7 INCO Log Clamp Rod | 088587 | 1 | |
| 22 | Cylinder, CJ-S169-16-40/22/254 Hydraulic | 088590 | 1 | |
| 23 | Fitting, 1/4" NPT - 1/4" JIC Male Elbow | P09142 | 2 | |
| 24 | Screw, M12x55 -8.8-B Hex Socket Head Cap Zinc | F81004-23 | 2 | |
| 25 | Plate, Log Clamp Mount | 086975-1 | 1 | |
| 26 | Washer, Z 22.5 Split Lock Zinc | F81059-4 | 1 | |
| 27 | Bolt, M22x1.5x40-8.8-B Hex Head Full Thread Zinc | F81009-1 | 1 | |
| 28 | Bolt, M10x125-8.8 Hex Head Zinc | F81003-18 | 4 | |
| 29 | Washer, 10.5 Flat Zinc | F81055-1 | 8 | |
| 30 | Nut, M10-8-B Hex Nylon Zinc Lock | F81033-1 | 4 | |
| 31 | Bolt, M12x130-8.8 Hex Head Zinc | F81004-36 | 2 | |
| 32 | Washer, 13 Flat Zinc | F81056-1 | 2 | |
| 33 | Nut, M12-8-B Hex Zinc | F81034-1 | 2 | |
| | STOP ASSEMBLY, LOG CLAMP | K09485 | 1 | |
| 34 | Stop Weldment, Hydraulic Log Clamp | 086980-1 | 1 | |
| 35 | Bolt, M12 x 40-8.8 Hex Head Full Thread Zinc | F81004-4 | 2 | |
| 36 | Washer, 13 Flat Zinc | F81056-1 | 2 | |
| 37 | Nut, M12-8 Hex Nylon Zinc Lock | F81034-2 | 4 | |
| 38 | FITTING, 3/8" JIC - 1/4" NPT 90L ELBOW | 015491 | 1 | |

9.25 Hydraulic Pull-Down Clamp

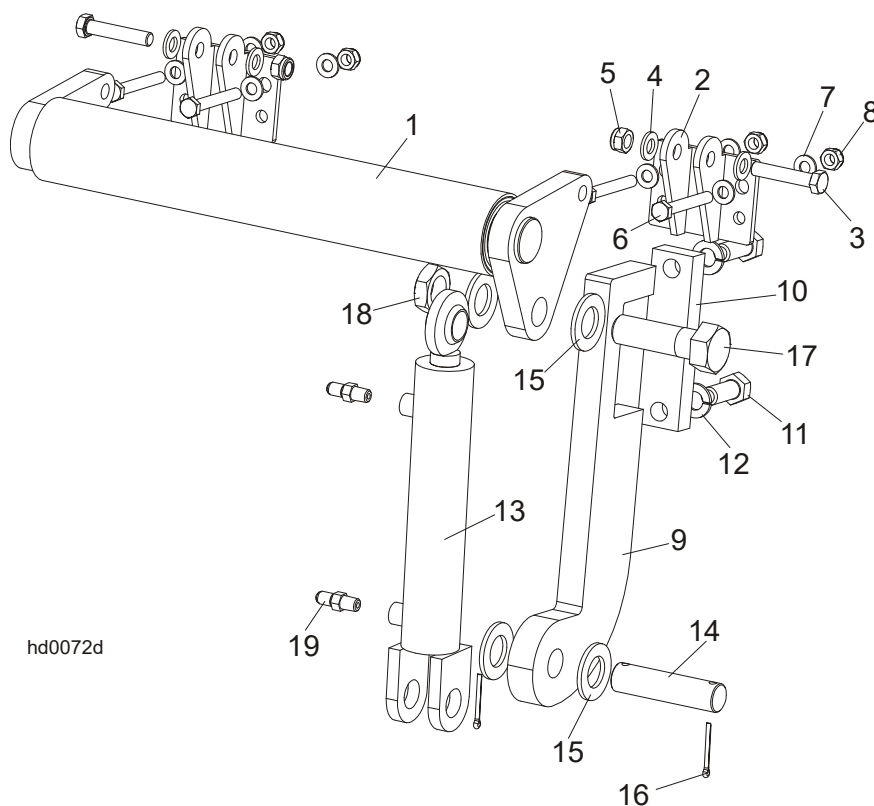


Hd0191D

| REF. | DESCRIPTION (◆ Indicates Parts Available in Assemblies Only) | PART # | QTY |
|------|--|-----------|-----|
| | CLAMP ASSEMBLY, LEFT HYDRAULIC LOG | 094129 | 1 |
| 1 | Block Weldment, Log Clamp Up/Down | 090545-1 | 2 |
| 2 | Bushing, 3040BS Self-Lubricating | 088676 | 4 |
| 3 | Pin, Log Clamp Up/Down | 088631 | 2 |
| 4 | Bolt, M10x95-8.8-B Hex Head Zinc | F81003-71 | 4 |
| 5 | Washer, 10.2 Split Lock Zinc | F81055-2 | 14 |
| 6 | Washer, 10.5 Flat Zinc | F81055-1 | 14 |
| 7 | Nut, M10-8-B Hex Nylon Zinc Lock | F81033-1 | 14 |
| 8 | Beam, Log Clamp Main Zinc-Plated | 094115-1 | 1 |
| 9 | Bolt, M10x35-8.8 Hex Head Full Thread Zinc | F81003-17 | 4 |
| 10 | Block, Log Clamp Up/Down | 094124-1 | 2 |
| 11 | Plug, M33 Thread #12428 | 089839 | 2 |
| 12 | Screw, M16x55-8.8 Hex Socket Head Cap Zinc | F81006-18 | 2 |
| 13 | Washer, 16.3 Split Lock Zinc | F81058-2 | 2 |
| 14 | Plate Weldment, Hydraulic Cylinder Mounting | 094094-1 | 1 |
| 15 | Cylinder, CJ7F-16/40/22 + UE2-40W Hydraulic | 091346 | 1 |
| 16 | Fitting, 1/4NPTx1/4JIC Male Elbow | P09142 | 2 |
| 17 | Bolt, M10x75-8.8 Hex Head Zinc | F81003-15 | 2 |

| | | | | |
|-----------|---|-----------|---|--|
| 18 | Bolt, M10x40-8.8 Hex Head Full Thread Zinc | F81003-16 | 4 | |
| 19 | Angle, Log Clamp Bracket | 094127-1 | 2 | |
| 20 | Washer, 28 Flat Zinc | F81061-1 | 2 | |
| 21 | Pin, 25X75 Zinc-Plated | 088659-1 | 1 | |
| 22 | Pin, S-Zn 5x40 Cotter | F81043-31 | 4 | |
| 23 | Screw, M10x35 8.8 Hex Socket Head Cap Zinc | F81003-56 | 4 | |
| 24 | Screw, M10x25 8.8 Hex Socket Head Cap Zinc | F81003-32 | 4 | |
| 25 | Link, Log Clamp In/Out Side Zinc-plated (1) | 094097-1 | 1 | |
| 26 | Link, Log Clamp In/Out Side Zinc-plated (2) | 094099-1 | 1 | |
| 27 | Washer, Zinc-Plated Spacer | 094128-1 | 1 | |
| 28 | Washer, 8.2 Split Lock Zinc | F81054-4 | 2 | |
| 29 | Bolt, M8x12-8.8 Hex Head Full Thread Zinc | F81002-6 | 2 | |
| 30 | Arm, Log Clamp In/Out Zinc-Plated | 094092-1 | 1 | |
| 31 | Jaw Weldment, Log Clamp Zinc-Plated | 094120-1 | 2 | |
| 32 | Rod, Log Clamp Jaw Guide | 094116 | 2 | |
| 33 | Plate, Locking Zinc-Plated | 094117-1 | 2 | |
| 34 | Bushing, JFM-2023-21 Flanged | 094113 | 8 | |
| 35 | Ring, W31 Inside Retaining | F81090-15 | 8 | |
| 36 | Washer, 8.2 Split Lock Zinc | F81054-4 | 4 | |
| 37 | Screw, M8x40-8.8 Hex Socket Head Cap Zinc | F81002-29 | 4 | |
| 38 | Washer, 21 Flat Zinc | F81059-2 | 2 | |
| 39 | Cylinder, SJ2F-16-40/22/80 Hydraulic | 093880 | 1 | |
| 40 | Bracket, Log Clamp Mount | 094098-1 | 2 | |

9.26 Hydraulic Toe Board

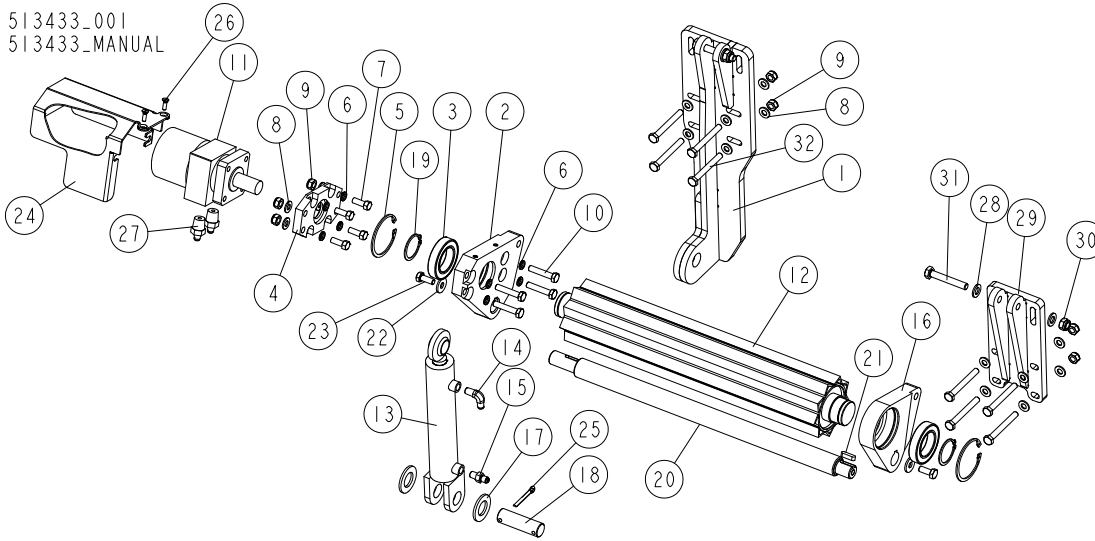


hd0072d

| REF. | DESCRIPTION (◆ Indicates Parts Available in Assemblies Only) | PART # | QTY |
|------|--|------------|-----|
| | FRONT HYDRAULIC TOE BOARD | 092613 | 1 |
| | REAR HYDRAULIC TOE BOARD | 092634 | 1 |
| 1 | Toe Board Weldment, Front Hydraulic | 092612-1 | 1 |
| | Toe Board Weldment, Rear Hydraulic | 086253-1 | 1 |
| 2 | Bracket, Toe Board Roller Mount | 087903-1 | 4 |
| 3 | Bolt, M12x60-8.8 Hex Head Zinc | F81004-5 | 4 |
| 4 | Washer, 13 Flat Zinc | F81056-1 | 8 |
| 5 | Nut, M12-8 Hex Nylon Zinc Lock | F81034-2 | 4 |
| 6 | Bolt, M10x75-8.8 Hex Head Zinc | F81003-15 | 8 |
| 7 | Washer, 10.5 Flat Zinc | F81055-1 | 16 |
| 8 | Nut, M10-8-B Hex Nylon Zinc Lock | F81033-1 | 8 |
| 9 | Bracket, Toe Board Cylinder Mount | 087729-1 | 2 |
| 10 | Plate, Toe Board Cylinder Mount | 090086-1 | 2 |
| 11 | Bolt, M16x40-8.8 Hex Head Full Thread Zinc | F81006-13 | 4 |
| 12 | Washer, 16.3 Split Lock Zinc | F81058-2 | 4 |
| 13 | Cylinder, CJ-S170-16-40/25/152 Hydraulic | 088681 | 2 |
| 14 | Pin, Hydraulic Cylinder Zinc-Plated | 086979-1 | 2 |
| 15 | Washer, 28 Flat Zinc | F81061-1 | 8 |
| 16 | Pin, 3/16x1 1/2 Cotter | F05012-23 | 4 |
| 17 | Bolt, 1-8x3 1/4 Hex Head Grade 5 | F05009-51 | 2 |
| 18 | Nut, 1-14 Hex Jam Unplated | F05010-117 | 2 |

| | | | | |
|-----------|-----------------------------|--------|---|--|
| 19 | Fitting, 1/4NPTx1/4JIC Male | P09143 | 4 | |
|-----------|-----------------------------|--------|---|--|

9.28 Driven Log Levelling Roller (mounted on lower bed rail)



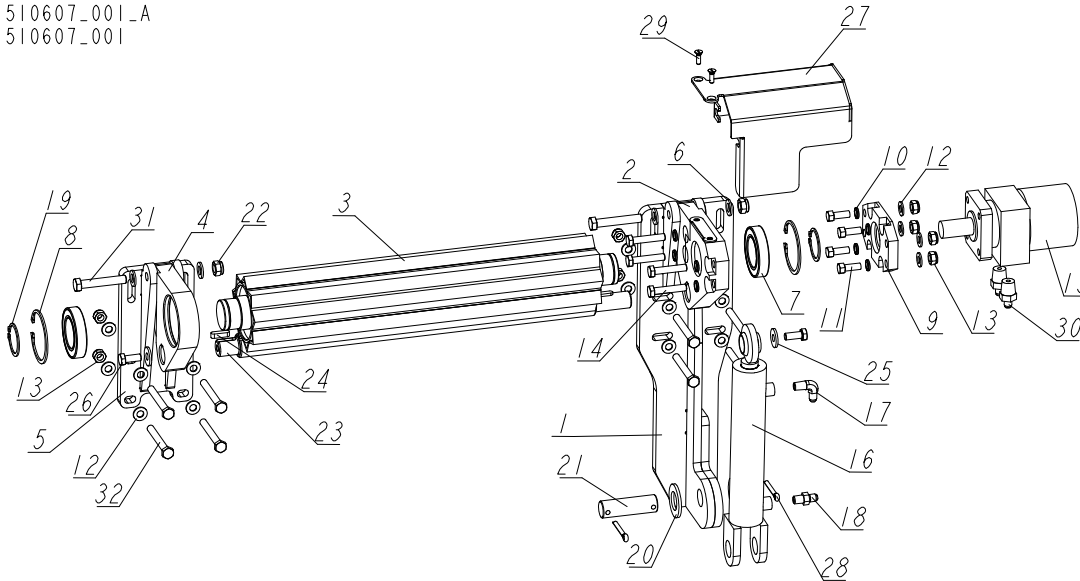
| REF. | DESCRIPTION (* Indicates Parts Available in Assemblies Only) | PART # | QTY |
|------|--|-----------|-----|
| - | ROLLER, DRIVEN LOG LEVELLING (LOWER BED RAIL) | 513433 | 1 |
| 1 | BRACKET WELDMENT, DRIVEN LOG LEVELLING ROLLER | 510605-1 | 1 |
| 2 | BRACKET, SIDE W/HYDROMOTOR CONNECTOR | 096029-1 | 1 |
| 3 | BEARING, 6009.2RSR (FAG) | 096025 | 2 |
| 4 | PLATE, HYDRAULIC MOTOR MOUNT | 096030-1 | 1 |
| 5 | RING, W 75 INSIDE RETAINING | F81090-41 | 2 |
| 6 | WASHER, Z 10.2 SPLIT LOCK ZINC | F81055-2 | 8 |
| 7 | BOLT, 3/8-16X1 HHC | F05007-7 | 4 |
| 8 | WASHER, 10.5 FLAT ZINC | F81055-1 | 20 |
| 9 | NUT, M10-8-B HEX NYLON ZINC LOCK | F81033-1 | 12 |
| 10 | BOLT, M10X50-8.8 HEX HEAD FULL THREAD ZINC | F81003-4 | 4 |
| 11 | MOTOR, MG06-13-13AAAB HYDRAULIC | P21506 | 1 |
| 12 | ROLLER WELDMENT, DRIVEN LOG LEVELLING | 096028-1 | 1 |
| - | CYLINDER ASSEMBLY, HYDRAULIC | 085937 | 1 |
| 13 | CYLINDER, CJ-S170-16-40/25/152 HYDRAULIC | 088681 | 1 |
| 14 | FITTING, 1/4NPTX1/4JIC MALE ELBOW | P09142 | 1 |
| 15 | FITTING, 1/4NPTX1/4JIC MALE | P09143 | 1 |
| 16 | BRACKET, SIDE | 096031-1 | 1 |
| 17 | WASHER, 28 FLAT ZINC | F81061-1 | 2 |
| 18 | PIN, HYDRAULIC CYLINDER ZINC-PLATED | 086979-1 | 1 |
| 19 | RING, Z 45 OUTSIDE RETAINING | F81090-32 | 2 |
| 20 | ROD, CONNECTION | 096034-1 | 1 |
| 21 | KEY, A8X7X28 PARALLEL | 096035 | 2 |
| 22 | WASHER, 10.5 SPECIAL FLAT ZINC | F81055-6 | 2 |
| 23 | BOLT, M10X25 8.8 HEX HEAD FULL THREAD | F81003-31 | 2 |
| 24 | GUARD, HYDRAULIC MOTOR | 096037-1 | 1 |
| 25 | PIN, S-ZN-6.3X45 COTTER | F81045-2 | 1 |
| 26 | SCREW, M6X20-5.8-B SLOTTED COUNTERSUNK HEAD ZINC | F81001-31 | 2 |
| 27 | FITTING, 1/2-14NPT/ 7/16-20UNF STRAIGHT W/MALE THREAD | 096919 | 2 |
| 28 | WASHER, 13 FLAT ZINC | F81056-1 | 4 |

9**HYDRAULIC SYSTEM***Driven Log Levelling Roller (mounted on lower bed rail)*

| REF. | DESCRIPTION (* Indicates Parts Available in Assemblies Only) | PART # | QTY | |
|------|--|------------|-----|--|
| 29 | BRACKET WELDMENT, ROLLER | 520099-1 | 1 | |
| 30 | NUT, M12 8 HEX NYLON ZINC LOCK | F81034-2 | 2 | |
| 31 | BOLT, M12X75-8.8 HEX HEAD FULL THREAD ZINC | F81004-10 | 2 | |
| 32 | BOLT, M10X85-8.8 HEX HEAD ZINC | F81003-125 | 8 | |

9.29 Driven Log Levelling Roller, Lower Bed Rail (Option)

510607-001-A
510607-001



| REF. | DESCRIPTION (◆ Indicates Parts Available in Assemblies Only) | PART # | QTY |
|------|--|-----------|-----|
| - | DRIVEN LOG LEVELLING ROLLER - LEFT W/CLAMP | 510607 | 1 |
| 1 | BRACKET, ROLLER RIGHT | 521588-1 | 1 |
| 2 | BRACKET, SIDE | 507684-1 | 1 |
| 3 | ROLLER WELDMENT, DRIVEN LOG LEVELLING | 096028-1 | 1 |
| 4 | BRACKET, SIDE | 507687-1 | 1 |
| 5 | BRACKET WELDMENT, ROLLER | 520099-1 | 1 |
| 6 | WASHER, 13 FLAT ZINC | F81056-1 | 21 |
| 7 | BEARING, 6009.2RSR (FAG) | 096025 | 2 |
| 8 | RING, W 75 INSIDE RETAINING | F81090-41 | 2 |
| 9 | PLATE, HYDRAULIC MOTOR MOUNT | 096030-1 | 1 |
| 10 | WASHER, Z 10.2 SPLIT LOCK ZINC | F81055-2 | 8 |
| 11 | BOLT, 3/8-16X1 HHC | F05007-7 | 4 |
| 12 | WASHER, 10.5 FLAT ZINC | F81055-1 | 4 |
| 13 | NUT, M10-8-B HEX NYLON ZINC LOCK | F81033-1 | 4 |
| 14 | BOLT, M10X50-8.8 HEX HEAD FULL THREAD ZINC | F81003-4 | 4 |
| 15 | MOTOR, MG06-13-13AAAB HYDRAULIC | P21506 | 1 |
| - | CYLINDER, HYDRAULIC TOE BOARD | 085937 | 1 |
| 16 | CYLINDER, CJ-S170-16-40/25/152 HYDRAULIC | 088681 | 1 |
| 17 | FITTING, 1/4NPTX1/4JIC MALE ELBOW | P09142 | 1 |
| 18 | FITTING, 1/4NPTX1/4JIC MALE | P09143 | 1 |
| 19 | RING, Z 45 OUTSIDE RETAINING | F81090-32 | 2 |
| 20 | WASHER, 28 FLAT ZINC | F81061-1 | 2 |
| 21 | PIN, 25.4X84 | 086979 | 1 |
| 22 | NUT, M12 8 HEX NYLON ZINC LOCK | F81034-2 | 11 |
| 23 | ROD, CONNECTION | 096034 | 1 |
| 24 | KEY, A8X7X28 PARALLEL | 096035 | 2 |
| 25 | WASHER, 10.5 SPECIAL FLAT ZINC | F81055-6 | 2 |
| 26 | BOLT, M10X25 8.8 HEX HEAD FULL THREAD | F81003-31 | 2 |



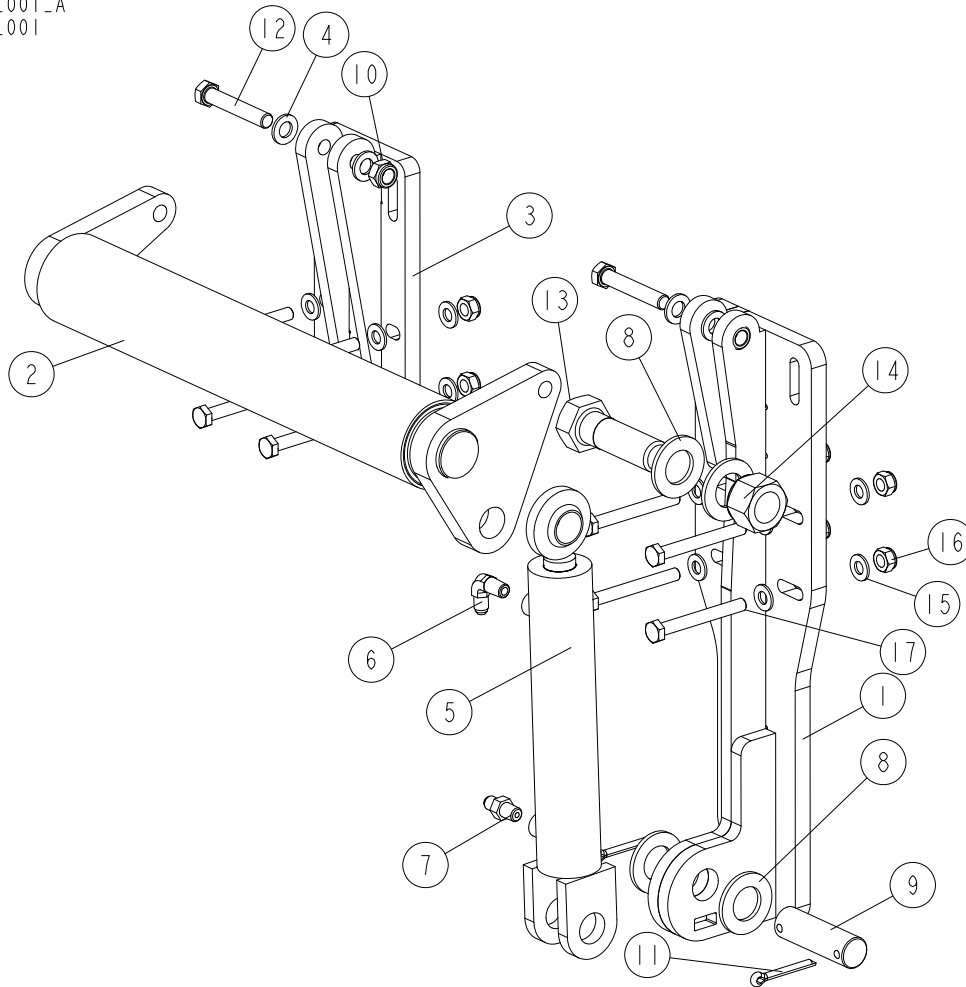
HYDRAULIC SYSTEM

Driven Log Levelling Roller, Lower Bed Rail (Option)

| REF. | DESCRIPTION (◆ Indicates Parts Available in Assemblies Only) | PART # | QTY | |
|------|--|-----------|-----|--|
| 27 | GUARD, HYDRAULIC MOTOR | 507690-1 | 1 | |
| 28 | PIN, S-ZN-6.3X45 COTTER | F81045-2 | 2 | |
| 29 | SCREW, M6X20-5.8-B SLOTTED COUNTERSUNK HEAD ZINC | F81001-31 | 2 | |
| 30 | FITTING, 1/2-14NPT/ 7/16-20UNF STRAIGHT W/MALE THREAD | 096919 | 2 | |
| 31 | BOLT, M12X70-8.8 HEX HEAD ZINC | F81004-39 | 2 | |
| 32 | BOLT, M12X90 8.8 HEX HEAD ZINC | F81004-2 | 8 | |

9.30 Left Hydraulic Toe Board (mounted on lower bed rail)

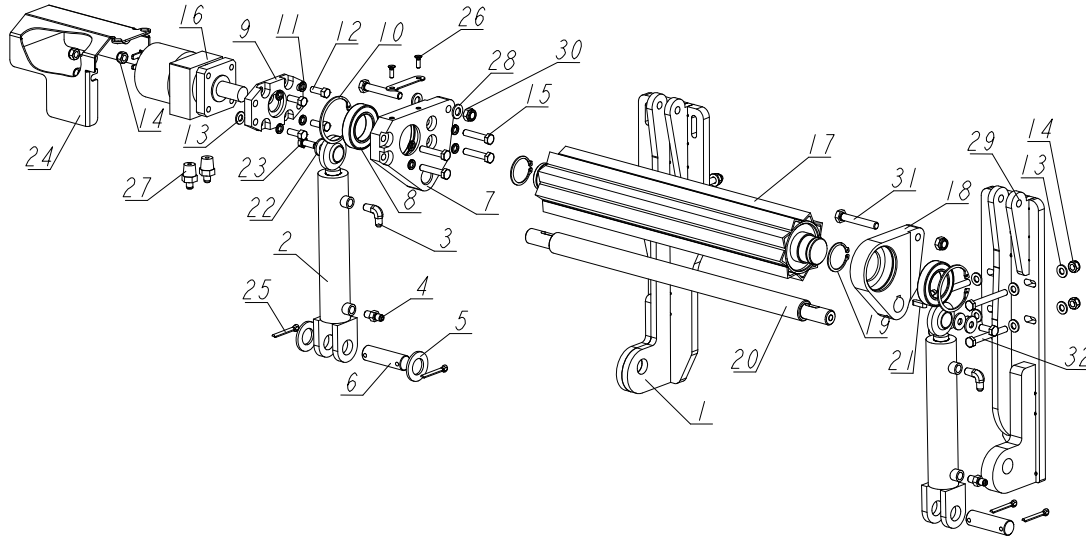
519735_001-A
519735_001



| REF. | DESCRIPTION (◆ Indicates Parts Available in Assemblies Only) | PART # | QTY |
|------|---|------------|-----|
| - | ROLLER, LEFT HYDRAULIC TOE BOARD (MOUNTED ON LOWER BED RAIL) | 519735 | 1 |
| 1 | BRACKET WELDMENT, HYDRAULIC CYLINDER MOUNT (LEFT) | 521586-1 | 1 |
| 2 | ROLLER WELDMENT, HYDRAULIC TOE BOARD | 086253-1 | 1 |
| 3 | BRACKET WELDMENT, ROLLER | 520099-1 | 1 |
| 4 | WASHER, 13 FLAT ZINC | F81056-1 | 28 |
| - | CYLINDER ASSEMBLY, HYDRAULIC TOE BOARD | 085937 | 1 |
| 5 | CYLINDER, CJ-S170-16-40/25/152 HYDRAULIC | 088681 | 1 |
| 6 | FITTING, 1/4NPTX1/4JIC MALE ELBOW | P09142 | 1 |
| 7 | FITTING, 1/4NPTX1/4JIC MALE | P09143 | 1 |
| 8 | WASHER, 28 FLAT ZINC | F81061-1 | 4 |
| 9 | PIN, HYDRAULIC CYLINDER ZINC-PLATED | 086979-1 | 1 |
| 10 | NUT, M12 8 HEX NYLON ZINC LOCK | F81034-2 | 14 |
| 11 | PIN, S-ZN-6.3X45 COTTER | F81045-2 | 2 |
| 12 | BOLT, M12X70-8.8 HEX HEAD ZINC | F81004-39 | 2 |
| 13 | BOLT, M12X90 8.8 HEX HEAD ZINC | F81004-2 | 12 |
| 14 | BOLT, 1-8X3 1/4 HH GR5 | F05009-51 | 1 |
| 15 | NUT, 1-8 HEX NYLON LOCK ZINC | F05010-109 | 1 |

9.31 Driven Log Levelling Roller, Right w/2 Cylinders (Option)

526160_001_A
526160_MANUAL

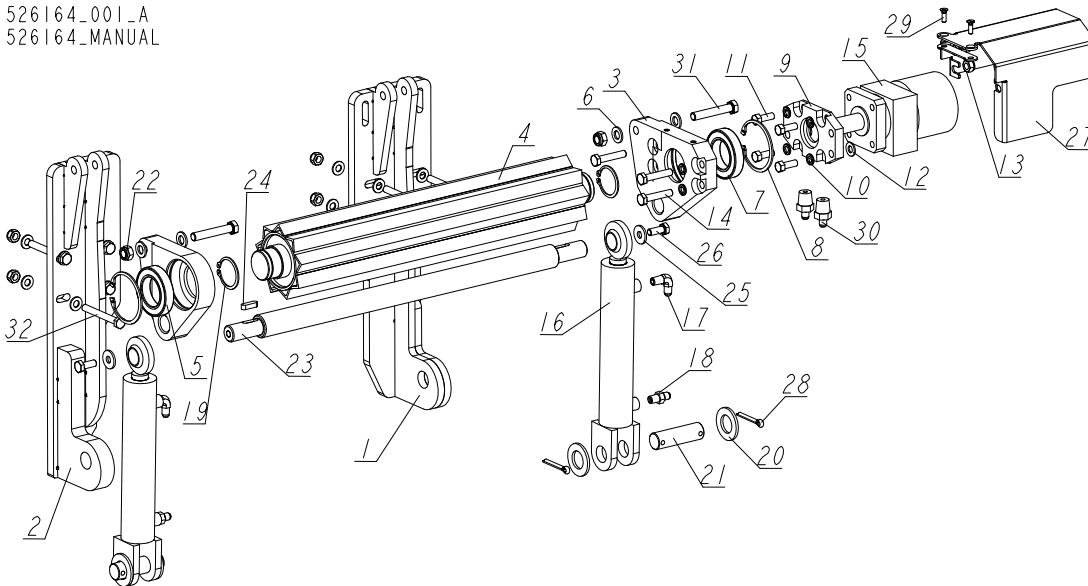


| REF. | DESCRIPTION (* Indicates Parts Available in Assemblies Only) | PART # | QTY |
|------|--|-----------|-----|
| - | ROLLER, DRIVEN LOG LEVELLING - RIGHT W/2 CYLINDERS | 526160 | 1 |
| 1 | BRACKET WELDMENT, CYLINDER MOUNT (RIGHT) | 521585-1 | 1 |
| 2 | BRACKET, SIDE W/HYDRO MOTOR CONNECTOR | 096029-1 | 1 |
| 3 | BEARING, 6009.2RSR (FAG) ROLLING | 096025 | 2 |
| 4 | PLATE, HYDRAULIC MOTOR MOUNT | 096030-1 | 1 |
| 5 | RING, W 75 INSIDE RETAINING | F81090-41 | 2 |
| 6 | WASHER, Z 10.2 SPLIT LOCK ZINC | F81055-2 | 8 |
| 7 | BOLT, 3/8-16X1 HEX HEAD | F05007-7 | 4 |
| 8 | WASHER, 10.5 FLAT ZINC | F81055-1 | 4 |
| 9 | NUT, M10-8-B HEX NYLON ZINC LOCK | F81033-1 | 4 |
| 10 | BOLT, M10X50-8.8 HEX HEAD FULL THREAD ZINC | F81003-4 | 4 |
| 11 | MOTOR, MG06-13-13AAAB HYDRAULIC | P21506 | 1 |
| 12 | ROLLER WELDMENT, DRIVEN LOG LEVELLING | 096028-1 | 1 |
| - | CYLINDER, HYDRAULIC TOE BOARD | 085937 | 2 |
| 13 | CYLINDER, CJ-S170-16-40/25/152 HYDRAULIC | 088681 | 1 |
| 14 | FITTING, 1/4NPTX1/4JIC MALE ELBOW | P09142 | 1 |
| 15 | FITTING, 1/4NPTX1/4JIC MALE | P09143 | 1 |
| 16 | BRACKET, SIDE | 096031-1 | 1 |
| 17 | WASHER, 28 FLAT ZINC | F81061-1 | 2 |
| 18 | PIN, HYDRAULIC CYLINDER ZINC-PLATED | 086979-1 | 2 |
| 19 | RING, Z 45 OUTSIDE RETAINING | F81090-32 | 2 |
| 20 | ROD, CONNECTION | 520349 | 1 |
| 21 | KEY, A8X7X28 PARALLEL | 096035 | 2 |
| 22 | WASHER, 10.5 SPECIAL FLAT ZINC | F81055-6 | 3 |
| 23 | BOLT, M10X25 8.8 HEX HEAD FULL THREAD | F81003-31 | 2 |
| 24 | GUARD, HYDRAULIC MOTOR | 096037-1 | 1 |
| 25 | PIN, S-ZN-6.3X45 COTTER | F81045-2 | 4 |

| REF. | DESCRIPTION (* Indicates Parts Available in Assemblies Only) | PART # | QTY | |
|-------------|---|---------------|------------|--|
| 26 | SCREW, M6X20-5.8-B SLOTTED COUNTERSUNK HEAD ZINC | F81001-31 | 2 | |
| 27 | FITTING, 1/2-14NPT/ 7/16-20UNF STRAIGHT W/MALE THREAD | 096919 | 2 | |
| 28 | WASHER, 13 FLAT ZINC | F81056-1 | 20 | |
| 29 | BRACKET WELDMENT, CYLINDER MOUNT | 526162-1 | 1 | |
| 30 | NUT, M12 8 HEX NYLON ZINC LOCK | F81034-2 | 10 | |
| 31 | BOLT, M12X75-8.8 HEX HEAD FULL THREAD ZINC | F81004-10 | 2 | |
| 32 | BOLT, M12X90 8.8 HEX HEAD ZINC | F81004-2 | 8 | |

9.32 Driven Log Levelling Roller, Left w/2 Cylinders

526164_001_A
526164_MANUAL



| REF. | DESCRIPTION (* Indicates Parts Available in Assemblies Only) | PART # | QTY |
|------|--|-----------|-----|
| - | ROLLER, DRIVEN LOG LEVELLING - LEFT W/2 CYLINDERS | 526164 | 1 |
| 1 | BRACKET WELDMENT, HYDRAULIC CYLINDER MOUNT (LEFT) | 521586-1 | 1 |
| 2 | BRACKET WELDMENT, HYDRAULIC CYLINDER MOUNT | 526150-1 | 1 |
| 3 | BRACKET, SIDE W/HYDRO MOTOR CONNECTOR | 507684-1 | 1 |
| 4 | ROLLER WELDMENT, DRIVEN LOG LEVELLING | 096028-1 | 1 |
| 5 | BRACKET, SIDE | 507687-1 | 1 |
| 6 | WASHER, 13 FLAT ZINC | F81056-1 | 4 |
| 7 | BEARING, 6009.2RSR (FAG) ROLLING | 096025 | 2 |
| 8 | RING, W 75 INSIDE RETAINING | F81090-41 | 2 |
| 9 | PLATE, HYDRAULIC MOTOR MOUNT | 096030-1 | 1 |
| 10 | WASHER, Z 10.2 SPLIT LOCK ZINC | F81055-2 | 8 |
| 11 | BOLT, 3/8-16X1 HH | F05007-7 | 4 |
| 12 | WASHER, 10.5 FLAT ZINC | F81055-1 | 20 |
| 13 | NUT, M10-8-B HEX NYLON ZINC LOCK | F81033-1 | 4 |
| 14 | BOLT, M10X50-8.8 HEX HEAD FULL THREAD ZINC | F81003-4 | 4 |
| 15 | MOTOR, MG06-13-13AAAB HYDRAULIC | P21506 | 1 |
| - | CYLINDER, HYDRAULIC W/FITTINGS | 085937 | 2 |
| 16 | CYLINDER, CJ-S170-16-40/25/152 HYDRAULIC | 088681 | 1 |
| 17 | FITTING, 1/4NPTX1/4JIC MALE ELBOW | P09142 | 1 |
| 18 | FITTING, 1/4NPTX1/4JIC MALE | P09143 | 1 |
| 19 | RING, Z 45 OUTSIDE RETAINING | F81090-32 | 2 |
| 20 | WASHER, 28 FLAT ZINC | F81061-1 | 4 |
| 21 | PIN, 25.4X84 | 086979 | 2 |
| 22 | NUT, M12 8 HEX NYLON ZINC LOCK | F81034-2 | 10 |
| 23 | ROD, CONNECTION | 520349 | 1 |
| 24 | KEY, A8X7X28 PARALLEL | 096035 | 2 |
| 25 | WASHER, 10.5 SPECIAL FLAT ZINC | F81055-6 | 2 |
| 26 | BOLT, M10X25 8.8 HEX HEAD FULL THREAD | F81003-31 | 2 |
| 27 | GUARD, HYDRAULIC MOTOR | 507690-1 | 1 |

| REF. | DESCRIPTION (* Indicates Parts Available in Assemblies Only) | PART # | QTY | |
|------|--|-----------|-----|--|
| 28 | PIN, S-ZN-6.3X45 COTTER | F81045-2 | 2 | |
| 29 | SCREW, M6X20-5.8-B SLOTTED COUNTERSUNK HEAD ZINC | F81001-31 | 2 | |
| 30 | FITTING, 1/2-14NPT/ 7/16-20UNF STRAIGHT W/MALE THREAD | 096919 | 2 | |
| 31 | BOLT, M12X70-8.8 HEX HEAD ZINC | F81004-39 | 2 | |
| 32 | BOLT, M12X90 8.8 HEX HEAD ZINC | F81004-2 | 8 | |